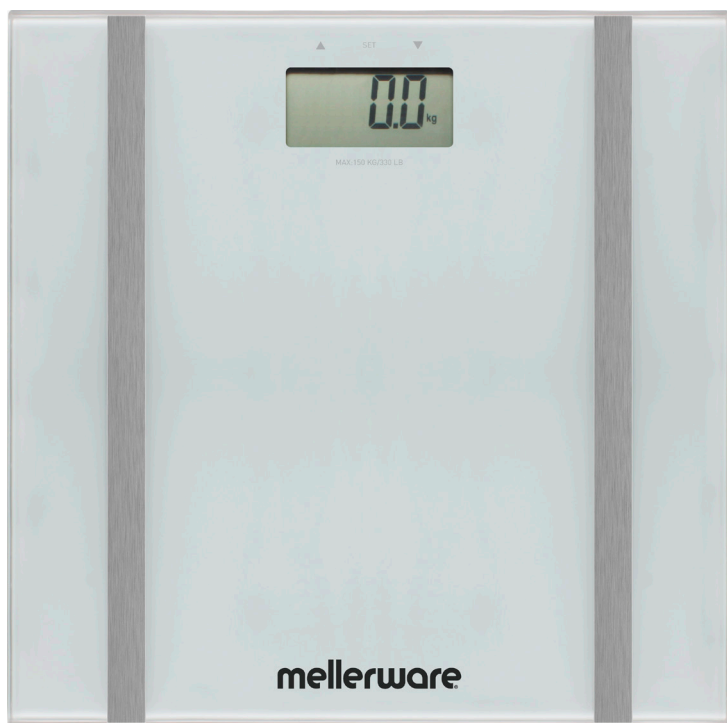


mellerware®

makes life easier

BODYMAX 3V **Electronic bathroom scale**



complies with
INTERNATIONAL
IEC60335
SAFETY SPECIFICATIONS

m
3V

2 YEAR
WARRANTY

Model:
20551A

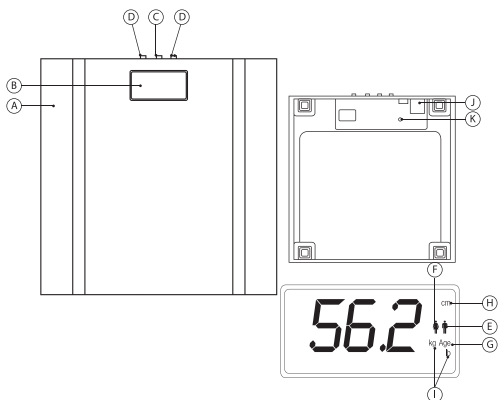
2 YEAR
WARRANTY
**1 YEAR RETAIL &
1 YEAR EXTENDED**



Register online: www.mellerware.co.za

Dear customer,

Thank you for choosing to purchase a Mellerware brand product. Thanks to its technology, design and operation and the fact that it exceeds the strictest quality standards, a fully satisfactory use and long product life can be assured.



1. Parts description

- A. Platform
- B. LCD screen
- C. Set button
- D. Up/down buttons
- E. Male symbol
- F. Female symbol
- G. Age symbol
- H. Height symbol
- I. Kilogram/pounds symbol
- J. Battery compartment lid
- K. Weight unit selector button

How body fat scales work and why it's important

Body fat scales are one of the most convenient ways to measure your body fat percentage. The Mellerware BodyMax Health scale uses a technique called Bio-electrical Impedance Analysis (or BIA for short). Very simply, a small and completely harmless electrical current is passed through your body. The electrical current passes more quickly through fat free tissue, like muscle, than it does through fat or bone tissue. So the amount of resistance to the electrical current relates to how much fat-free mass a person has and their body density.

Like all body fat tests, BodyMax Health scale does not actually measure your body fat percentage. They determine your body density. The examiner (or the BodyMax Health) then uses a formula to calculate

body fat percentage based on body density.

These formulas just predict your body fat. Unfortunately there is no one formula that accurately predicts body fat for the whole population. Differences in age, gender, ethnicity, body size, and fitness level all have a significant effect on the results as long as they can accurately monitor changes in your body composition over time, that's all you need. Your body position, the amount of water in your body, your food intake, skin temperature and recent physical activity can all adversely affect the results of body fat scales.

To achieve accurate, consistent results, you must standardize the way you perform each test. That simply means making each test with your Body- Max Health scale as similar as possible.

The great thing about BodyMax Health scale is that standardising each test is easy to do. Check out the Top Tips to get the most from your Body- Max Health scale.

Top Tips when using your BodyMax Health Scale

- Remember to use the Bodymax scale with bare feet in order for the BIA function to work correctly.
- Use the BodyMax Health Scale to measure your progress only. Don't compare your body fat percentage to anyone else's score.
- Measure out and drink some water one hour before you test yourself. Make sure you always drink the same amount of water one hour before you test yourself.
- Measure yourself at the same time of day for each test. Your skin temperature affects the electrical current used by the BodyMax Health scale. It's difficult but try to test yourself in a similar room temperature each time.
- Don't test yourself after exercising. When you exercise you sweat and when you sweat you lose water. This affects your hydration levels and therefore the results.
- Thoroughly clean the foot pads, preferably with alcohol and then dry them off each time you test.

2. Safety advice and warnings!

Read these instructions carefully before switching on the appliance and keep them for future reference. Failure to follow and observe these instructions could lead to an accident. Clean all the parts of the product that will be in contact with food, as indicated in the

cleaning section, before use.

2.1. Working environment:

2.1.1. Place the appliance on a horizontal, hard, rigid, flat, stable surface that is free from vibrations.

2.1.2. Avoid any contact of the weighing area with objects not to be weighed. Otherwise, it will not show the right weight.

2.2. Personal safety:

2.2.1. Do not use the appliance with wet feet.

2.2.2. Always use the appliance with bare feet -remove any socks or shoes

2.3. Use and care:

2.3.1. Do not move the appliance while in use.

2.3.2. Do not overload the appliance's weight capacity.

2.3.3. Remove the batteries from the appliance if you are not going to use it for a while.

2.3.4. This appliance is not for professional or industrial or medical/hospital use, it is intended for household use only.

2.3.5. Children should be supervised to ensure that they do not play with the appliance.

2.3.6. This appliance is not intended for use by persons (including children) with reduced physical, sensory or mental capabilities, or lack of experience and knowledge, unless they have been given supervision or instruction concerning use of the appliance by a person responsible for their safety.

2.3.7. This appliance should be stored out of reach of children and/or the disabled.

2.3.8. Do not store the appliance in a vertical position.

2.3.9. **CAUTION:** Do not use the appliance if the glass is cracked or broken.

2.3.10. Any misuse or failure to follow the instructions for use renders the guarantee and the manufacturer's liability null and void.

2.4. Assembling the battery/s

Caution:

2.4.1. During the handling of batteries, do not touch both poles at the same time, as this will provoke the partial discharge of the stocked energy therefore affecting longevity.

2.4.2. Remove the cover of the battery compartment.

2.4.3. Check that the plastic covering that protects the battery has been removed (some batteries are sold with a protective covering)

2.4.4. Put the battery in its compartment. Caution: During the handling of batteries, do not touch both poles at the same time, as this will provoke the partial discharge of the stocked energy therefore affecting longevity.

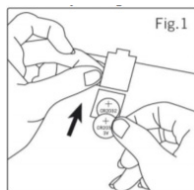
2.4.5. Replace the cover of the battery compartment.

2.4.6. It is essential that the batteries should always be the same kind and the same charge. Never mix alkaline batteries with normal one (Carbon- Zinc) and/or rechargeable ones.

2.4.7. N.B. When changing the batteries, the configuration of the appliance will be removed, and you will need to reset the parameters of the appliance.

2.5. Battery assemble

2.5.1. Insert the Lithium batteries (Included). See figure 1 (Note: Make sure battery is pushed all the way into its slot). Also make sure the "+" side of the battery is facing out.



3. Instructions for use

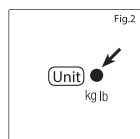
3.1. Before use:

3.1.1. Prepare the appliance according to the function you wish to use:

3.1.2. Weighing units' selector Kg/Lb.

3.1.3. The appliance has a selector of weighing units; put the selector in the position according to those units you want to work with. (KG/Lb) use:

3.1.4. To do so, press the "unit" button, the measuring unit selected will then be shown on screen one after the other.



3.2. Normal weighing system:

3.2.1. Gently press the surface of the scale with your foot to switch it on and wait for the screen to show “8888”, then wait until “0,0” appears on the screen.

3.2.2. Place yourself in the centre of the platform avoiding abrupt movements and without touching other objects, until the appliance shows your weight.

3.3. To measure Water, Bone and Muscle you need to enter your personal settings.

3.3.1. Gently press the surface of the scale with your foot to switch it on.

3.3.2. Press the Set button and use Up/down button to find the memory number under which you wish to save your personal data (9 memories available P01-P9). Then press the Set button to confirm your choice.

3.3.3. Select male or female by using up/down buttons and confirming by pressing Set button.

3.3.4. Log in your age using the up/down buttons and confirming by using Set button.

3.3.5. Log in your height using the up/down buttons and confirming by using Set button. Note you can also use the unit selector button under the scale to select height measure (Inches /Centimetre CM). These steps can be repeated to program the remaining 9 memories if desired.

3.3.6. Once you have set your profile, press the “set” button and select your profile. Your saved data will briefly flash onto the screen of the scale.

3.3.7. Place down the scale and place your body at the centre on top of the metal sensors. Remember to be bare feet.

3.3.8. Remain still on the scale while the scale is calculating. The scale will show flashing “000” while busy calculating. Once done, the scale will flash results in the following sequence:

3.3.9. Body Fat %, Body Water % (Hydration), Bone % and Muscle %. See below the icons displayed on the scale. The results will repeatedly flash 3 times and then the scale will switch off.

3.4. Programming personal data:

3.4.1. Gently press the surface of the scale with your foot to switch it on.

3.4.2. Press the Set button and use Up/down button to find the memory number under which you wish to save your personal data (9 memories available). Then

press the Set button to confirm your choice.

3.4.3. Select the weight unit using the Up/buttons and confirming the chosen option by pressing the Set button.

3.4.4. Select male or female by using up/down buttons and confirming by pressing Set button.

3.4.5. Log in your age using the up/down buttons and confirming by using Set button.

3.4.6. Log in your height using the up/down buttons and confirming by using Set button. These steps can be repeated to program the remaining 8 memories if desired. These steps can be repeated to program the remaining 8 memories if desired.

3.4.7. Once you have set your profile, press the “set” button and select your profile. Your saved data will briefly flash onto the screen of the scale.

3.4.8. Place down the scale and place your body at the centre on top of the metal sensors. Remember to be bare feet.

3.4.9. Remain still on the scale while the scale is calculating. The scale will show flashing “000” while busy calculating. Once done, the scale will flash results in the following sequence:

3.4.10. Body Fat %, Body Water % (Hydration), Bone % and Muscle %. See below the icons displayed on the scale. The results will repeatedly flash 3 times and then the scale will switch off.



Left icons

1. Body Fat %
2. Water/Hydration %
3. Bone %
4. Muscle %

Please note, the scale will also use one of the following descriptions as per the results:

1. Under fat
2. Healthy
3. Over fat
4. Obese

3.5. Calculate percentage body fat:

3.5.1. This appliance has the built-in option to calculate the percentage of your body fat by using bioelectrical impedance techniques.

3.5.2. This analysis measures the different conductivity between the muscle mass and body mass formed by fat cells using very low-intensity electrical micro current that runs through the lower members of the body.

3.5.3. The percentage body weight is calculated using the procedure described above and also involves the following variables: height, age, gender and weight.

3.5.4. Optimum results according to standards generally applied to adults:

3.5.5. Men: 14 – 24%

3.5.6. Women: 20 – 30%

BODY FAT RANGES							
Male	Age	10-20	20-30	30-40	40-50	50-60	60-99
	Underweight	<10%	<11%	<13%	<14%	<15%	<16%
	Healthy	10-18%	11-19%	13-21%	14-22%	15-23%	16-24%
Female	Overweight	>18%	>19%	>21%	>22%	>23%	>24%
	Age	10-20	20-30	30-40	40-50	50-60	60-99
	Underweight	<15%	<15%	<17%	<18%	<19%	<19%
Female	Healthy	15-23%	15-23.5%	17-25%	18-26%	19-27%	19-27%
	Overweight	>23%	>23%	>25%	>26%	>27%	>27%

- Any results below these indicators are considered underweight and higher than these are considered overweight.
- In the event of doubt, consult your doctor or pharmacist for clarification.

System for measuring percentage body fat

- Gently press the surface of the scale with your foot to switch it on.
- Use the up/down buttons to access the memory code under which your personal data have already been saved.
- Wait a few seconds until your personal data appears on screen briefly – Gender, age, height and weight unit.
- Wait for the display to show “0,0kg” and then the scale is ready for use.
- Place yourself in the centre of the platform avoiding abrupt movements and without touching other objects, until the appliance shows your weight.
- Do not move and the percentage body fat will be displayed on screen.
- After stepping down the “Auto shutdown” system will turn off automatically

Automatic disconnection function:

(Stand-by):

- In order to save energy, the appliance passes to stand-by after few seconds if the user does not use it.
- To return to normal operation simply press lightly on the weighing platform and wait for the screen to show “0.0”.

Once you have finished using the appliance:

- Remove the battery from the appliance if you are not intending to use the appliance during an extended period.

Special messages:

- The following messages can appear on the screen:
- EEEE: means that the appliance’s capacity has been exceeded
- Er: means that there’s an error in the body fat percentage measurement.
- Lo: means that the battery has to be changed/recharged.

Cleaning:

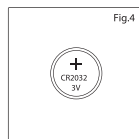
- Clean the equipment with a damp cloth with a few drops of washing-up liquid and then dry.
- Do not use solvents, or products with an acid or base pH such as bleach, or abrasive products, for cleaning the appliance.
- Never submerge the appliance in water or any other liquid or place it under running water.

Supplies:

Only the following type of supplies must be used with the appliance (Fig. 4)

Battery type: 3V CR2032

These supplies are available in the majority of retail stores.



Repair:

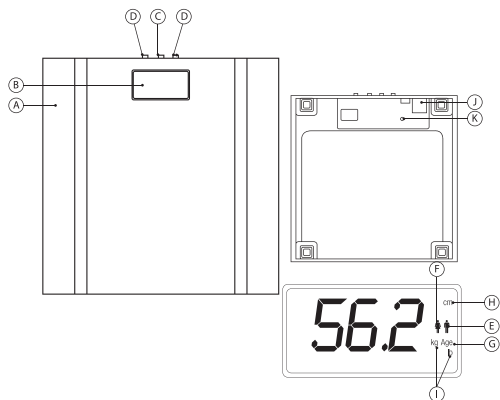
- Take the appliance to an authorised technical support service if the product is damaged or other problems arise.
- Do not try to dismantle or repair as this may be dangerous
- If the connection to the mains has been damaged, it must be replaced by an authorised service

AFRIKAANS HANDLEIDING

Geagte kliënt,

Baie dankie vir u keuse om 'n Taurus handelsmerk produk te koop.

Danksy die tegnologie, ontwerp en werking en die feit dat dit voldoen aan die strengste gehalte standaarde, is u verseker van 'n volle bevredigende gebruik en lang produklewe



1. Parte beskrywing

- A. Platform
- B. LCD skerm
- C. Stel knoppie
- D. Op/af knoppies
- E. Manlike simbool
- F. Vroulike simbool
- G. Ouderdom simbool
- H. Hoogte simbool
- I. Kilogram/ponde simbool
- J. Battery deksel
- K. Gewigseenheid seleksie knoppie

Hoe liggaamsvetskale werk en hoekom dit belangrik is

Liggaamsvetskale is een van die maklikste maniere om jou liggaamsvet persentasie te meet. Die Mellerware Bodymax Health skaal gebruik 'n tegniek genaamd Bio-electrical Impedance Analysis (of BIA vir kort). Baie eenvoudig, 'n klein en heeltemal onskadelike elektriese stroom gaan deur jou liggaam. Die elektriese stroom beweeg vinniger deur vetvrye weefsel, soos spiere, as wat dit deur vet of beenweefsel doen. Die hoeveelheid weerstand teen die elektriese stroom hou dus verband met hoeveel vetvrye massa 'n persoon het en hul liggaamsdigtheid. Soos alle liggaamsvettoetse, meet BodyMax Health-skaal nie jou liggaamsvetpersentasie nie. Hulle bepaal jou liggaamsdigtheid. Die eksaminator (of die BodyMax Health) gebruik dan 'n formule

om liggaamsvet persentasie te bereken gebaseer op liggaamsdigtheid. Hierdie formules voorspel net jou liggaamsvet. Ongelukkig is daar geen formules wat liggaamsvet vir die hele bevolking voorspel nie. Verskille in ouderdom, geslag, etnisiteit, liggaamsgrootte en fiksheidsvlak het almal 'n beduidende uitwerking op die resultate, solank hulle die veranderinge in jou liggaamsamestelling akkuraat kan monitor. Dit is alles wat jy nodig het. Jou liggaamsposisie die hoeveelheid water in jou liggaam, jou voedselinnome, veltemperatuur en onlangse fisiese aktiwiteit kan almal die resultate van liggaamsvetskale nadelig beïnvloed.

Om akkurate, konsekwente resultate te bereik, moet u die manier waarop u elke toets uitvoer, standaardiseer. Dit beteken eenvoudig om elke toets met jou Body-Max Health-skaal so soortgelyk as moontlik te maak. Die groot ding oor BodyMax Health skaal is dat die standaardisering van elke toets maklik is om te doen. Kyk na die Top Wenke om die beste uit jou Body-Max Health-skaal te kry.

Top wenke wanneer jy jou BodyMax Health Scale gebruik

- Onthou om die Bodymax-skaal met kaal voete te gebruik sodat die BIA-funksie korrek kan werk.
- Gebruik die BodyMax Health Scale om slegs jou vordering te meet. Moenie jou liggaamsvetpersentasie vergelyk met iemand anders se telling nie.
- Meet en drink 'n bietjie water een uur voordat jy jouself toets. Maak seker dat jy eendag dieselfde hoeveelheid water drink voordat jy jouself toets.
- Meet jouself op dieselfde tyd van die dag vir elke toets. Jou veltemperatuur beïnvloed die elektriese stroom wat deur die BodyMax Health-skaal gebruik word. Dit is moeilik, maar probeer om jouself elke keer in 'n soortgelyke kamertemperatuur te toets.
- Moenie jouself toets na oefening nie. Wanneer jy oefen, sweet jy en wanneer jy sweet, verloor jy water. Dit beïnvloed u hidrasie vlakke en dus die resultate.
- Maak die voetblokkies deeglik skoon, verkieslik met alkohol en droog hulle dan elke keer as jy toets.

2.1. Werksomgewing:

- 2.1.1. Plaas die apparaat op 'n horisontale, harde, stewige, plat, stabiele oppervlak wat vry is van vibrasies.
- 2.1.2. Vermoed kontak met die weegarea met voorwerpe wat nie geweeg moet word nie. Andersins, sal dit nie die regte gewig wys nie.

2.2. Persoonlike veiligheid:

- 2.2.1. Moenie gebruik met nat voete.

2.2.2. Die toestel moet sonder kouse en skoene gebruik word

2.3. Gebruik en sorg:

2.3.1. Moenie die toestel beweeg tydens gebruik.

2.3.2. Moenie die gewigsvermoe van die toestel oorlaai nie

Verwyder die battery as die toestel nie gebruik word nie

2.3.3. Hierdie toestel is nie vir professionele of industriële of mediese / hospitaal gebruik nie. Dit is slegs bedoel vir huishoudelike gebruik.

2.3.4. Kinders moet toesig gehou word om te verseker dat hulle nie met die toestel speel nie.

2.3.5. Hierdie toestel is nie bedoel vir gebruik deur persone (insluitend kinders) met verminderde fisiese, sensoriese of geestelike vermoëns, of gebrek aan ondervinding en kennis nie, tensy hulle onder toesig of instruksies aangaande die gebruik van die toestel deur 'n persoon wat verantwoordelik is vir hul veiligheid.

2.3.6. Hierdie toestel moet buite bereik van kinders en / of gestremdes gestoor word.

2.3.7. Moenie in vertikale posisie stoor nie

2.3.8. **VERSIGTIG:** Moenie gebruik as die glas gekraak of gebreek is nie.

2.3.9. Enige misbruik of versuim om die gebruiksaanwysings te volg, maak die waarborg en die aanspreeklikheid van die vervaardiger ongeldig

2.6. Versigtig:

2.6.1. Moenie albei pole terselfdertyd aanraak tydens die hantering van batterye nie, aangesien dit die gedeeltelike afvoer van die gevulde energie sal uitlok wat gevolglik die lewensduur beïnvloed.

2.6.2. Verwyder die deksel van die batterykompartement..

2.6.3. Maak seker dat die plastiekbedekking wat die battery beskerm, verwyder is (sommige batterye word met 'n beskermende bedekking verkoop)

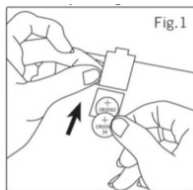
2.6.4. Plaas die battery in sy kompartement. Waarskuwing: Moenie albei pole terselfdertyd tydens die hantering van batterye aanraak nie, aangesien dit die gedeeltelike afvoer van die gevulde energie sal veroorsaak wat gevolglik die lewensduur beïnvloed

2.6.5. Sit die deksel terug

2.6.6. Dit is noodsaaklik dat die batterye altyd dieselfde soort en dieselfde lading moet wees. Moet nooit alkaliese batterye met normale een (Koolstof-sink) en / of herlaaibare batterye meng nie

N.B. Wanneer die batterye verander word, sal die konfigurasie van die toestel verwyder word, en u moet die parameters van die toestel herstel.

2.5. Battery



2.5.1. Plaas die lithium batterye (Ingesluit). Sien figuur 1 (Let wel: maak seker dat die battery heeltemal in sy gleuf gestoot word). Maak ook seker dat die “+” kant van die battery uitkyk.

3. Instruksies vir gebruik

3.1. Voor gebruik:

3.1.1. Berei die apparaat voor volgens die funksie wat u wil gebruik:

3.1.2. Weegeenhede selector Kg / Lb.

3.1.3. Die toestel het 'n seleksie van weegeenhede; plaas die selector in die posisie volgens die eenhede waarmee u wil werk. (KG / Lb) gebruik:

3.1.4. Om dit te doen, druk die “eenheid” -knoppie, die meeteenheid wat gekies word, word dan een keer na mekaar op die skerm getoon

3.2. Normaal weeg:

3.2.1. Druk liggies die oppervlak van die skaal met jou voet om dit aan te skakel en wag vir die skerm om “8888” te wys, dan wag totdat “0,0” op die skerm verskyn.

3.2.2. Plaas jouself in die middel van die platform en vermy vinnige bewegings en sonder om ander voorwerpe aan te raak totdat die toestel jou gewig wys.

3.3. Om water, bene en spiere te meet, moet u u persoonlike instellings invul.

3.3.1. Druk die oppervlak van die skaal saggies met jou voet om dit aan te skakel.

3.3.2. Druk die Set-knoppie en gebruik die op / af knoppie om die geheue nommer te vind waaronder jy jou persoonlike data wil stoor (10 herinneringe beskikbaar

P01-P10). Druk dan die Set-knoppie om jou keuse te bevestig.

Kies mans of vrouens deur op- en afknoppies te gebruik en te bevestig deur op Set-knoppie te druk.

3.3.3. Teken jou ouderdom aan deur gebruik te maak van die op / af knoppies en bevestig deur die Set knoppie te gebruik.

3.3.4. Teken in jou hoogte met die op / af knoppies en bevestig deur die Set knoppie te gebruik. Let daarop dat

jy ook die eenheidskeuzeknoppie onder die skaal kan gebruik om die hoogte maat (cm "/>

3.3.5. Sodra jy jou profiel gestel het, druk die "stel" knoppie en kies jou profiel. Jou gestoorde data sal kortliks op die skerm van die skaal flits.

3.3.6. Sit die skaal neer en plaas jou liggaam in die middel bo-op die metaal sensors. Onthou om kaal voete te wees.

3.3.7. Bly steeds op die skaal terwyl die skaal bereken word. Die skaal sal flikkerende "000" vertoon terwyl jy besig is om te bereken. Sodra dit klaar is, sal die skaal flits resultate in die volgende volgorde:

3.3.8. Liggaamsvet%, Liggaamswater% (Hidrasie), Been

% en spier%. Kyk onder die ikone wat op die skaal vertoon word. Die resultate sal herhaaldelik 3 keer flikker en dan sal die skaal afskakel.

3.4.10. Liggaamsvet%, Liggaamswater% (Hidrasie), Been

3.4.11.% en spier%. Kyk onder die ikone wat op die skaal vertoon word. Die resultate sal herhaaldelik 3 keer flikker en dan sal die skaal afskakel



Ikone

1. Liggaamsvet %
2. Water Hidrasie %
3. Been %
4. Spiere %

3.4. Programming personal data:

3.4.1. Druk die oppervlak van die skaal saggies met jou voet om dit aan te skakel.

3.4.2. Druk die Set-knoppie en gebruik die op / af-knoppie om die geheue nommer te vind waaronder jy jou persoonlike data wil stoor (10 beskikbare herinneringe).

Druk dan die Set-knoppie om jou keuse te bevestig.

3.4.3. Kies die gewigseenheid met die op / knoppies en bevestig die gekose opsie deur op die Set-knoppie te druk.

3.4.4. Kies mannetjie of vroulik deur op- en afknoppies te gebruik en bevestig deur op Set-knoppie te druk.

3.4.5. Teken jou ouderdom aan deur gebruik te maak van die op / af knoppies en bevestig deur die Set knoppie te gebruik.

3.4.6. Teken in jou hoogte met die op / af knoppies en bevestig deur die Set knoppie te gebruik. Hierdie stappe kan herhaal word om die oorblywende 9 herinneringe te programmeer indien nodig. Hierdie stappe kan herhaal word om die oorblywende 9 herinneringe te programmeer indien nodig.

3.4.7. Sodra jy jou profiel gestel het, druk die "stel" knoppie en kies jou profiel. Jou gestoorde data sal kortliks op die skerm van die skaal flits.

3.4.8. Sit die skaal neer en plaas jou liggaam in die middel bo-op die metaal sensors. Onthou om kaal voete te wees.

3.4.9. Bly steeds op die skaal terwyl die skaal bereken word. Die skaal sal flikkerende "000" vertoon terwyl jy besig is om te bereken. Sodra dit klaar is, sal die skaal flits resultate in die volgende volgorde:

Please note, the scale will also use one of the following descriptions as per the results:

1. Under fat
2. Healthy
3. Over fat
4. Obese

3.5. Bereken persentasie liggaamsvet:

3.5.1. Hierdie toestel het die ingeboude opsie om die persentasie van jou liggaamsvet te bereken deur bio-elektriese impedansie tegnieke te gebruik.

3.5.2. Hierdie analise meet die verskillende geleidingsvermoë tussen die spiermassa en liggaamsmassa wat gevorm word deur vetselle deur gebruik te maak van 'n baie lae intensiteit elektriese mikrostrom wat deur die onderste lede van die liggaam loop.

3.5.3. Die persentasie liggaamsgewig word bereken volgens die prosedure hierbo beskryf en behels ook die volgende veranderlikes: lengte, ouderdom, geslag en gewig.

3.5.4. Optimale resultate volgens standarde wat algemeen toegepas word op volwassenes:

3.5.5. Mans: 14 – 24%

3.5.6. Vrouens: 20 – 30%

BODY FAT RANGES							
Male	Age	10-20	20-30	30-40	40-50	50-60	60-99
	Underweight	<10%	<11%	<13%	<14%	<15%	<16%
	Healthy	10-18%	11-19%	13-21%	14-22%	15-23%	16-24%
Female	Overweight	>18%	>19%	>21%	>22%	>23%	>24%
	Age	10-20	20-30	30-40	40-50	50-60	60-99
	Underweight	<15%	<15%	<17%	<18%	<19%	<19%
Female	Healthy	15-23%	15-23.5%	17-25%	18-26%	19-27%	19-27%
	Overweight	>23%	>23%	>25%	>26%	>27%	>27%

- Enige resultate onder hierdie aanwysers word as ondergewig en hoër beskou as dit oorgewig beskou word.
- In geval van twyfel, raadpleeg u dokter of apteker vir verduideliking.

Stelsel vir die meting van persentasie liggaamsvet

- Druk die oppervlak van die skaal saggies met jou voetom dit aan te skakel
- Gebruik die op / af knoppies om toegang te verkry tot die geheuekode waaronder u persoonlike data reeds gestoor is
- Wag 'n paar sekondes totdat u persoonlike data kortliks op die skerm verskyn - Geslag, ouderdom, lengte en gewig.
- Wag vir die vertoning "0,0kg" en dan dieskaal is gereed vir gebruik.
- Plaas jouself in die middel van die platform, vermy vinnige bewegings en sonder om ander voorwerpe aan te raak totdat die toestel jou gewig toon.
- Moenie beweeg nie en die persentasie liggaamsvet sal weesop die skerm vertoon.
- Nadat u die "Auto-afsluit" -stelsel gedruk

(Staan by):

- Om energie te bespaar, slaag die toestel na staan na enkele sekondes as die gebruiker dit nie gebruik nie.
- Om terug te keer na normale werking, druk liggies op die weegplatform en wag totdat die skerm "0.0" vertoon.

Na gebruik:

- Verwyder die battery uit die toestel as u nie die toestel oor 'n lang tydperk gaan gebruik nie.

Spesiale fout simbole:

- Die volgende boodskappe kan op die skerm verskyn:
- EEEE: beteken dat die toestel se kapasiteit het oorskry
- Er: beteken dat daar 'n fout in die liggaamsvet is persentasiemeting.
- Lo: beteken dat die battery verander moet word / herlaai.

skoonmaak:

- Maak die toerusting skoon met 'n klam lap met 'n paar druppels opswaasmiddel en dan droog.
- Moet nie oplosmiddels, of produkte met 'n suur of basis pH soos bleikmiddel of skuurprodukte gebruik vir die skoonmaak van die apparaat nie.
- Moet nooit die toestel in water of enige ander onderdompel nie

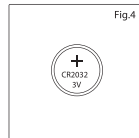
vloeibaar of plaas dit onder lopende water.

Slegs die volgende tipe toebehore moet in die toestel gebruik word (Figuur 4) battery Tipe: 3V CR2032 Hierdie voorrade is beskikbaar in die meeste kleinhandelwinkels diens

Ekologie en herwinbaarheid van die produk:

Die bestaan bestaan uit 'n versameling-, klassifikasie- en herwinningstelsel.

- As u dit wil verkoop, gebruik die toepaslike openbare herwinningsbakke vir elke tipe materiaal.
- Die produk bevat geen konsentrasies van stowwe wat as skadelik vir die omgewing beskou kan word nie.
- Hierdie toestel bevat, of kan bevat, olie.
- Onthou dat 'n mens moet voldoen aan die regulasies rakende die uitskakeling van hierdie tipe kontaminant.
- Hierdie simbool beteken dat indien u die produk wil verkoop, sodra die werkleefyd beëindig is, dit na 'n gemagtigde afvalmagent neem vir die selektiewe versameling van afval-elektriese en elektroniese toerusting (WEEE).
- Hierdie simbool beteken dat die produk 'n battery of batterye mag insluit; moet die gebruiker dit weer aanwend voordat die produk weggedoen word.
- Onthou dat batterye in behoorlik gemagtigde houers weggedoen moet word. Moet hulle nie in die vuur gooi nie.
- Hierdie simbool dui aan dat die skaal glad is wanneer dit nat is.

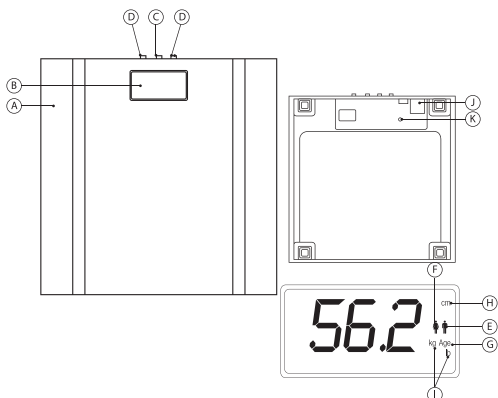


Herwinning:

As die produk batterye bevat, verwyder dit voordat die produk weggedoen word. Onthou dat batterye in behoorlik gemagtigde houers weggedoen moet word. Moet nie die batterye in 'n vuur wegdoen nie.

Estimado cliente,

Gracias por elegir comprar un producto de la marca Mellerware. Gracias a su tecnología, diseño y operación y al hecho de que supera los estándares de calidad más estrictos, se puede garantizar un uso totalmente satisfactorio y una larga vida útil del producto.



1. Descripción de las piezas

Una plataforma

B. pantalla LCD

C. botón de ajuste

D. Botones arriba / abajo

E .male simbolo

F. símbolo femenino

G. símbolo de la edad

H. símbolo de altura

I. Kilogramo / libras símbolo

J. tapa del compartimento de la batería

K. Botón selector de unidad de peso

Cómo funcionan las escalas de grasa corporal y por qué es importante

Las escalas de grasa corporal son una de las formas más convenientes para medir su porcentaje de grasa corporal. La escala de salud BodyMax de Mellerware utiliza una técnica llamada análisis de impedancia bioeléctrica (o BIA, por sus siglas en inglés). Muy simple, una pequeña corriente eléctrica completamente inofensiva pasa a través de su cuerpo. La corriente eléctrica pasa más rápidamente a través del tejido libre de grasa, como el músculo, que a través de la grasa o el tejido óseo.

Entonces, la cantidad de resistencia a la corriente eléctrica se relaciona con la cantidad de masa libre de grasa que tiene una persona y la densidad de su cuerpo. Al igual que todas las pruebas de grasa corporal, la escala BodyMax Health no mide su porcen-

taje de grasa corporal. Ellos determinan la densidad de su cuerpo. El examinador (o BodyMax Health) utiliza una fórmula para calcular el porcentaje de grasa corporal según la densidad corporal. Estas fórmulas solo predicen tu grasa corporal. Desafortunadamente, no existe una fórmula que predice con precisión la grasa corporal para toda la población. Las diferencias en edad, género, origen étnico, tamaño corporal y nivel de condición física tienen un efecto significativo en los resultados, siempre que puedan monitorear con precisión los cambios en la composición de su cuerpo con el tiempo, eso es todo lo que necesita. La posición de su cuerpo, la cantidad de agua en su cuerpo, la ingesta de alimentos, la temperatura de la piel y la actividad física reciente pueden afectar los resultados de las escalas de grasa corporal. Para lograr resultados precisos y consistentes, debe estandarizar la forma en que realiza cada prueba. Eso simplemente significa hacer que cada prueba con su escala Body-Max Health sea lo más similar posible. Lo mejor de la escala BodyMax Health es que es fácil estandarizar cada prueba. Consulte los mejores consejos para aprovechar al máximo su escala Body-Max Health.

Los mejores consejos al usar tu BodyMax Health Scale

- Recuerde usar la báscula Bodymax con los pies descalzos para que la función BIA funcione correctamente.
- Use la Escala de salud BodyMax para medir su progreso solamente. No compares tu porcentaje de grasa corporal con la puntuación de nadie más.
- Mida y beba un poco de agua una hora antes de ponerse a prueba. Asegúrese de beber siempre la misma cantidad de agua una hora antes de realizarse la prueba.
- Mídase a la misma hora del día para cada prueba. La temperatura de su piel afecta la corriente eléctrica utilizada por la báscula BodyMax Health. Es difícil, pero intente probarse en una temperatura ambiente similar cada vez.
- No te pongas a prueba después de hacer ejercicio. Cuando haces ejercicio sudas y cuando sudas pierdes agua. Esto afecta sus niveles de hidratación y por lo tanto los resultados.
- Limpie a fondo las almohadillas de los pies, preferiblemente con alcohol y luego séquelas cada vez que realice la prueba.

2. Consejos y advertencias de seguridad!

Lea atentamente estas instrucciones antes de

encender el aparato y guárdelo para futuras consultas. El incumplimiento y el cumplimiento de estas instrucciones podría provocar un accidente. Limpie todas las partes del producto que estarán en contacto con los alimentos, como se indica en la sección de limpieza, antes de usar.

2.1. Ambiente de trabajo:

- 2.1.1. Coloque el aparato sobre una superficie horizontal, dura, rígida, plana, estable y libre de vibraciones.
- 2.1.2. Evite cualquier contacto del área de pesaje con objetos que no se deben pesar. De lo contrario, no mostrará el peso correcto.

2.2. Seguridad personal:

- 2.2.1. No utilice el aparato con los pies mojados.
- 2.2.2. Siempre use el aparato con los pies descalzos - quite los calcetines o zapatos.

2.3. Uso y cuidado:

- 2.3.1. No mueva el aparato mientras esté en uso.
- 2.3.2. No sobrecargue la capacidad de peso del aparato.
- 2.3.3. Retire las baterías del aparato si no lo va a usar por un tiempo.
- 2.3.4. Este aparato no es para uso profesional o industrial o médico / hospitalario, está destinado únicamente para uso doméstico.
- 2.3.5. Los niños deben ser supervisados para asegurarse de que no jueguen con el aparato.
- 2.3.6. Este dispositivo no está destinado a ser utilizado por personas (incluidos niños) con capacidades físicas, sensoriales o mentales reducidas, o por falta de experiencia y conocimiento, a menos que hayan sido supervisados o instruidos sobre el uso del dispositivo por parte de una persona responsable de su seguridad.
- 2.3.7. Este aparato debe guardarse fuera del alcance de los niños y / o discapacitados.
- 2.3.8. No guarde el aparato en posición vertical.
- 2.3.9. PRECAUCIÓN: No utilice el aparato si el cristal está agrietado o roto.
- 2.3.10. Cualquier uso indebido o incumplimiento de las instrucciones de uso anulará la garantía y la responsabilidad del fabricante.

2.4. Montaje de la batería / s

Precaución:

- 2.4.1. Durante el manejo de las baterías, no toque ambos polos al mismo tiempo, ya que esto provocará la descarga parcial de la energía almacenada, lo que afectará la longevidad.
- 2.4.2. Retire la tapa del compartimiento de la batería.

2.4.3. Compruebe que se haya retirado la cubierta de plástico que protege la batería (algunas baterías se venden con una cubierta protectora)

2.4.4. Pon la batería en su compartimento.

Precaución:

Durante el manejo de las baterías, no toque ambos polos al mismo tiempo, ya que esto provocará la descarga parcial de la energía almacenada, lo que afectará la longevidad.

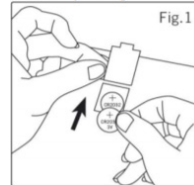
2.4.5. Vuelva a colocar la tapa del compartimento de la batería.

2.4.6. Es esencial que las baterías sean siempre del mismo tipo y con la misma carga. Nunca mezcle pilas alcalinas con una normal (Carbono-Zinc) y / o recargables.

2.4.7. nótese bien Al cambiar las baterías, se eliminará la configuración del dispositivo y deberá restablecer los parámetros del dispositivo.

2.5. Montaje de la batería

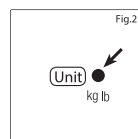
2.5.1. Inserte las baterías de litio (incluidas). Vea la figura 1 (Nota: asegúrese de que la batería esté completamente introducida en su ranura). También asegúrese de que el lado “+” de la batería esté hacia afuera.



3. Instrucciones de uso.

3.1. Antes de usar:

- 3.1.1. Prepare el aparato de acuerdo con la función que desee utilizar:
- 3.1.2. Selector de unidades de pesaje Kg / Lb.
- 3.1.3. El aparato dispone de un selector de unidades de pesaje; coloque el selector en la posición de acuerdo con las unidades con las que desea trabajar. (KG / Lb) uso:
- 3.1.4. Para hacerlo, presione el botón “unidad”, la unidad de medición seleccionada se mostrará en la pantalla una tras otra.



3.2. Sistema de pesaje normal:

3.2.1. Presione suavemente la superficie de la escala con el pie para encenderlo y espere a que la pantalla muestre "8888", luego espere hasta que aparezca "0,0" en la pantalla.

3.2.2. Colóquese en el centro de la plataforma evitando movimientos bruscos y sin tocar otros objetos, hasta que el aparato muestre su peso.

3.3. Para medir el agua, los huesos y los músculos, debe ingresar sus ajustes personales.

3.3.1. Presione suavemente la superficie de la escala con el pie para encenderla.

3.3.2. Presione el botón Configurar y use el botón Arriba / Abajo para encontrar el número de memoria con el que desea guardar sus datos personales (9 memorias disponibles P01-P9). Luego presione el botón Establecer para confirmar su elección.

3.3.3. Seleccione masculino o femenino usando los botones arriba / abajo y confirmando presionando el botón Establecer.

3.3.4. Inicie sesión en su edad con los botones arriba / abajo y confirme con el botón Establecer.

3.3.5. Inicie sesión en su altura con los botones arriba / abajo y confirme con el botón Establecer. Tenga en cuenta que también puede usar el botón selector de unidad debajo de la escala para seleccionar la medida de altura (Pulgadas / Centímetro CM).

Estos pasos se pueden repetir para programar las 9 memorias restantes si se desea.

3.3.6. Una vez que haya configurado su perfil, presione el botón "configurar" y seleccione su perfil. Sus datos guardados parpadearán brevemente en la pantalla de la escala.

3.3.7. Coloque la escala y coloque su cuerpo en el centro, sobre los sensores metálicos. Recuerda tener los pies descalzos.

3.3.8. Permanezca todavía en la escala mientras la escala está calculando. La escala mostrará el "000" parpadearante mientras se está calculando. Una vez hecho esto, la escala mostrará los resultados en la siguiente secuencia:

3.3.9. % De grasa corporal, % de agua corporal (hidratación), % de hueso y % muscular. Vea a continuación los iconos que se muestran en la escala. Los resultados parpadearán repetidamente 3 veces y luego la escala se apagará.

3.4. Programación de datos personales:

3.4.1. Presione suavemente la superficie de la escala con el pie para encenderla.

3.4.2. Presione el botón Configurar y use el botón

Arriba / Abajo para encontrar el número de memoria con el que desea guardar sus datos personales (9 memorias disponibles).

Luego presione el botón Establecer para confirmar su elección.

3.4.3. Seleccione la unidad de peso con los botones Arriba / y confirmando la opción elegida presionando el botón Establecer.

3.4.4. Seleccione masculino o femenino usando los botones arriba / abajo y confirmando presionando el botón Establecer.

3.4.5. Inicie sesión en su edad con los botones arriba / abajo y confirme con el botón Establecer.

3.4.6. Inicie sesión en su altura con los botones arriba / abajo y confirme con el botón Establecer. Estos pasos se pueden repetir para programar las 8 memorias restantes si se desea. Estos pasos se pueden repetir para programar las 8 memorias restantes si se desea.

3.4.7. Una vez que haya configurado su perfil, presione el botón "configurar" y seleccione su perfil. Sus datos guardados parpadearán brevemente en la pantalla de la escala.

3.4.8. Coloque la escala y coloque su cuerpo en el centro, sobre los sensores metálicos. Recuerda tener los pies descalzos.

3.4.9. Permanezca todavía en la escala mientras la escala está calculando. La escala mostrará el "000" parpadearante mientras se está calculando. Una vez hecho esto, la escala mostrará los resultados en la

siguiente secuencia:

3.4.10. % De grasa corporal, % de agua corporal (hidratación), % de hueso y % muscular. Vea a continuación los iconos que se muestran en la escala. Los resultados parpadearán repetidamente 3 veces y luego la escala se apagará.



Iconos de la izquierda

1. % de grasa corporal
2. Agua / Hidratación%
3. % de hueso
4. Muscle%

Tenga en cuenta que la escala también utilizará una de las siguientes descripciones según los resultados:

1. bajo grasa
2. Saludable
3. Sobre la grasa
4. obeso

3.5. Calcular porcentaje de grasa corporal:

3.5.1. Este dispositivo tiene la opción incorporada para calcular el porcentaje de grasa corporal mediante el uso de técnicas de impedancia bioeléctrica.

3.5.2. Este análisis mide la conductividad diferente entre la masa muscular y la masa corporal formada por las células de grasa utilizando una micro corriente eléctrica de muy baja intensidad que recorre los miembros inferiores del cuerpo.

3.5.3. El porcentaje de peso corporal se calcula utilizando el procedimiento descrito anteriormente y también incluye las siguientes variables: altura, edad, género y peso.

3.5.4. Resultados óptimos según estándares generalmente aplicados a adultos:

3.5.5. Hombres: 14 - 24%

3.5.6. Mujeres: 20 - 30%.

BODY FAT RANGES							
	Age	10-20	20-30	30-40	40-50	50-60	60-99
Male	Underweight	<10%	<11%	<13%	<14%	<15%	<16%
	Healthy	10-18%	11-19%	13-21%	14-22%	15-23%	16-24%
	Overweight	>18%	>19%	>21%	>22%	>23%	>24%
Female	Age	10-20	20-30	30-40	40-50	50-60	60-99
	Underweight	<15%	<15%	<17%	<18%	<19%	<19%
	Healthy	15-23%	15-23.5%	17-25%	18-26%	19-27%	19-27%
	Overweight	>23%	>23%	>25%	>26%	>27%	>27%

• Cualquier resultado por debajo de estos indicadores se considera infraponderado y más alto que estos se considera sobrepeso.

• En caso de duda, consulte a su médico o farmacéutico para obtener aclaraciones.

Sistema para medir el porcentaje de grasa corporal.

• Presione suavemente la superficie de la escala con el pie para encenderla.

• Use los botones arriba / abajo para acceder al código de memoria en el que ya se guardaron sus datos personales.

• Espere unos segundos hasta que sus datos personales aparezcan brevemente en la pantalla: unidad de género, edad, altura y peso.

• Espere a que la pantalla muestre "0,0 kg" y luego la báscula está lista para usar.

• Colóquese en el centro de la plataforma evitando movimientos bruscos y sin tocar otros objetos, hasta que el aparato muestre su peso.

• No se mueva y el porcentaje de grasa corporal se mostrará en la pantalla.

• Después de abandonar el sistema, el sistema de

"apagado automático" se apagará automáticamente

Función de desconexión automática:

(Colocarse):

• Para ahorrar energía, el aparato pasa al modo de espera después de unos segundos si el usuario no lo usa.

• Para volver a la operación normal, simplemente presione ligeramente sobre la plataforma de pesaje y espere a que la pantalla muestre "0.0"

Una vez que haya terminado de utilizar el aparato:

• Retire la batería del aparato si no tiene intención de usarlo durante un período prolongado.

Mensajes especiales:

• Los siguientes mensajes pueden aparecer en la pantalla:

• EEEE: significa que se ha excedido la capacidad del aparato

• Er: significa que hay un error en la medición del porcentaje de grasa corporal.

• Lo: significa que la batería debe ser cambiada / recargada.

Limpieza:

• Limpie el equipo con un paño húmedo con unas gotas de detergente y luego séquelo.

• No utilice disolventes ni productos con un pH ácido o básico como la lejía o productos abrasivos para limpiar el aparato.

• Nunca sumerja el aparato en agua o cualquier otro líquido, ni lo coloque bajo agua corriente.

Suministros:

Solo se deben utilizar los siguientes tipos de suministros con el aparato (Fig. 4)

Tipo de batería: 3V CR2032

Estos suministros están disponibles en la mayoría de las tiendas minoristas.

Reparar:

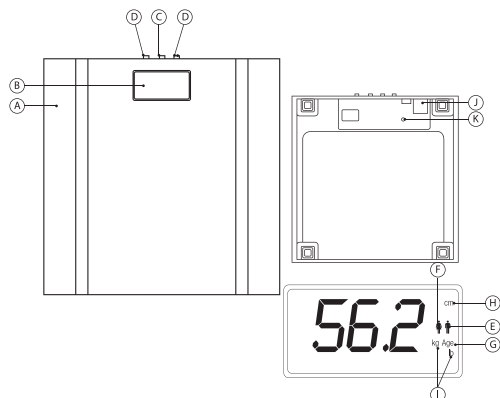
• Lleve el aparato a un servicio técnico autorizado si el producto está dañado o si surgen otros problemas.

• No intente desmontar o reparar ya que esto puede ser peligroso

• Si la conexión a la red eléctrica se ha dañado, debe ser reemplazada por un servicio autorizado.

Cher client,

Merci d'avoir choisi d'acheter un produit de marque Mellerware. Grâce à sa technologie, à sa conception et à son fonctionnement et au fait qu'il dépasse les normes de qualité les plus strictes, une utilisation pleinement satisfaisante et une longue durée de vie du produit peuvent être garanties.



1. Description des pièces

- A. Une plateforme
- B. écran LCD
- C. Bouton Set
- D. Boutons haut / bas
- E. Symbole masculin
- F. Symbole féminin
- G. Symbole d'âge
- H. Symbole de hauteur
- I. Symbole kilogramme / livre
- J. Couvercle du compartiment de la batterie
- K. Touche de sélection d'unité de poids

Comment les échelles de graisse corporelle fonctionnent et pourquoi il est important

Les échelles de graisse corporelle sont l'un des moyens les plus pratiques de mesurer votre pourcentage de graisse corporelle. L'échelle Mellerware BodyMax Health utilise une technique appelée analyse d'impédance bioélectrique (ou BIA). Très simplement, un petit courant électrique totalement inoffensif passe à travers votre corps. Le courant électrique passe plus rapidement dans les tissus exempts de graisse, comme les muscles, que dans les tissus adipeux ou osseux.

La résistance au courant électrique dépend donc de la masse et de la densité corporelle d'une personne sans graisse. Comme tous les tests de graisse corporelle, la balance BodyMax Health ne mesure pas votre

pourcentage de graisse corporelle. Ils déterminent votre densité corporelle. L'examineur (ou l'organisme BodyMax Health) utilise ensuite une formule pour calculer le pourcentage de graisse corporelle en fonction de la densité corporelle. Ces formules ne font que prédire votre graisse corporelle. Malheureusement, il n'existe pas de formule permettant de prédire avec précision la graisse corporelle pour l'ensemble de la population. Les différences d'âge, de sexe, d'appartenance ethnique, de taille et d'état de forme ont toutes un effet significatif sur les résultats, dans la mesure où elles permettent de suivre avec précision les changements dans la composition de votre corps au fil du temps, c'est tout ce dont vous avez besoin. Votre position corporelle, la quantité d'eau dans votre corps, votre consommation de nourriture, la température de la peau et une activité physique récente peuvent tous avoir une incidence défavorable sur les résultats des écailles de graisse corporelle. Pour obtenir des résultats précis et cohérents, vous devez standardiser la manière dont vous effectuez chaque test. Cela signifie simplement que chaque test avec votre balance Body-Max Health doit être aussi similaire que possible. Le gros avantage de l'échelle BodyMax Health est qu'il est facile de normaliser chaque test. Découvrez les meilleurs conseils pour tirer le meilleur parti de votre balance Body-Max Health.

Les meilleurs conseils pour utiliser votre balance de santé BodyMax

- N'oubliez pas d'utiliser la balance Bodymax pieds nus pour que la fonction BIA fonctionne correctement.
- Utilisez l'Échelle de santé BodyMax pour mesurer vos progrès uniquement. Ne comparez pas votre pourcentage de graisse corporelle au score de quiconque.
- Mesurez et buvez de l'eau une heure avant de vous tester. Assurez-vous de toujours boire la même quantité d'eau une heure avant de vous tester.
- Mesurez-vous à la même heure de la journée pour chaque test. La température de votre peau affecte le courant électrique utilisé par la balance BodyMax Health. C'est difficile, mais essayez à chaque fois de vous tester à une température ambiante similaire.
- Ne vous testez pas après l'entraînement. Lorsque vous faites de l'exercice, vous transpirez et quand vous transpirez, vous perdez de l'eau. Cela affecte votre niveau d'hydratation et donc les résultats.
- Nettoyez soigneusement les coussinets pour les pieds, de préférence avec de l'alcool, puis séchez-les chaque fois que vous testez.

2. Conseils de sécurité et avertissements!

Lisez attentivement ces instructions avant de mettre l'appareil en marche et conservez-les pour référence ultérieure. Le non respect de ces instructions peut entraîner un accident. Nettoyez toutes les parties du produit qui seront en contact avec les aliments, comme indiqué dans la section Nettoyage, avant utilisation.

2.1. Environnement de travail:

- 2.1.1. Placez l'appareil sur une surface horizontale, dure, rigide, plane et stable, exempte de vibrations.
- 2.1.2. Évitez tout contact de la zone de pesée avec des objets à ne pas peser. Sinon, le poids ne sera pas affiché.

2.2. Sécurité personnelle:

- 2.2.1. N'utilisez pas l'appareil avec les pieds mouillés.
- 2.2.2. Utilisez toujours l'appareil pieds nus - enlevez les chaussettes et les chaussures.

2.3. Utilisation et soin:

- 2.3.1. Ne déplacez pas l'appareil en cours d'utilisation.
- 2.3.2. Ne surchargez pas la capacité de poids de l'appareil.
- 2.3.3. Retirez les piles de l'appareil si vous ne l'utilisez pas pendant un moment.
- 2.3.4. Cet appareil n'est pas destiné à un usage professionnel, industriel ou médical / hospitalier, il est destiné uniquement à un usage domestique.
- 2.3.5. Les enfants doivent être surveillés pour s'assurer qu'ils ne jouent pas avec l'appareil.
- 2.3.6. Cet appareil n'est pas destiné à être utilisé par des personnes (y compris des enfants) ayant des capacités physiques, sensorielles ou mentales réduites, ou manquant d'expérience et de connaissances, à moins qu'une personne responsable de leur sécurité ne les ait supervisées ou instruites.
- 2.3.7. Cet appareil doit être rangé hors de la portée des enfants et / ou des personnes handicapées.
- 2.3.8. Ne rangez pas l'appareil en position verticale.
- 2.3.9. ATTENTION: N'utilisez pas l'appareil si le verre est fissuré ou cassé.
- 2.3.10. Toute utilisation abusive ou non-respect des instructions d'utilisation rend la garantie et la responsabilité du fabricant nulles et non avenues.

2.4. Assemblage de la batterie / s

Mise en garde:

- 2.4.1. Lors de la manipulation des batteries, ne touchez pas les deux pôles en même temps, cela provoquerait une décharge partielle de l'énergie stockée, affectant ainsi la longévité.
- 2.4.2. Retirez le couvercle du compartiment à piles.
- 2.4.3. Vérifiez que le revêtement en plastique qui

protège la batterie a été retiré (certaines piles sont vendues avec un revêtement de protection)

2.4.4. Mettez la batterie dans son compartiment. Mise en garde:

Lors de la manipulation des batteries, ne touchez pas les deux pôles en même temps, cela provoquerait une décharge partielle de l'énergie stockée, affectant ainsi la longévité.

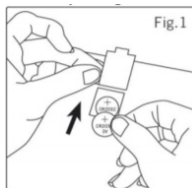
2.4.5. Remplacez le couvercle du compartiment à piles.

2.4.6. Il est essentiel que les batteries soient toujours du même type et de la même charge. Ne mélangez jamais des piles alcalines avec des piles normales (carbone-zinc) et / ou rechargeables.

2.4.7. N.B. Lors du remplacement des piles, la configuration de l'appareil sera supprimée et vous devrez réinitialiser les paramètres de l'appareil.

2.5. Batterie assembler

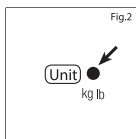
2.5.1. Insérez les piles au lithium (fournies) .Voir la figure 1 (Remarque: assurez-vous que la pile est insérée à fond dans son logement). Assurez-vous également que le côté «+» de la batterie est tourné vers l'extérieur.



3. Instructions d'utilisation

3.1. Avant utilisation:

- 3.1.1. Préparez l'appareil en fonction de la fonction que vous souhaitez utiliser:
- 3.1.2. Le sélecteur d'unités de pesée Kg / Lb.
- 3.1.3. L'appareil dispose d'un sélecteur d'unités de pesage; placez le sélecteur dans la position en fonction des unités avec lesquelles vous souhaitez travailler. (Kg / lb) utilisation:
- 3.1.4. Pour ce faire, appuyez sur la touche "unité", l'unité de mesure sélectionnée sera ensuite affichée à l'écran l'une après l'autre.



3.2. Système de pesage normal:

3.2.1. Appuyez doucement sur la surface de la balance avec votre pied pour l'allumer et attendez que l'écran affiche «8888», puis attendez que «0,0» apparaisse à l'écran.

3.2.2. Placez-vous au centre de la plate-forme en évitant les mouvements brusques et sans toucher aucun objet, jusqu'à ce que l'appareil indique votre poids.

3.3. Pour mesurer l'eau, les os et les muscles, vous devez entrer vos paramètres personnels.

3.3.1. Appuyez doucement sur la surface de la balance avec votre pied pour l'allumer.

3.3.2. Appuyez sur la touche Set et utilisez la touche Haut / Bas pour trouver le numéro de la mémoire sous laquelle vous souhaitez enregistrer vos données personnelles (9 mémoires disponibles P01-P9). Appuyez ensuite sur le bouton Set pour confirmer votre choix.

3.3.3. Sélectionnez un homme ou une femme en utilisant les boutons haut / bas et en confirmant en appuyant sur le bouton Set.

3.3.4. Connectez votre âge en utilisant les boutons haut / bas et confirmez en utilisant le bouton Set.

3.3.5. Connectez-vous à votre hauteur en utilisant les boutons haut / bas et en confirmant en utilisant le bouton Set. Notez que vous pouvez également utiliser le bouton de sélection des unités situé sous la balance pour sélectionner la mesure de hauteur (pouces / centimètre).

Ces étapes peuvent être répétées pour programmer les 9 mémoires restantes si vous le souhaitez.

3.3.6. Une fois que vous avez défini votre profil, appuyez sur le bouton «Définir» et sélectionnez votre profil. Vos données sauvegardées clignoteront brièvement sur l'écran de la balance.

3.3.7. Placez la balance et placez votre corps au centre, au-dessus des capteurs en métal. N'oubliez pas d'être pieds nus.

3.3.8. Restez immobile sur la balance pendant le calcul. "000" clignotera sur l'échelle pendant qu'elle est en train de calculer. Une fois cela fait, la balance clignotera les résultats dans la séquence suivante:

3.3.9. % De graisse corporelle, % d'eau dans le corps (hydratation), % d'os et % de muscle. Voir ci-dessous les icônes affichées sur la balance. Les résultats clignoteront à plusieurs reprises 3 fois, puis la balance s'éteindra.

3.4. Programmation des données personnelles:

3.4.1. Appuyez doucement sur la surface de la balance avec votre pied pour l'allumer.

3.4.2. Appuyez sur le bouton de réglage et utilisez le bouton Haut / Bas pour trouver le numéro de la

mémoire sous laquelle vous souhaitez enregistrer vos données personnelles (9 mémoires disponibles). Appuyez ensuite sur le bouton Set pour confirmer votre choix.

3.4.3. Sélectionnez l'unité de poids à l'aide des touches Up / et confirmez l'option choisie en appuyant sur la touche Set.

3.4.4. Sélectionnez un homme ou une femme en utilisant les boutons haut / bas et en confirmant en appuyant sur le bouton Set.

3.4.5. Connectez votre âge en utilisant les boutons haut / bas et confirmez en utilisant le bouton Set.

3.4.6. Connectez-vous à votre hauteur en utilisant les boutons haut / bas et en confirmant en utilisant le bouton Set. Ces étapes peuvent être répétées pour programmer les 8 mémoires restantes si vous le souhaitez. Ces étapes peuvent être répétées pour programmer les 8 mémoires restantes si vous le souhaitez.

3.4.7. Une fois que vous avez défini votre profil, appuyez sur le bouton «Définir» et sélectionnez votre profil. Vos données sauvegardées clignoteront brièvement sur l'écran de la balance.

3.4.8. Placez la balance et placez votre corps au centre, au-dessus des capteurs en métal. N'oubliez pas d'être pieds nus.

3.4.9. Restez immobile sur la balance pendant le calcul. "000" clignotera sur l'échelle pendant que vous êtes en train de calculer. Une fois cela fait, la balance clignotera les résultats dans la séquence suivante:

3.4.10. % De graisse corporelle, % d'eau dans le corps (hydratation), % d'os et % de muscle. Voir ci-dessous les icônes affichées sur la balance. Les résultats clignoteront à plusieurs reprises 3 fois, puis la balance s'éteindra.



Icônes de gauche

1. % de graisse corporelle
2. Eau / Hydratation%
3. Os%
4. Muscle%

Veillez noter que l'échelle utilisera également l'une des descriptions suivantes selon les résultats:

Icônes de gauche

1. % de graisse corporelle

2. Eau / Hydratation%
3. Os%
4. Muscle%

Veillez noter que l'échelle utilisera également l'une des descriptions suivantes selon les résultats:

1. Sous graisse
2. en bonne santé
3. sur le gras
4. obèse

3.5 Calculer le pourcentage de graisse corporelle:

3.5.1. Cet appareil possède l'option intégrée pour calculer le pourcentage de votre masse grasse en utilisant des techniques d'impédance bioélectrique.

3.5.2. Cette analyse mesure la conductivité différente entre la masse musculaire et la masse corporelle formée par les cellules adipeuses à l'aide d'un micro-courant électrique de très faible intensité traversant les membres inférieurs du corps.

3.5.3. Le pourcentage de poids corporel est calculé en utilisant la procédure décrite ci-dessus et implique également les variables suivantes: taille, âge, sexe et poids.

3.5.4. Résultats optimaux selon les normes généralement appliquées aux adultes:

3.5.5. Hommes: 14 - 24%

3.5.6. Femmes: 20 - 30%

BODY FAT RANGES

	Age	10-20	20-30	30-40	40-50	50-60	60-99
Male	Underweight	<10%	<11%	<13%	<14%	<15%	<16%
	Healthy	10-18%	11-19%	13-21%	14-22%	15-23%	16-24%
	Overweight	>18%	>19%	>21%	>22%	>23%	>24%
Female	Age	10-20	20-30	30-40	40-50	50-60	60-99
	Underweight	<15%	<15%	<17%	<18%	<19%	<19%
	Healthy	15-23%	15-23.5%	17-25%	18-26%	19-27%	19-27%
	Overweight	>23%	>23%	>25%	>26%	>27%	>27%

- Tous les résultats inférieurs à ces indicateurs sont considérés comme une sous-pondération et plus élevés que ceux correspondant à une surpondération.
- En cas de doute, consultez votre médecin ou votre pharmacien pour obtenir des éclaircissements.

Système de mesure du pourcentage de graisse corporelle

- Appuyez doucement sur la surface de la balance avec votre pied pour l'allumer.
- Utilisez les boutons haut / bas pour accéder au code de mémoire sous lequel vos données personnelles ont déjà été sauvegardées.
- Attendez quelques secondes jusqu'à ce que vos données personnelles apparaissent brièvement à l'écran - sexe, âge, taille et unité de poids.
- Attendez que l'écran affiche «0,0kg», puis la balance

est prête à être utilisée.

- Placez-vous au centre de la plate-forme en évitant les mouvements brusques et sans toucher aucun objet, jusqu'à ce que l'appareil indique votre poids.
- Ne bougez pas et le pourcentage de graisse corporelle s'affichera à l'écran.
- Après avoir quitté le système, le "système d'arrêt automatique" s'éteindra automatiquement

Fonction de déconnexion automatique: (Etre prêt):

- Afin d'économiser de l'énergie, l'appareil passe en veille après quelques secondes si l'utilisateur ne l'utilise pas.
- Pour revenir au fonctionnement normal, appuyez légèrement sur la plate-forme de pesée et attendez que l'écran affiche "0.0".

Une fois que vous avez fini d'utiliser l'appareil:

- Retirez la batterie de l'appareil si vous n'avez pas l'intention de l'utiliser pendant une période prolongée.

Messages spéciaux:

- Les messages suivants peuvent apparaître à l'écran:
- EEEE: signifie que la capacité de l'appareil a été dépassée
- Er: signifie qu'il ya une erreur dans la mesure du pourcentage de graisse corporelle.
- Lo: signifie que la batterie doit être remplacée / rechargée.

Nettoyage:

- Nettoyez l'équipement avec un chiffon humide avec quelques gouttes de liquide vaisselle, puis séchez.
- N'utilisez pas de solvants, ni de produits au pH acide ou basique, tels que l'eau de javel ou les produits abrasifs, pour nettoyer l'appareil.
- Ne plongez jamais l'appareil dans de l'eau ou dans tout autre liquide, ni ne le placez sous l'eau courante.

Provisions:

Seuls les types d'alimentations suivants doivent être utilisés avec cet appareil (Fig. 4)

Type de batterie: 3V CR2032

Ces fournitures sont disponibles dans la majorité des magasins de vente au détail.

Réparation:

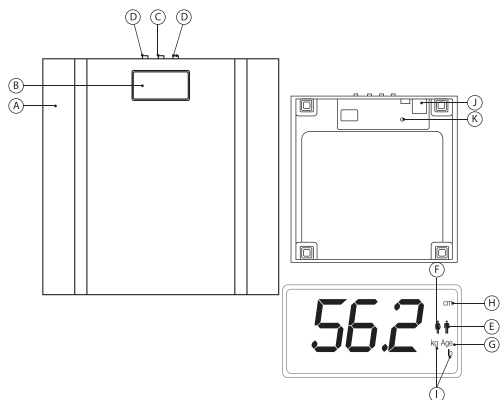
- Adressez-vous à un service d'assistance technique agréé si le produit est endommagé ou si d'autres problèmes se produisent.
- N'essayez pas de démonter ou de réparer car cela

pourrait être dangereux

- Si le raccordement au secteur est endommagé, il doit être remplacé par un service après-vente agréé.

Estimado cliente,

Obrigado por escolher comprar um produto da marca Mellerware. Graças à sua tecnologia, design e operação e ao fato de exceder os mais rigorosos padrões de qualidade, um uso totalmente satisfatório e uma longa vida útil do produto podem ser assegurados.



1. Descrição das peças

Uma plataforma

B. tela de LCD

C. botão Definir

D. Botões para cima / baixo

E. Símbolo masculino

F. símbolo feminino

G. símbolo da idade

H. símbolo de altura

I. Quilograma / libras de símbolo

J. Tampa do compartimento de bateria

K. Botão seletor da unidade de peso

Como as balanças de gordura corporal funcionam e por que isso é importante

As escalas de gordura corporal são uma das formas mais convenientes de medir o percentual de gordura corporal. A escala Mellerware BodyMax Health usa uma técnica chamada Bioelectrical Impedance Analysis (ou BIA abreviada). Muito simplesmente, uma corrente elétrica pequena e completamente inofensiva é passada pelo seu corpo. A corrente elétrica passa mais rapidamente através de tecido livre de gordura, como músculo, do que através de gordura ou tecido ósseo.

Portanto, a quantidade de resistência à corrente elétrica está relacionada com a quantidade de massa livre de gordura que uma pessoa tem e a densidade corporal. Como todos os testes de gordura corporal, a escala BodyMax Health não mede realmente o

percentual de gordura corporal. Eles determinam a densidade do seu corpo. O examinador (ou o BodyMax Health) usa uma fórmula para calcular a porcentagem de gordura corporal com base na densidade corporal. Essas fórmulas apenas prevêm sua gordura corporal. Infelizmente, não existe uma fórmula que preveja com precisão a gordura corporal para toda a população. As diferenças de idade, sexo, etnia, tamanho do corpo e nível de condicionamento físico têm um efeito significativo nos resultados, desde que possam monitorar com precisão as mudanças na composição corporal ao longo do tempo, isso é tudo que você precisa. Sua posição corporal, a quantidade de água em seu corpo, a ingestão de alimentos, a temperatura da pele e a atividade física recente podem afetar adversamente os resultados das escalas de gordura corporal. Para obter resultados precisos e consistentes, você deve padronizar a maneira de executar cada teste. Isso significa simplesmente tornar cada teste com a sua escala Body-Max Health o mais semelhante possível. A grande coisa sobre a escala BodyMax Health é que padronizar cada teste é fácil de fazer. Confira as principais dicas para aproveitar ao máximo sua escala Body-Max Health.

Dicas importantes ao usar sua escala de saúde BodyMax

- Lembre-se de usar a balança Bodymax com os pés descalços para que a função BIA funcione corretamente.
- Use a Escala de Saúde BodyMax para medir apenas seu progresso. Não compare sua porcentagem de gordura corporal com a pontuação de outra pessoa.
- Meça e beba um pouco de água uma hora antes de se testar. Certifique-se de sempre beber a mesma quantidade de água uma hora antes de se testar.
- Meça à mesma hora do dia para cada teste. A temperatura da sua pele afeta a corrente elétrica usada pela escala BodyMax Health. É difícil, mas tente se testar em uma temperatura ambiente semelhante a cada vez.
- Não teste você mesmo após o exercício. Quando você se exercita, sua e quando você sua, você perde água. Isso afeta seus níveis de hidratação e, portanto, os resultados.
- Limpe cuidadosamente os pés, de preferência com álcool e depois seque-os sempre que testar.

2. Conselhos de segurança e avisos!

Leia atentamente estas instruções antes de ligar o aparelho e guarde-as para consultas futuras. Não seguir e observar estas instruções pode levar a um acidente.

Limpe todas as partes do produto que estarão em contato com os alimentos, conforme indicado na seção de limpeza, antes de usar.

2.1. Ambiente de trabalho:

- 2.1.1. Coloque o aparelho numa superfície horizontal, rígida, plana e estável, isenta de vibrações.
- 2.1.2. Evite qualquer contato da área de pesagem com objetos que não devem ser pesados. Caso contrário, não mostrará o peso correto.

2.2. Segurança pessoal:

- 2.2.1. Não use o aparelho com os pés molhados.
- 2.2.2. Utilize sempre o aparelho com os pés descalços - retire as meias ou os sapatos.

2.3. Use e cuidado:

- 2.3.1. Não mova o aparelho enquanto estiver em uso.
- 2.3.2. Não sobrecarregue a capacidade de peso do aparelho.
- 2.3.3. Retire as pilhas do aparelho se não for utilizá-lo durante algum tempo.
- 2.3.4. Este aparelho não é para uso profissional ou industrial ou médico / hospitalar, destina-se apenas a uso doméstico.
- 2.3.5. As crianças devem ser supervisionadas para garantir que não brinquem com o aparelho.
- 2.3.6. Este aparelho não se destina a ser utilizado por pessoas (incluindo crianças) com capacidades físicas, sensoriais ou mentais reduzidas, ou falta de experiência e conhecimento, a menos que tenham recebido supervisão ou instruções relativas à utilização do aparelho por uma pessoa responsável pela sua segurança.
- 2.3.7. Este aparelho deve ser mantido fora do alcance de crianças e / ou deficientes.
- 2.3.8. Não guarde o aparelho na posição vertical.
- 2.3.9. CUIDADO: Não use o aparelho se o vidro estiver rachado ou quebrado.
- 2.3.10. Qualquer uso indevido ou falha em seguir as instruções de uso torna a garantia e a responsabilidade do fabricante nulas e sem efeito.

2.4. Montando a bateria / s

Cuidado:

- 2.4.1. Durante o manuseio das baterias, não toque nos dois pólos ao mesmo tempo, pois isso provocará a descarga parcial da energia armazenada, afetando, portanto, a longevidade.
- 2.4.2. Remova a tampa do compartimento da bateria.
- 2.4.3. Verifique se a cobertura de plástico que protege a bateria foi removida (algumas baterias são vendidas com uma capa protetora)

2.4.4. Coloque a bateria no seu compartimento.

Cuidado:

Durante o manuseio das baterias, não toque nos dois pólos ao mesmo tempo, pois isso provocará a descarga parcial da energia armazenada, afetando, portanto, a longevidade.

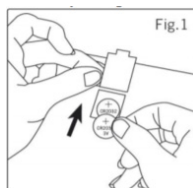
2.4.5. Recoloque a tampa do compartimento da bateria.

2.4.6. É essencial que as baterias sejam sempre do mesmo tipo e da mesma carga. Nunca misture pilhas alcalinas com pilhas normais (de carbono-zinco) e / ou recarregáveis.

2.4.7. N.B. Ao trocar as baterias, a configuração do aparelho será removida e você precisará redefinir os parâmetros do aparelho.

2.5. Montagem da bateria

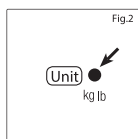
2.5.1. Insira as baterias de lítio (incluídas). Veja a figura 1 (Nota: certifique-se de que a bateria esteja empurrada até o encaixe). Verifique também se o lado “+” da bateria está voltado para fora.



3. Instruções de uso

3.1. Antes de usar:

- 3.1.1. Prepare o aparelho de acordo com a função que deseja usar:
- 3.1.2. Seletor de unidades de pesagem Kg / Lb.
- 3.1.3. O aparelho possui um seletor de unidades de pesagem; coloque o seletor na posição de acordo com as unidades com as quais deseja trabalhar. (KG / Lb) use:
- 3.1.4. Para fazer isso, pressione o botão “unidade”, a unidade de medição selecionada será mostrada na tela uma após a outra.



3.2. Sistema de pesagem normal:

3.2.1. Pressione levemente a superfície da balança com o pé para ligá-la e aguarde até que a tela mostre “8888”, então espere até que “0,0” apareça na tela.

3.2.2. Coloque-se no centro da plataforma, evitando movimentos abruptos e sem tocar em outros objetos, até que o aparelho mostre seu peso.

3.3. Para medir Água, Osso e Músculo, você precisa inserir suas configurações pessoais.

3.3.1. Pressione levemente a superfície da balança com o pé para ligá-la.

3.3.2. Pressione o botão Set e use o botão Para cima / para baixo para encontrar o número de memória sob o qual você deseja salvar seus dados pessoais (9 memórias disponíveis P01-P9). Em seguida, pressione o botão Set para confirmar sua escolha.

3.3.3. Selecione macho ou fêmea usando os botões para cima / para baixo e confirmando pressionando o botão Set.

3.3.4. Faça o login da sua idade usando os botões para cima / para baixo e confirme usando o botão Set.

3.3.5. Faça o login em sua altura usando os botões para cima / para baixo e confirmando usando o botão Set. Observe que você também pode usar o botão seletor de unidade sob a escala para selecionar a medida de altura (Polegadas “/ Centímetro CM”).

Essas etapas podem ser repetidas para programar as 9 memórias restantes, se desejado.

3.3.6. Depois de definir seu perfil, pressione o botão “set” e selecione seu perfil. Seus dados salvos piscarão rapidamente na tela da balança.

3.3.7. Coloque a balança e coloque o corpo no centro, acima dos sensores de metal. Lembre-se de estar descalço.

3.3.8. Permaneça ainda na escala enquanto a balança estiver calculando. A balança mostrará “000” piscando enquanto está ocupado calculando. Uma vez feito, a escala irá piscar resultados na seguinte sequência:

3.3.9. % De gordura corporal, % de água corporal (hidratação), % de osso e % de músculo. Veja abaixo os ícones exibidos na balança. Os resultados piscarão repetidamente 3 vezes e depois a balança será desligada.

3.4. Programando dados pessoais:

3.4.1. Pressione levemente a superfície da balança com o pé para ligá-la.

3.4.2. Pressione o botão Set e use o botão Para cima / para baixo para encontrar o número da memória sob a qual você deseja salvar seus dados pessoais (9 memórias disponíveis).

Em seguida, pressione o botão Set para confirmar sua

escolha.

3.4.3. Selecione a unidade de peso usando os botões para cima / e confirmando a opção escolhida pressionando o botão Definir.

3.4.4. Selecione macho ou fêmea usando os botões para cima / para baixo e confirmando pressionando o botão Set.

3.4.5. Faça o login da sua idade usando os botões para cima / para baixo e confirme usando o botão Set.

3.4.6. Faça o login em sua altura usando os botões para cima / para baixo e confirmando usando o botão Set. Essas etapas podem ser repetidas para programar as 8 memórias restantes, se desejado. Essas etapas podem ser repetidas para programar as 8 memórias restantes, se desejado.

3.4.7. Depois de definir seu perfil, pressione o botão “set” e selecione seu perfil. Seus dados salvos piscarão rapidamente na tela da balança.

3.4.8. Coloque a balança e coloque o corpo no centro, acima dos sensores de metal. Lembre-se de estar descalço.

3.4.9. Permaneça ainda na escala enquanto a balança estiver calculando. A balança mostrará “000” piscando enquanto está ocupado calculando. Uma vez feito, a escala irá piscar resultados na seguinte sequência:

3.4.10. % De gordura corporal, % de água corporal (hidratação), % de osso e % de músculo. Veja abaixo os ícones exibidos na balança. Os resultados piscarão repetidamente 3 vezes e depois a balança será desligada.



Ícones à esquerda

1. % de gordura corporal
2. % de Água / Hidratação
3. % óssea
4. % de músculo

Por favor, note que a escala também usará uma das seguintes descrições de acordo com os resultados:

1. Sob gordura
2. Saudável
3. sobre gordura
4. Obeso

3.5. Calcule a porcentagem de gordura corporal:

3.5.1. Este aparelho tem a opção incorporada para calcular a porcentagem de sua gordura corporal usando técnicas de impedância bioelétrica.

3.5.2. Esta análise mede a diferente condutividade entre a massa muscular e a massa corporal formada pelas células adiposas usando micro corrente elétrica de baixa intensidade que percorre os membros inferiores do corpo.

3.5.3. A porcentagem de peso corporal é calculada usando o procedimento descrito acima e também envolve as seguintes variáveis: altura, idade, sexo e peso.

3.5.4. Resultados ótimos de acordo com padrões geralmente aplicados a adultos:

3.5.5. Homens: 14 - 24%

3.5.6. Mulheres: 20 - 30%

BODY FAT RANGES

	Age	10-20	20-30	30-40	40-50	50-60	60-99
Male	Underweight	<10%	<11%	<13%	<14%	<15%	<16%
	Healthy	10-18%	11-19%	13-21%	14-22%	15-23%	16-24%
	Overweight	>18%	>19%	>21%	>22%	>23%	>24%
Female	Age	10-20	20-30	30-40	40-50	50-60	60-99
	Underweight	<15%	<15%	<17%	<18%	<19%	<19%
	Healthy	15-23%	15-23.5%	17-25%	18-26%	19-27%	19-27%
Overweight	>23%	>23%	>25%	>26%	>27%	>27%	

• Quaisquer resultados abaixo desses indicadores são considerados abaixo do peso e maiores do que estes são considerados sobrepeso.

• Em caso de dúvida, consulte o seu médico ou farmacêutico para esclarecimentos.

Sistema para medir percentual de gordura corporal

• Pressione suavemente a superfície da balança com o pé para ligá-la.

• Use os botões para cima / para baixo para acessar o código de memória sob o qual seus dados pessoais já foram salvos.

• Aguarde alguns segundos até que seus dados pessoais apareçam brevemente na tela - Gênero, idade, altura e unidade de peso.

• Aguarde até que o visor mostre "0,0 kg" e a balança esteja pronta para uso.

• Coloque-se no centro da plataforma, evitando movimentos abruptos e sem tocar em outros objetos, até que o aparelho mostre seu peso.

• Não se mova e a porcentagem de gordura corporal será exibida na tela.

• Depois de descer o sistema "Auto shutdown" desligará automaticamente

Função de desconexão automática:

(Espera):

• Para poupar energia, o aparelho passa a standby

após alguns segundos, se o usuário não usá-lo.

• Para retornar à operação normal, basta pressionar levemente a plataforma de pesagem e esperar que a tela mostre "0,0".

Quando terminar de usar o aparelho:

• Retire a bateria do aparelho se não pretender utilizar o aparelho durante um longo período de tempo.

Mensagens especiais:

• As seguintes mensagens podem aparecer na tela:

• EEEE: significa que a capacidade do dispositivo foi excedida

• Er: significa que há um erro na medição da porcentagem de gordura corporal.

• Lo: significa que a bateria deve ser trocada / recarregada.

Limpeza:

• Limpe o equipamento com um pano úmido com algumas gotas de detergente e depois seque.

• Não use solventes ou produtos com um pH ácido ou básico, como água sanitária, ou produtos abrasivos, para limpar o aparelho.

• Nunca mergulhe o aparelho em água ou qualquer outro líquido ou coloque-o debaixo de água corrente.

Suprimentos:

Apenas os seguintes tipos de suprimentos devem ser usados com o aparelho (fig. 4)

Tipo de bateria: 3V CR2032

Esses suprimentos estão disponíveis na maioria das lojas de varejo.



Thank you for purchasing a Mellerware product. Mellerware guarantees that your product has been thoroughly inspected and tested before being dispatched and is free from mechanical and electrical defects and complies with the applicable safety standards. With every Mellerware product purchased you get a 2 year warranty as detailed in the terms and conditions below.

First Year – 1 Year Retail Warranty:

Should defects due to faulty parts or workmanship develop, under normal use, within 12 months from the original purchase date, please return the product to the store from where it was purchased for repair free of charge. However, for the customer's convenience we will replace products where the purchase price is equal to or less than R750 incl. VAT

Second Year – 1 Year Extended Warranty

Mellerware takes pride in their product quality and therefore offer an extended 12 month warranty over and above the 1 Year Retail Warranty. Should defects due to faulty material or workmanship develop, under normal domestic use, after the 12 month period and within 24 months from the original date of purchase, please return the product postage pre-paid to Mellerware for repair. Mellerware will repair the product free of charge and return it to you directly. Mellerware will replace a product with a similar product in the same or better condition, if the repair cannot be conducted for whatever reason.

NB: The 1 Year Extended Warranty is only valid for customers who have registered their warranty online at www.mellerware.co.za within the first year after making their purchase. See overleaf for details and instructions.

Before returning your product, check the following:

- Your household mains supply socket is in good condition, working and switched on.
- The mains supply circuit is not overloaded (White trip switch on your DB board is off).
- You have read the trouble shooting guide in your Instructions for Use.
- All accessories and parts are present.

The following conditions apply:

1. Please ensure you retain your original receipt as this must be presented when making a claim under the terms of the warranty. It is impossible to determine the warranty period without your original proof of purchase, so please keep this in a safe place. (NB. Your warranty can be scanned onto the Mellerware web site for safe storage – see reverse side for details.)
2. If a refund or exchange is required the product must be complete with all accessories, parts and packaging. Missing parts will render the warranty void.
3. Upon receipt of your appliance, check it for any transport damage to ensure it is safe for use. Return it to the store as soon as possible for exchange if damaged. The warranty is void if products are damaged after use, so please do not use the damaged product.
4. Your product is designed for normal domestic

household use. Failure to read and comply with the instructions for use, cleaning and maintenance will render your warranty void, so please read these instructions carefully to ensure your safety, and to get the most effective use from the product. (e.g. not removing lime scale; water deposits; insect infestation, and/or burnt products)

5. Any abuse, negligent, improper or accidental use or care will render the warranty void and Creative Housewares (Pty) Ltd will not be liable for any loss or damage.
6. Any attempted repair, or replacement of unauthorised parts will render the warranty void, so please contact an authorised service centre or service agent for any service or repair requirements.
7. NB: The warranty on replaced products will be from the original date of purchase and not from when the date replacement was made.
8. All repairs carry a 3 month warranty even if this falls outside of the 2 year warranty period.
9. Mellerware will attempt to conduct repairs within reasonable time in line with industry standards but cannot be held responsible or liable for any circumstances not under our control.
10. Terms and Conditions are subject to change without prior notice.

Repairs Out of the Warranty Period

If service or repair becomes necessary outside the warranty period, this service is still available however all transport/postage, spares and labour costs will be for the customers' account. All chargeable repairs will require the customers' written acceptance of the quote. Once the go-ahead has been received Mellerware will undertake to conduct the repair within a reasonable time and maintain the condition of the product as received. All repairs are warranted for 3 months from the date of the repair.

For any service, enquiries and complaints please contact our Customer Care on 086 111 5006 or e-mail help@chwsa.co.za from 08h00 to 15h00 Monday to Friday excluding public holidays. Please also note that the company is normally closed for 2 weeks around Christmas and New Year.

Please send all products for repair postage pre-paid to one of the service centres listed on the back of this page.

ONLINE WARRANTY REGISTRATION

Why register your warranty?

We at Mellerware pride ourselves on bringing premium quality appliances to market, and as a commitment to this level of quality we offer a 2 year warranty (1 Year Retail + 1 Year Extended) on all of our products. We often hear that our customers lose their receipts and can therefore no longer claim if they have a problem. To take advantage of the 1 Year Extended Warranty you will need to register your warranty online within the first year of purchase in order to make a valid claim. Now you can register your product, upload your warranty online, never have to worry about losing your receipt again and enjoy the benefit of your 2 year warranty.

Added Benefits

In addition to providing you with an online profile of your registered products we will also provide a host of value added benefits:

- Incentives and Competitions for registered users
- New recipes or ideas for your products
- New product developments – be the first to get the latest appliances
- Special offers on promotional items

How to Register your Online Warranty?

STEP1 Create your user profile:

If you haven't done so already, simply visit www.mellerware.co.za, click on the "Product Registration" link and follow the easy instructions. You will receive a user-name and password once registered. This will give you access to your user profile.



STEP2 Pick a registration method:



DESKTOP/ LAPTOP

- Open your internet browser and visit www.mellerware.co.za
- Click on the "Registration" link and login using your user name and password.
- Click on "Register your products and upload receipts" and follow the easy instructions.
- Scan and upload your receipt



SMART PHONE/ TABLET

- Scan the QR code above or visit www.mellerware.co.za
- Click on the "Registration" link and login using your user name and password.
- Click on "Register your products and upload receipts" and follow the easy instructions.
- Scan or take a photo and upload your receipt.



FAX

- Fax the following to 021 931 4058
- First Name and Surname
- Contact telephone and fax number.
- Product Model number and Type.
- Traceability Code (found on a label on the product)
- A clear and legible copy of your receipt.

Notes:

1. The online warranty system is a safe storage facility for your receipt.
2. You will be required to register on the Mellerware website. You will receive a username and password once registered. This will give you access to your profile.
3. From your profile you will be able to load products that you have purchased. In order to successfully register your warranty you will need to either scan and upload, or fax through your receipt to us.
4. All instructions on how to load your products are available

inside your profile.

5. Please note that you must check that your receipt has been uploaded correctly. Creative Housewares cannot be held responsible for faxes or files not received.
6. For assistance with registration please email: marketing@chwsa.co.za

NB: Your 1 year extended warranty is only valid if your product is registered online within the first year after purchasing your Mellerware product. Failure to register your product on-line within the first year will render the extended warranty as void.

creative housewares

National Service Centre: 086 111 5006

e-mail: help@chwsa.co.za

www.creativehousewares.co.za

Cape Town

20 Tekstiel Street, Parow, Cape Town, 7493,
South Africa • P.O. Box 6156 Parow East, 7501,
South Africa Tel: +27 21 931 8117
Fax: +27 21 931 4058

Durban

35 Adrain Road, Windermere,
Durban, South Africa, 4001
Tel: +27 31 303 3465
Fax: +27 31 303 8259

Johannesburg

Unit 25 & 26 San Croy Office Park
Die Agora Road, Croydon, 1619
Tel: +27 11 392 5652
Fax: +27 11 392 1694



Dankie vir die aankoop van 'n Mellerware produk. Mellerware waarborg dat u produk deeglik geïnspekteer en getoets word voordat dit versend word en is vry van meganiese en elektriese gebreke en voldoen aan die toepaslike veiligheidsstandaarde. Met elke Mellerware produk wat gekoop word kry u 'n 2 jaar waarborg soos uiteengesit in die terme en voorwaardes hieronder.

Eerste Jaar - 1 Jaar Kleinhandelswaarborg:

Indien defekte as gevolg van foutiewe onderdele of vakmanskap binne 12 maande onder normale huishoudelike gebruik ontwikkel, binne die 12 maande vanaf die oorspronklike datum van aankoop, neem asseblief die produk na die winkel van waar dit gekoop is vir 'n terugbetaling of vervanging.

Tweede Jaar - 1 Jaar Uitgebreide Waarborg

Mellerware is trots op die kwaliteit van die produk en bied dus 'n uitgebreide 12 maande waarborg bo en behalwe die 1 Jaar kleinhandelswaarborg. Indien defekte as gevolg van foutiewe materiaal of vakmanskap ontwikkel, onder normale huishoudelike gebruik, na die 12 maande tydperk en binne 24 maande vanaf die oorspronklike datum van aankoop, stuur die produk terug met posgeld betaal na Mellerware vir herstel. Mellerware sal die produk gratis herstel en dit direk aan u terugstuur. Mellerware sal die produk vervang met 'n soortgelyke produk in dieselfde of beter toestand, as die herstel nie uitgevoer kan word vir watter rede ookal nie.

NB: Die 1 Jaar Uitgebreide waarborg is slegs geldig vir kliënte wat hul waarborg geregistreer het op ons webtuiste by www.mellerware.co.za binne die eerste jaar nadat hulle dit aangekoop het. Sien keersy vir besonderhede en instruksies.

Voordat u die produk terug stuur, maak seker van die volgende:

- U huishoudelike geleidingsok is in 'n goeie toestand, werk en aangeskakel is,
- Die geleidingsok is nie oorlaai nie (Wit uitskop skakelaar op u DB bord af is),
- U het die moeilikheid steuringsgids gelees in u instruksies vir gebruik,
- Alle bykomstighede en dele teenwoordig is.

Die volgende voorwaardes geld:

1. Maak seker dat jou oorspronklike kwitansie behoue is, dit moet aangebied word wanneer 'n eis gemaak word onder die voorwaardes van die waarborg. Dit is onmoontlik om die waarborg tydperk te bepaal sonder die bewys van aankoop, so hou dit asseblief in 'n veilige plek. (NB. Jou oorspronklike waarborg kan opgeskander word na die Mellerware webtuiste vir veilige bewaring - sien keersy vir meer inligting.)
2. Indien 'n terugbetaling of omruiling van die produk nodig is moet die produk volledig wees met al die bykomstighede, onderdele en verpakking. Toebehoore wat weg is sal die waarborg nietig maak.
3. Met ontvangs van u toestel, gaan dit na die vir enige vervoer skade om te verseker dat dit veilig is vir gebruik. Stuur dit

so gou as moontlik terug na die winkel om die beskadigde toestel te vervang. Die waarborg is nietig indien die beskadigde produk gebruik word na die tyd, so moet asseblief nie die beskadigde produk gebruik nie.

4. U produk is ontwerp vir normale huishoudelike gebruik. Deur te versuim om die instruksies te lees en te voldoen aan die terme van gebruik, die skoonmaak en instandhouding van die produk maak u waarborg ongeldig, so lees asseblief hierdie instruksies versigtig om u veiligheid te verseker, en om die beste uit die gebruik van die produk te kry. (bv nie die verwydering van kalk skaal; water neerslag; insek besmetting, en / of verbrande produkte)
5. Enige misbruik, nalatige, onbehoorlike of toevallige beskadiging of sorg van die produk word die waarborg nietig en Creative Housewares (Pty) Ltd, sal nie aanspreeklik wees vir enige verlies of skade nie.
6. Enige poging tot herstel, of vervanging met ongemagtigde onderdele sal die waarborg nietig maak, so kontak 'n gemagtigde dienssentrum of diensagent vir enige diens of herstelwerk.
7. NB: Die waarborg op die vervangingsprodukt sal by die oorspronklike datum van aankoop bly en nie van die datum wanneer dit vervang is nie.
8. Alle herstelwerk dra 'n 3 maande waarborg selfs al val dit buite die 2-jaar waarborg tydperk.
9. Mellerware sal probeer om die herstelwerk te doen binne 'n redelike tyd in lyn met die industrie standaarde, maar kan nie verantwoordelik gehou word of aanspreeklik wees vir enige omstandighede nie onder ons beheer nie.

Herstelwerk buite die waarborg tydperk

As diens of herstelwerk benodig word buite die waarborg tydperk, is hierdie diens steeds beskikbaar, maar is alle vervoer / posgeld, onderdele en arbeidskoste op die kliënte se onkoste. Alle betaalbare herstelwerk sal skriftelike aanvaarding van die kwotasie vereis van die kliënt. Sodra Mellerware die groen lig ontvang sal ons onderneem om die herstel binne 'n redelike tyd en in dieselfde toestand te hou as wat die produk ontvang is. Alle herstelwerk is gewaarborg vir 3 maande vanaf die datum van die herstel.

Vir enige diens, navrae en klagtes kontak ons kliënte diens op 086 111 5006 of e-pos help@chwsa.co.za vanaf 08h00 tot 15h00, Maandag tot Vrydag, openbare vakansiedae uitgesluit. Let asseblief ook daarop dat die maatskappy gewoonlik gesluit is vir 2 weke gedurende Kersfees en Nuwejaar.

Stuur asseblief alle produkte vir herstel met posgeld vooruit betaal aan een van die diensentrums wat op die agterkant van hierdie bladsy verskyn.

AANLYN WAARBORG REGISTRASIE

Hoekom moet u die waarborg moet registreer?

Ons by Mellerware is trots om premium gehalte toestelle op die mark te bring, en as 'n verbintenis tot die vlak van gehalte bied ons 'n 2 jaar waarborg (1 Jaar Kleinhandel + 1 Jaar Uitgebreide) op al ons produkte. Ons hoor dikwels dat ons kliënte hul kwitansies verloor en kan dus nie meer eis as hulle 'n probleem het nie. Om voordeel te trek van die 1 Jaar Uitgebreide waarborg sal u nodig hê om u waarborg aanlyn te registreer binne die eerste jaar van aankoop om 'n geldige eis te maak. Nou kan u die produk aanlyn registreer, laai u waarborg en hoef u nooit te bekommer dat u die kwitansie sal verloor nie en die voordeel van u 2-jaar waarborg geniet.

Bygevoegde Voordele

Bykomend tot die verskaffing van 'n aanlyn profiel van u geregistreerde produkte bied ons ook vele ander toegevoegde waarde voordele:

- aansporings en kompetisies vir geregistreerde gebruikers
- nuwe resepte of idees vir u produkte
- nuwe produk ontwikkelings - die eerste wees om die nuutste toestelle te kry
- spesiale aanbiedings op promosie-items

Hoe om u Aanlyn Waarborg te Registreer?

STAP 1 Skep u gebruikersprofiel:

As u dit nie reeds gedoen het nie, besoek www.mellerware.co.za, klik op die "Product Registration" skakel en volg die maklike instruksies. U sal 'n gebruikersnaam en wagwoord ontvang sodra u geregistreer het. Dit sal u toegang tot u profiel gee.



STAP 2 Kies 'n registrasie metode:



REKENAAR/ SKOOTREK- ENAAR

- Maak u internet snuffelgids oop en besoek www.mellerware.co.za
- Klik op die "Registrasie" skakel en teken in met u gebruikersnaam en wagwoord.
- Klik op "Register your products" en laai kwitansies en volg die maklike instruksies.
- Skandeer en laai u strokie



SMART- FOON / TABLET

- Skandeer die QR-kode bo of besoek www.mellerware.co.za
- Klik op die "Registration" skakel en teken aan met u verbruikersnaam en wagwoord.
- Klik op "Register your products" en laai u kwitansie en volg die maklike instruksies.
- Skandeer of neem 'n foto en laai u strokie.



FAKS

- Faks die volgende na 021 931 4058
- Naam en Van
- Kontak telefoon en faksnommer.
- Produk model nommer en tipe.
- Traceability Code (wat op die Waarborgkaart of op 'n etiket op die produk gevind kan word)
- 'n Duidelike en leesbare afskrif van u ontvangs.

Notas:

1. Die aanlyn waarborg stelsel is 'n veilige stoor fasiliteit vir u strokies.
2. U sal gevra word om op die Mellerware webtuiste te registreer. U sal 'n gebruikersnaam en wagwoord ontvang. Dit sal u toegang gee tot u profiel.
3. Van u profiel u sal in staat wees om produkte te laai wat u gekoop het. Om u waarborg suksesvol te registreer sal u nodig hê om of te skandeer en oplaai, of faks u strokie deur na ons.
4. Alle instruksies oor hoe om u produkte te laai is beskikbaar binne in u profiel.
5. Let daarop dat u moet seker maak dat u kwitansie korrek op-

gelaai is. Creative Housewares kan nie verantwoordelik gehou word vir fakske of lêers nie ontvang nie.

6. Vir hulp met registrasie e-pos asseblief: marketing@chwsa.co.za

NB: U 1 jaar verlengde waarborg is slegs geldig indien u produk aanlyn geregistreer is binne die eerste jaar na die aankoop van u Mellerware produk. Indien u produk nie aanlyn geregistreer word binne die eerste jaar nie sal dit die verlengde waarborg nietig maak.

creative housewares

National Service Centre: 086 111 5006

e-mail: help@chwsa.co.za www.creativehousewares.co.za

Cape Town

20 Tekstiel Street, Parow, Cape Town, 7493,
South Africa • P.O. Box 6156 Parow East, 7501,
South Africa Tel: +27 21 931 8117
Fax: +27 21 931 4058

Durban

35 Adrian Road, Windermere,
Durban, South Africa, 4001
Tel: +27 31 303 3465
Fax: +27 31 303 8259

Johannesburg

Unit 25 & 26 San Croy Office park
Die Agora Road, Croydon, 1619
Tel: +27 11 392 5652
Fax: +27 11 392 1694

Durban
35 Adrain Road, Windermere,
Durban, South Africa, 4001
Tell: +27 31 303 3465
Fax: +27 31 303 8259

creative housewares
🏠 20 Tekstiel St, Parow. cape Town. 7493, RSA
✉ P.O. Box 6156 Parow East, 7501, RSA
☎ +27 21 931 8117 / Helpline: 086 111 5006
📞 +27 63 014 0457 📠 +27 21 931 4058
🌐 www.creativehousewares.co.za

Johannesburg
Unit 25 & 26 San Croy Office Park
Die Agora Road, Croydon, 1619
Tell: +27 11 392 5652
Fax: +27 11 392 1694

