

mellerware[®]

makes life easier

VOGUE sewing machine



13 Stitch functions

Four step
buttonholer

Electric foot
controller



complies with
INTERNATIONAL
IEC60335
SAFETY SPECIFICATIONS

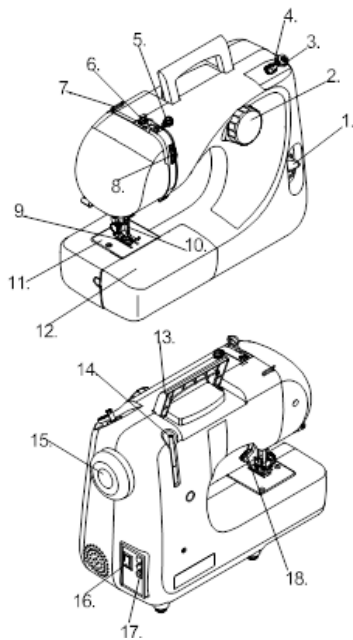
m
70W

2 YEAR
WARRANTY

Model:
23000

Dear customer,

Thank you for choosing to purchase a Mellerware brand product. Thanks to its technology, design and operation and the fact that it exceeds the strictest quality standards, a fully satisfactory use and long product life can be assured.



1. Parts description

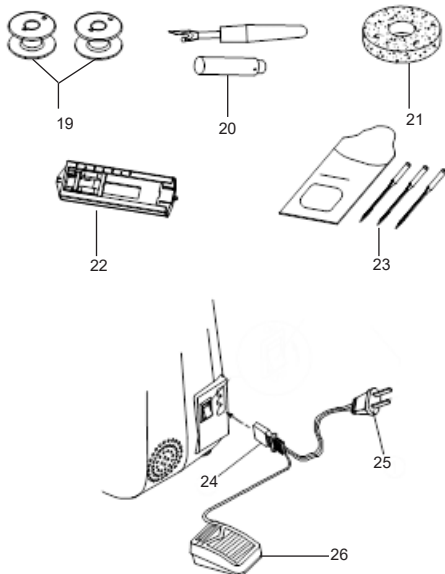
1. Reverse stitch lever
2. Stitch selector
3. Bobbin winding stopper
4. Bobbin winding pin
5. Bobbin winding thread guide
6. Thread take up lever
7. Thread guide
8. Thread tension dial
9. Presser foot
10. Needle
11. Needle plate
12. Extension table
13. Handle
14. Spool holder
15. Hand wheel
16. Power/light switch
17. Socket
18. Presse foot lever
19. Bobbin
20. Seam ripper
21. Felt pads
22. Buttonhole presser
23. Needles
24. Sewing machine plug
25. Power plug
26. Foot controller

2. Safety advice and warnings!

Read these instructions carefully before switching on the appliance and keep them for future reference. Failure to follow and observe these instructions could lead to an accident. Clean all the parts of the product as indicated in the cleaning section, before use.

2.1. Use or working environment:

- 2.1.1. Keep the working area clean and well lit. Cluttered and dark areas invite accidents.
- 2.1.2. Use the appliance in a well ventilated area.
- 2.1.3. Do not place the appliance on hot surfaces, such as cooking plates, gas burners, ovens or similar items.
- 2.1.4. Keep children and bystanders away when using this appliance.
- 2.1.5. Place the appliance on a horizontal, flat, stable surface.
- 2.1.6. Do not use the appliance in association with a programmer, timer or other device that automatically switches it on.



2.1.7. Do not use the appliance if the cable or plug is damaged.

2.1.8. Ensure that the voltage indicated on the rating label matches the mains power supply voltage before plugging in the appliance.

2.1.9. Connect the appliance to the mains power supply with an earth socket withstanding a minimum of 10 amperes.

2.1.10. The appliance's plug must fit into the mains power supply socket properly. Do not alter the plug.

2.1.11. If using a multi plug check ratings carefully as the current used by several appliances could easily exceed the rating of the multi plug.

2.1.15. If any of the appliance casings breaks, immediately disconnect the appliance from the mains power supply to prevent the possibility of an electric shock.

2.1.16. Do not use the appliance if it has fallen on the floor or if there are visible signs of damage.

2.1.17. Do not force the power cord. Never use the power cord to lift up, carry or unplug the appliance.

2.1.18. Do not wrap the power cord around the appliance.

2.1.19. Do not clip or crease the power cord.

2.1.20. Do not allow the power cord to hang or to come into contact with the hot surfaces of the appliance.

2.1.21. Check the state of the power cord. Damaged or tangled cables increase the risk of electric shock.

2.1.22. The appliance is not suitable for outdoor use.

2.1.23. Power cord should be regularly examined for signs of damage, and if the cord is damaged, the appliance must not be used.

2.1.24. Do not touch the plug with wet hands.

2.1.25. Never operate the sewing machine with any air openings blocked. Keep ventilation openings of the sewing machine and foot control free from the accumulation of lint, dust, and loose cloth.

2.1.26. Keep fingers away from all moving parts. Special care is required around the sewing machine needle.

2.1.27. Always use the proper needle plate. The wrong plate can cause the needle to break.

2.1.28. Do not use bent needles.

2.1.29. Do not pull or push fabric while stitching. It may deflect the needle causing it to break.

2.1.30. Switch the sewing machine off ("O") when making any adjustment in the needle area, such as threading needle, changing needle, threading bobbin, or changing presser foot, etc.

2.2. Personal safety:

2.2.1. CAUTION: Do not leave the appliance unattended during use as there is a risk of an accident.

2.2.2. This appliance is only for domestic use, not for industrial or professional use. It is not intended to be used by guests in hospitality environments such as bed and breakfast, hotels, motels, and other types of residential environments, even in farm houses, areas of the kitchen staff in shops, offices and other work environments.

2.2.3. This appliance is not intended for use by persons (including children) with reduced physical, sensory or mental capabilities, or lack of experience and knowledge, unless they have been given supervision or instruction concerning use of the appliance by a person responsible for their safety.

2.2.4. This appliance is not a toy. Children should be supervised to ensure that they do not play with the appliance.

2.3. Use and care:

2.3.1. Fully unroll the appliance's power cable before each use.

2.3.2. Do not use the appliance if the parts or accessories are not properly fitted.

2.3.3. Do not turn the appliance over while it is in use or connected to the mains power supply.

2.3.4. Unplug the appliance from the mains power supply when not in use and before undertaking any cleaning task.

2.3.5. This appliance should be stored out of reach of children.

2.3.6. Never leave the appliance unattended when in use and keep out of the reach of children.

2.3.7. If, for some reason, the appliance were to catch fire, disconnect the appliance from the mains power supply and DO NOT USE WATER TO PUT THE FIRE OUT.

2.4. Service:

2.4.1. Make sure that the appliance is serviced only by suitably qualified technician, and that only original spare parts or accessories are used to replace existing parts/accessories.

2.4.2. If the power cord is damaged, the manufacturer or its service agent or a similarly qualified person must replace it in order to avoid a hazard.

2.4.3. Any misuse or failure to follow the instructions for use renders the guarantee and the manufacturer's liability null and void.

3. Instructions for use

3.1. Before use:

3.1.1. Connecting the power supply

3.1.1.1. Set power switch to "OFF".

3.1.1.2. Insert plug into sewing machine socket.

3.1.1.3. Insert the power plug into the mains power outlet.

3.1.1.4. Set the power switch to "ON". The power light will turn on.

3.1.2. Winding the bobbin

3.1.2.1. Turn the handwheel to release the clutch.

Pull the spool holder out from the back of the machine, place felt pads and insert the doubling spindle into spool holder with thread direction shown in diagram.

- ① Spool holder
- ② Felt pads
- ③ Clew
- ④ Hand wheel
- ⑤ Thread guide

3.1.2.2. Pass thread from spool through thread guide as shown.

3.1.2.3. Wind the thread around bobbin winding thread guide.

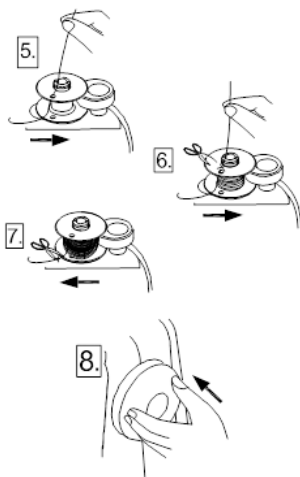
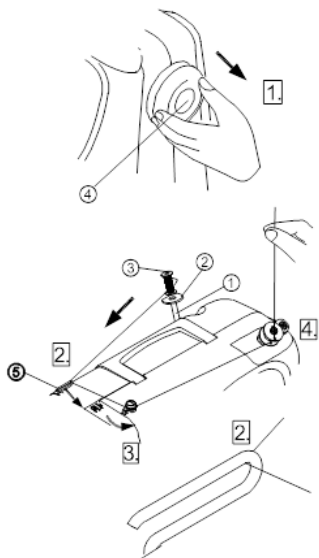
3.1.2.4. Place the bobbin on winding shaft and pass the bottom thread through the small hole of bobbin outwards from inside.

3.1.2.5. Push the winding shaft to the right.

3.1.2.6. Hold the thread and start the machine. After winding some bottom thread round the bobbin, stop the machine and cut off the thread end near small hole of bobbin.

3.1.2.7. Restart the machine. After full winding of the bobbin, it will automatically stop. At that time, stop the machine, leftwards push winding shaft to its original position and cut off thread.

3.1.2.8. Turn the handwheel to close the clutch.



3.1.3. Inserting the bobbin

3.1.3.1. When inserting or removing the bobbin, the needle and presser foot must be fully raised.

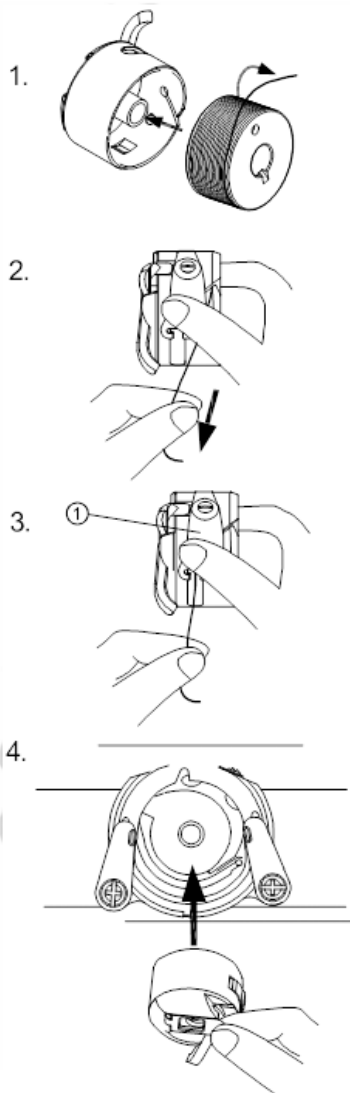
3.1.3.2. Hold the bobbin in your right hand with the thread running clockwise.

3.1.3.3. Insert the bobbin into the case with about 10 cm of thread showing outside the case.

3.1.3.4. Hold the latch open, with locating pin straight

up. Slide the bobbin case onto the center spindle of the shuttle, keeping the thread toward you.

NOTE: Be sure the locating pin fits into the locating groove at the top of the shuttle. Release the latch to lock the bobbin case in place.



3.1.4. Threading the upper thread

3.1.4.1. Place the top thread on the spool holder, with direction shown in diagram. Rotate the hand wheel to lift the take-up to the highest position. Lift the presser.

3.1.4.2. Start by turning the handwheel toward you to raise the needle and the thread take up lever. You should be able to see the take up

lever.

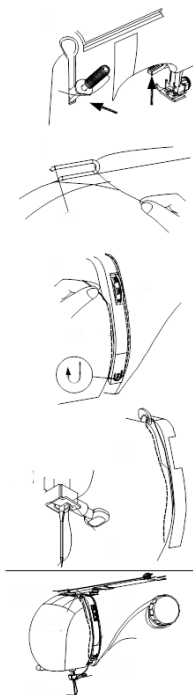
3.1.4.3. Raise the presser foot lifter. This is necessary in order for the machine to be threaded correctly.

3.1.4.4. Place the thread spool and spool cap onto the spool holder.

3.1.4.5. Draw thread from the spool through the upper thread guide at the top of the machine. Hold the thread with both hands and pull it into the pretension guide.

3.1.4.6. Bring the thread down the right channel, around the U-turn, and up the left channel.

At the top of the left channel, hook the thread from back to front through the slotted eye of the thread take-up lever. If the thread does not pass into the eye of the take-up lever, the machine will jam. After threading the take-up lever, bring the thread downward again. Pass the thread behind the metal thread guide and then down to the needle.



3.1.5. Stitch selection

3.1.5.1. To select a stitch, be sure needle is out of fabric at its highest position.

3.1.5.2. Then turn the selector until the required stitch is indicated by the symbol.

3.1.6. Adjusting top thread tension.

3.1.6.1. Balance of top tension - The tension is well balanced when the top threads lock in the middle of layers of the fabric you are sewing.

3.1.6.2. Rotate the thread selection dial to adjust top tension.

3.1.6.3. Adjust the top tension depending on the thickness and compactness of the fabric, the layers of fabric and the type of stitches being used.

3.2 Use and care:

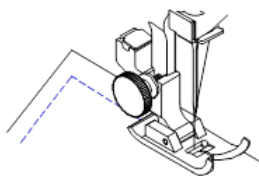
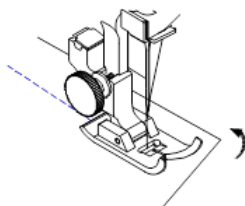
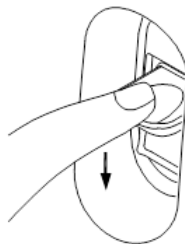
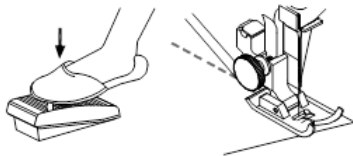
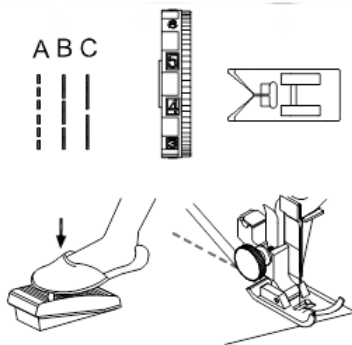
3.2.1. Straight stitch

3.2.1.1. Set the machine for Straight Stitch by setting the Stitch Selector Dial to straight stitch (A,B,C), set the thread tension between 2 and 6.

3.2.1.2. Place the fabric under the All-Purpose Foot or the Sew Easy Foot with the right-hand edge of the fabric lined up with the desired seam guide line on the right side of the needle plate. Lower the presser foot, then step on the foot control to begin sewing. Always make sure that the presser foot is lowered before you begin to sew. If you fail to do so, the machine will jam as you begin to sew. Start your seam by sewing 2 to 3 stitches. Press the reverse lever to sew backwards 2 to 3 stitches, which will lock the end of the seam so the stitches don't come undone. Release the reverse lever to sew forward again. Continue sewing the length of the seam. Press the reverse lever at the end of the seam and sew backwards 2 to 3 stitches. Release the reverse lever to sew forward again to finish.

3.2.1.3. Rectangular corner - On fabric margin, leave 1.6 cm rectangular-corner.

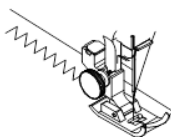
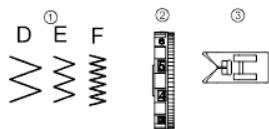
1. When sewing at the corner, stop sewing.
2. Rotate hand wheel towards the operator to lower needle.
3. Lift the presser and rotate the fabric to 1.6 cm guide.
4. Lower the presser and start sewing as the new direction



3.2.2. Stitching modes

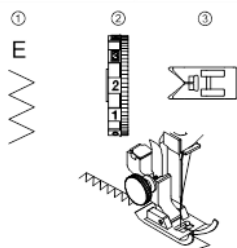
3.2.2.1. Basic Z Stitch - Tension 2 ~ 5

Z-stitch is one of common stitches and is used for stitching button, lock-stitching button hole, overlocking and decorative seam.



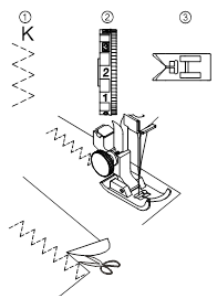
3.2.2.2. Overlocking - Tension 1 ~ 4

Use it for abutting and bluff finish of any fabric, start sewing from 0.3cm of fabric margin and make the needle drop outside of the margin at right.



3.2.2.3. Three-point Z seam - Tension 1 ~ 4

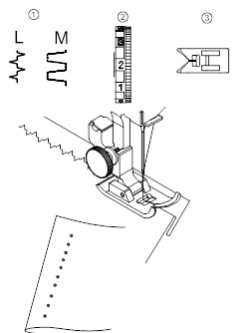
Used for sewing raw edge of crease sensitive synthetic elastic fabric such as rayon. At sewing, leave sufficient allowance at edge and after sewing dress the stitches with scissors



3.2.2.4. Blind seam - Tension 1~4

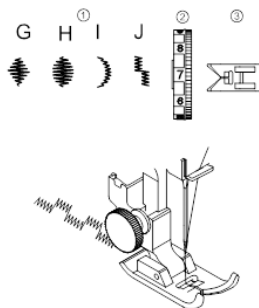
For thick fabric, overlock the raw edge, fold the fabric and leave 0.7 cm allowance at margin.

Place the fabric on the machine and make the needle just pass through left of folded portion of the fabric. After sewing, press the fabric to make blind stitch visible on its face side.



3.2.2.5. Decorative Stitch - Tension 6~8

Set the machine to the desired stitch by setting the Stitch Selector Dial to one of the decorative stitches.



3.2.3. Buttonhole Stitching

Buttonhole stitching

- 1 Selection of stitch
- 2 Thread tension dial
- 3 Buttonhole stitching presser

3.2.3.1. Fix buttonhole stitching presser, mark the buttonhole length on the fabric, place the fabric beneath presser with the buttonhole mark to the operator, move slide A on the presser to the operator, align mark C at the slide top with the beginning mark B and lower the presser.

3.2.3.2. Select stitch 1 and sew forward until you reach the front end of the button hole mark.

3.2.3.3. Select stitch 2 and make 4 to 6 stitches.

3.2.3.4. Select stitch 3 and start sewing buttonhole stitch.

3.2.3.5. Select stitch 2/4 and make 4 to 6 stitches.

3.2.3.6. Move out the fabric, place a pin on bottom of buttonhole to avoid cutting of barring stitch, and cut off the buttonhole with the ripping knife.

NOTE: Stitch the buttonhole at fabric margin as follows:

Corded buttonhole

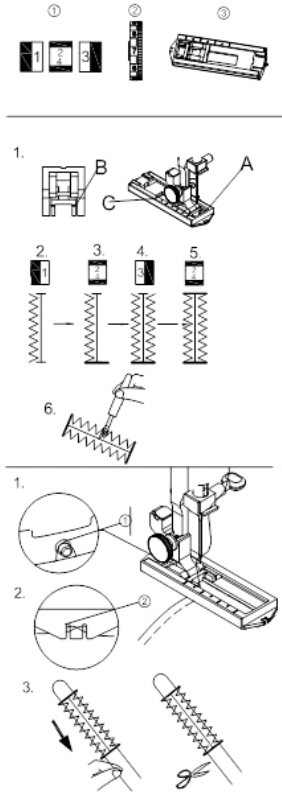
- Lift the buttonhole stitching presser, place the cord on rear fork of presser, pull the cord forwards beneath the presser to front fork of presser, and bind the cord at intersection of front fork.

- 1 Rear fork
- 2 Front fork

- Interlocking the buttonhole as above. After stitching the buttonhole, move out the fabric and cut off the

sewing thread.

-Tighten the left cord, move the cord to back of fabric with hand needle and then cut off the cord.



4. Cleaning and Maintenance

4.1. Replacing the needle:

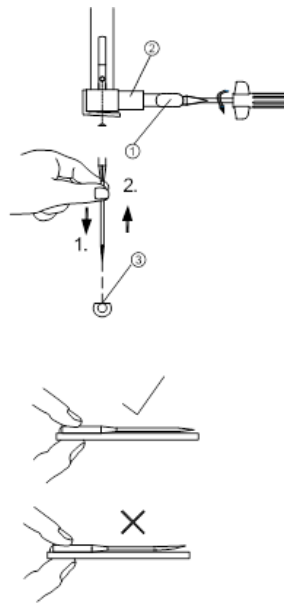
4.1.1. Ensure the sewing machine is powered off. Rotate hand wheel to lift the needle to the highest point and to lower the presser. Counterclockwise rotate needle set screw to take out needle.

4.1.2. Insert the new needle into needle fixing hole with its flat face backwards, upwards push the needle as far as possible and finally clockwise tighten set screw.

1 Needle set screw

2 Needle clamp

3 Needle plane

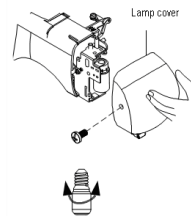


4.2. Changing the light bulb.

4.2.1. Ensure the power of the sewing machine is disconnected.

4.2.2. Remove lamp cover after unscrewing.

4.2.3. Take out old bulb and replace with the same type of bulb (15W).



4.3. Clean the outer parts of the appliance with a damp cloth with a few drops of washing-up liquid and then dry. CAUTION! Do not immerse electrical parts of the appliance in any liquid.

4.4. Do not use solvents, or products with an acid or base pH such as bleach, or abrasive products, for cleaning the appliance.

4.5. Never submerge the appliance in water or any other liquid or place it under running water.

5. Anomalies and repair

5.1. Take the appliance to an authorised support

centre if product is damaged or other problems arise.

5.2. If the connection to the mains has been damaged, it must be replaced and you should proceed as you would in the case of damage.

6. Trouble shooting guide

Trouble	Causes	Solution
Top thread broken	<ol style="list-style-type: none"> 1. Improper top threading. 2. Excessively tight top tension. 3. Blunt or bend needle. 4. Improper fixing of needle. 5. At start of sewing, top thread and bottom thread are not correctly fixed beneath the presser. 6. At end of sewing, the yarn is not threaded to back. 7. Excessively thick or too thin thread relatively to the needle. 	<p>Check or thread the top thread again; Check or change the needle.</p>
Breaking of bobbin thread	<ol style="list-style-type: none"> 1. The yarn of bobbin is not correctly threaded into bobbin case holder. 2. Cotton flock collected on bobbin case holder. 3. The bobbin is damaged and impossible to smoothly rotate. 	<p>Clean the shuttle/bobbin case. Adjust tension of top thread.</p>
Needle- broken	<ol style="list-style-type: none"> 1. Improper fixing of needle. 2. Blunt or bend needle. 3. Loosing of needle set screw. 4. Excessively tight top tension. 5. At end of sewing, the yarn is not threaded to back. 6. Too thin needle. 	<p>Check and change proper needle</p>
Skipping stitch	<ol style="list-style-type: none"> 1. Improper fixing of needle. 2. Blunt or bend needle. 3. The needle and (or) thread is unsuitable for the used fabric. 4. Improper top threading. 5. Incorrect selected needle. 	<p>Check and change proper needle. Check and threading the top thread again.</p>
Crease stitch	<ol style="list-style-type: none"> 1. Excessively tight top tension. 2. Improper top threading. 3. Excessively thick top thread for the used fabric. 	<p>Adjust tension of top thread</p>
Unsmooth feed	<ol style="list-style-type: none"> 1. Feed dog is wound by thread. 	<p>Clean the presser foot.</p>
Not rotation of machine	<ol style="list-style-type: none"> 1. Not surely inserting power plug. 2. Clamping thread at shuttle race. 3. Failure to replace the bobbin at original position after winding bobbin. 	<p>Check the power connector. Check and clean the shuttle. Check and pull/push the bobbin winding pin to primary position.</p>
Excessive noise of machine	<ol style="list-style-type: none"> 1. Not surely inserting power plug. 2. Clamping thread at shuttle race. 3. Failure to replace the bobbin at original position after winding bobbin. 	<p>Check and clean the shuttle. Check and pull/push the bobbin winding pin to primary position.</p>

Durban
35 Adrain Road, Windermere,
Durban, South Africa, 4001
Tell: +27 31 303 3465
Fax: +27 31 303 8259

creative housewares

 20 Tekstiel Street, Parow, Cape Town, 7493, South Africa
 P.O. Box 6156 Parow East, 7501, South Africa
 +27 21 931 8117  +27 21 931 4058
Service Centre Helpline: 086 111 5006
 www.creativehousewares.co.za

Johannesburg
Unit 25 & 26 San Croy Office Park
Die Agora Road, Croydon, 1619
Tell: +27 11 392 5652
Fax: +27 11 392 1694

