

mellerware®

makes life easier

GLOW 2200W Steam iron



complies with
INTERNATIONAL
IEC60335
SAFETY SPECIFICATIONS

m
2200W

**2 YEAR
WARRANTY**

Model:
23220A

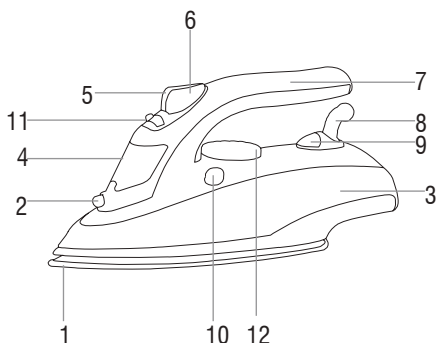
**2 YEAR
WARRANTY**
**1 YEAR RETAIL &
1 YEAR EXTENDED**



Register online: www.mellerware.co.za

Dear customer,

Thank you for choosing to purchase a Mellerware brand product. Thanks to its technology, design and operation and the fact that it exceeds the strictest quality standards, a fully satisfactory use and long product life can be assured.



1. Parts description

1. Soleplate
2. Spraying nozzle
3. Water tank
4. Water tank inlet cover
5. Spray button
6. Burst of steam button
7. Handle
8. Flexible cord protector
9. Pilot light
10. Self-clean button
11. Steam control
12. Temperature control knob

2. Safety advice and warnings!

Read these instructions carefully before switching on the appliance and keep them for future reference. Failure to follow and observe these instructions could lead to an accident. Clean all the parts of the product, as indicated in the cleaning section, before use.

2.1. Use or working environment:

- 2.1.1. Keep the working area clean and well lit. Cluttered and dark areas invite accidents.
- 2.1.2. Use the appliance in a well ventilated area.
- 2.1.3. Do not place the appliance on hot surfaces, such as cooking plates, gas burners, ovens or similar items.
- 2.1.4. Keep children and bystanders away when using this appliance.

2.1.5. Place the appliance on a horizontal, flat, stable surface suitable for withstanding high temperatures and away from other heat sources and contact with water.

2.1.6. Keep the appliance away from flammable material such as textiles, cardboard or paper, etc.

2.1.7. Do not place flammable material near the appliance.

2.1.8. Do not use the appliance in association with a programmer, timer or other device that automatically switches it on.

2.1.9. Do not use the appliance if the cable or plug is damaged.

2.1.10. Ensure that the voltage indicated on the rating label matches the mains power supply voltage before plugging in the appliance.

2.2.11. Connect the appliance to the mains power supply with an earth socket withstanding a minimum of 10 amperes.

2.1.12. The appliance's plug must fit into the mains power supply socket properly. Do not alter the plug.

2.1.13. If using a multi plug check ratings carefully as the current used by several appliances could easily exceed the rating of the multi plug.

2.1.14. If any of the appliance casings breaks, immediately disconnect the appliance from the mains power supply to prevent the possibility of an electric shock.

2.1.15. Do not use the appliance if it has fallen on the floor or if there are visible signs of damage.

2.1.16. Do not force the power cord. Never use the power cord to lift up, carry or unplug the appliance.

2.1.17. Do not wrap the power cord around the appliance.

2.1.18. Do not clip or crease the power cord.

2.1.19. Do not allow the power cord to hang or to come into contact with the hot surfaces of the appliance.

2.1.20. Check the state of the power cord. Damaged or tangled cables increase the risk of electric shock.

2.1.21. The appliance is not suitable for outdoor use.

2.1.22. Power cord should be regularly examined for signs of damage, and if the cord is damaged, the appliance must not be used.

2.1.23. Do not touch the plug with wet hands.

2.2. Personal safety:

2.2.1. **CAUTION:** Do not leave the appliance unattended during use as there is a risk of an accident.

2.2.2. Do not touch the heated parts of the appliance, as it may cause serious burns.

2.2.3. This appliance is only for domestic use, not for

industrial or professional use. It is not intended to be used by guests in hospitality environments such as bed and breakfast, hotels, motels, and other types of residential environments, even in farm houses, areas of the kitchen staff in shops, offices and other work environments.

2.2.4. This appliance is not intended for use by persons (including children) with reduced physical, sensory or mental capabilities, or lack of experience and knowledge, unless they have been given supervision or instruction concerning use of the appliance by a person responsible for their safety.

2.2.5. This appliance is not a toy. Children should be supervised to ensure that they do not play with the appliance.

2.3. Use and care:

2.3.1. Fully unroll the appliance's power cable before each use.

2.3.2. Do not use the appliance if the parts or accessories are not properly fitted. (if applicable)

2.3.3. Do not use the appliance when empty.

2.3.4. Do not leave the appliance unattended when connected to the mains power supply.

2.3.5. Do not cover the soleplate while the appliance is plugged in.

2.3.6. Unplug the appliance from the mains power supply when not in use and before undertaking any cleaning task.

2.3.7. This appliance should be stored out of reach of children.

2.3.8. Do not store the appliance if it is still hot.

2.3.9. Never leave the appliance unattended when in use and keep out of the reach of children.

2.3.10. If, for some reason, the appliance were to catch fire, disconnect the appliance from the mains power supply and **DO NOT USE WATER TO PUT THE FIRE OUT.**

2.4. Service:

2.4.1. Make sure that the appliance is serviced only by suitably qualified technician, and that only original spare parts or accessories are used to replace existing parts/accessories.

2.4.2. If the power cord is damaged, the manufacturer or its service agent or a similarly qualified person must replace it in order to avoid a hazard.

2.4.3. Any misuse or failure to follow the instructions for use renders the guarantee and the manufacturer's liability null and void.

3. Instructions for use

3.1. Before use:

3.1.1. Remove the appliance's protective film (if applicable).

3.1.2. Before using the appliance for the first time, clean the parts that will come into contact with clothes in the manner described in the cleaning section.

3.2. Use and care:

3.2.1. Unroll the power cord completely before plugging it in.

3.2.2. Place your appliance on a flat, dry, stable surface.

3.2.3. Connect the appliance to the mains power supply.


3.2 Filling with water:

3.2.1 Ensure the appliance is disconnected from the mains power supply.

3.2.2 Turn the steam control knob to position "0" or Minimum.

3.2.3 Fill with water through the water filling inlet. (Do not exceed the MAX level mark on the water tank.)

3.3. Setting the temperature:

LABEL	TYPE OF TEXTILE
	Do not iron this article
•	Synthetics, Nylon, Acrylics, Polyester, Rayon
••	Wool, Silk
•••	Cotton, Linen

3.3.1 Stand the iron upright.

3.3.2 Set the temperature control knob (M) to the desired ironing temperature.

3.3.3 Insert the mains plug in the main power supply.

3.3.4 After the pilot light has switch off and on, it means you may start ironing. The pilot light will switch on and off from time to time during ironing. When the pilot light is illuminated it means the ironing is heating. When the pilot light is off it means the desired temperature is reached.

3.4 Steam – ironing:

3.4.1 Set the temperature control knob (M) to position (*) or (**) for moderate steam and to (***) for maximum steam. With conventional steam irons, water may leak from the soleplate if the temperature is set too low.

3.4.2 Ensure there is sufficient water in the water tank.

3.4.3 Stand the iron on its heel.

3.4.4 Insert the mains plug in the mains wall socket.

3.4.5 Wait a bit for the pilot light to switch off and then on again.

3.4.6 Use the variable steam control button (L) to adjust the steam.

3.5 Burst of steam:

3.5.1 By pressing the burst of steam button (F) an intense "Burst" of steam is emitted from the soleplate.

3.5.2 To prevent water leaking from the soleplate, do not keep the burst of steam button pressed in for longer than 5 seconds

3.6 Spray setting:

3.6.1 By pressing the Spray button (E) the laundry can be damped down to make them softer and easy to iron.

3.6.2 Ensure that there is enough water in the water tank.

3.7 Dry ironing:

3.7.1 Turn the steam control (L) to the "0" or minimum position for no steam.

3.8 Vertical steam:

3.8.1 This appliance is capable of generating steam even when in the vertical position. This function is especially useful for refreshing clothes and curtains.

4. Cleaning and maintenance:

4.1. Before cleaning the iron ensure that it is disconnected from the power supply and has completely cooled down.

4.2. Do not use any abrasive cleaners.

4.3. Self-cleaning:

NB: "Self-cleaning" needs to be done at least every 2 months to remove impurities.

4.3.1 Fill the water tank to the MAX position.

4.3.2 Set the temperature control to MAX.

4.3.3 Insert the mains plug to the mains wall socket.

4.3.4 Allow the iron to heat up until the pilot light switches off. Then set the temperature to MIN position.

4.3.5 Hold the iron horizontally over the sink, then press and hold the self-clean button for approximately 5-10 seconds.

4.3.6 Boiling water and steam will now be ejected from the holes in the soleplate. The impurities are washed away with it. Gently move the iron back and forth while this is happening.

4.3.7 Repeat this process if there are too many impurities visible.

4.3.8 Dry the soleplate with a preferably old cloth.

4.3.9 Unplug and allow to cool completely before storing it.

4.4 Storage:

4.4.1 Unplug the appliance from the wall socket, empty the water tank and the iron to cool down completely.

4.1.2 To protect the soleplate, place the steam iron in an upright position.

5. Anomalies and repair

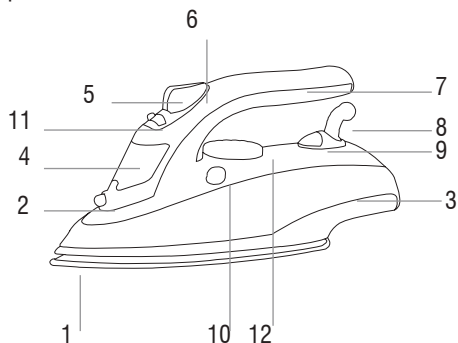
5.1. Take the appliance to an authorised support centre if product is damaged or other problems arise.

5.2. If the connection to the mains has been damaged, it must be replaced and you should proceed as you would in the case of damage.

Geagte Klient

Baie dankie vir u keuse om 'n Mellerware handelsmerk produk te koop

Danksy die tegnologie, ontwerp en werking en die feit dat dit voldoen aan die strengste gehalte standaarde, is u verseker van 'n volle bevredigende gebruik en lang produklewe



1. Parte beskrywing:

1. Strykyster hoof part
2. Stoom knoppie
3. Water tenk
4. Verstelbare temperatuur knop
5. Indikasje lig
6. Krag koord
7. kleefvrye plaat
8. Water maatbeker

2. Veiligheidsadvies en waarskuwings!

Lees hierdie instruksies sorgvuldig deur voordat u die toestel aanskakel en hou dit vir toekomstige verwysing. Versuim om hierdie instruksies te volg en op te let kan lei tot 'n ongeluk.

2.1. Gebruik of werksomgewing:

- 2.1.1 Hou die werk oppervlak skoon en helder verlig. Ongelukke gebeur in donker areas
- 2.1.2. Gebruik die produk in 'n goed geventileerde area
- 2.1.2. Gebruik die produk in 'n goed geventileerde area
- 2.1.3 Moenie die toestel naby 'n warm gas of elektriese brander of 'n warm oond plaas nie.
- 2.1.4. Streng toesig is nodig as die toestel naby of deur kinders gebruik word
- 2.1.5. Plaas toestel op 'n stabiele area en weg van water

2.1.6 'n Brand mag ontstaan as die rooster bedek is of aan vlambare materiaal raak, insluitende gordyne as dit in werking is

2.1.7 .

2.1.8. Die toestel is nie geskik om op 'n tydsbeheer toestel te Koppel nie

2.1.9. Moenie die toestel gebruik as die koord of prop beskadig is.

2.1.10. Maak seker die spanning soos aangedui op die gradering etiket kom ooreen met die hoofspanning

2.2.11. prop in elektriese uitlaat

2.1.12. die toestel prop moet in die hoof prop pas en Moenie die prop verander

2.1.13 Indien 'n multi prop gebruik word maak seker die toestel se strome oorskry nie die gradering van die multi prop

2.1.14 Moenie die toestel gebruik as die prop of koord beskadig is nie of enige sigbare skade aan die omhulsel is nie

2.1.15. Moenie die toestel gebruik as dit op die vloer geval het en daar is sigbare skade.

2.1.16 Moenie die koord gebruik om die toestel te dra, op te tel of van diemuurprop te ontkoppel nie

2.1.17. Die koord mag nooit om die toestel gedraai word nie.

2.1.18. moenie die koord plooi nie

2.1.19. Die koord Moenie oor die kant van die tafel of toonbank hang of aan warm oppervlaktes raak nie.

2.1.20. Maak seker die koord is nie beskadig of verstrengel nie.

2.1.21 Die toestel moet nie buite gebruik word nie

2.1.22. Moenie die prop met nat hande hanteer ni 2.2.

Persoonlike veiligheid:

2.2.1. **LET WEL:** Moenie die toestel sonder toesig laat nie

2.2.2. Moenie warm oppervlaktes aanraak nie gebruik handvatsels of knoppe want dit kan lei tot ernstige brandwonde

2.2.3 Die toestel is nie geskik vir industriële gebruik soos kantore, hotelle motelle en gastehuse

2.2.4. Die toestel is nie geskik vir gebruik deur verminderd fisiese verstandelike vermoens of gebrek aan ervaring of kennis tensy hulle opleiding gehad het

2.2.5. Die toestel is nie 'n speelding and kinders moet altyd toesig he om te verhoed dat hulle met die toestel speel

2.3. Gebruik en sorg:

2.3.1. Die kabel moet ten volle afgewikkel word voor

gebruik

2.3.2. Die toestel moet nie gebruik word as die parte of bykomstighede nie behoorlik pas

2. 3. 3 Die toestel moet nooit leeg gebruik word nie.

2. 3. 4 Die Toestel moet nooit gedraai word terwyl dit in werking is of in die muurprop gekoppel is

2. 3. 6. Ontkoppel die toestel van die hooftoevoer as dit nie in gebruik is nie en laat dit heeltemal afkoel voordat dit skoonmaak word. As dele afgehaal word of toegevoeg word, moet die toestel nie in werking wees nie.

2. 3. 7. Die toestel moet buite bereik van kinders gestoor word

2. 3. 8. Die toestel moet heeltemal afkoel voor dit gestoor word

2. 3. 9 Die toestel moet altyd onder toesig wees wanneer in gebruik en moet buite bereik van kinders gehou word

2. 3. 10 As die toestel aan die brand slaan ontkoppel van die muursok en gooi n kombuis vadoek oor **MOET NOOIT WATER GEBRUIK!!!**

2.3.9. Om die kleefvrye plaat in goeie toestand te hou, moenie metaal of skerp gereedskap krap nie.

2.3.10. Moenie meer as MAX oorskrei nie (Fig. 1)

2.3.11. Skakel die toestel af en ontkoppel van muurprop voordat die watertenk hervul word.

2.3.12. Om te verseker dat die yster goed funksioneer, hou die yster plaat glad en moenie dat dit aan metaal voorwerpe (byvoorbeeld, die strykpil, knoppies, ritsluiters) hak nie

2.3.13. Die gebruik van gedistilleerde water word aanbeveel, veral as die water in jou area waar water hard is en bevat (bevat kalsium of magnesium).

2.3.14. Die wateropvulopening moet nie oopgelaat word nie

2.4. Diens:

2.4.1. Die toestel moet deur 'n gekwalifiseerde tegnisienspersoon gebruik word

2.4.2 As die koord beskadig word moet dit deur die diensagent of 'n gekwalifiseerde persoon vervang word om brandgevaar te verhoed

2.4.3. Enige misbruik en mislukking om instruksies te volg lewer die waarborg nul en van gener waarde

3. Instruksies vir gebruik

3.1. Voor gebruik:

3.1.1. Verwyder alle verpakking materiaal voor gebruik

3.1.2. Voor die toestel vir die eerste keer gebruik word maak alle parte skoon wat met kos in aanraking kom soos voorgeskryf in skoonmaak artikel

3.1.3. Die eerste keer dat die toestel gebruik word, kan 'n ligte rook bespeur word.

3.2. Volmaak met water:

3.2.1. Ontkoppel voor watertenk hervul word

3.2.2. Hou die strykyser in horisontale posisie.

3.2.3. Gooi water stading in.


3.2.3. Moenie verby die MAX merk hervul nei.

LET WEL: Jou yster is ontwerp om kraanwater te gebruik. As die water egter baie hard is, is dit raadsaam om gedistilleerde water te gebruik. Die watertenk moet na elke gebruik leeggemaak word.

3.3. Gebruik:

3.3.1. Kontroleer altyd of 'n etiket met strykinstruksies aangeheg is aan die kledingstuk wat gestryk moet word. Volg altyd hierdie instruksies.

3.3.2. Draai die temperatuur verstel knop om die toepaslike temperatuur na die strykinstruksies op die etiket te stel.

LABEL	TYPE OF TEXTILE
	Do not iron this article
•	Synthetics, Nylon, Acrylics, Polyester, Rayon
••	Wool, Silk
•••	Cotton, Linen

3.3.3. Konekteer aan die muurprop. Die indikatorlindi-kasie lig sal aangaan.

3.3.4. Wanneer die indikasie lig afgeskakel, mag jy begin stryk

VOORSIENING: Begin eers stryk teen a lae temperatuur en gaan dan na 'n hoer temperatuur toe. As jy teen 'n lae temperatuur moet stryk, moet jy na die gebruik van 'n hoë temperatuur wag vir die indikasie lig om weer te verlig of jy sal jou klere verbrand. Dit sal die waarborg kanselleer.

3.4. Droog stryk:

3.4.1. Die yster kan op die droëstelling gebruik word sonder enige water in die watertenk. Dit is die beste om te vermy dat die watertenk vol is terwyl dit droog word..

3.4.2. Draai die stoom kontrole na minimum

3.4.3. Kies die stelling op die temperatuur knop wat geskik is vir die gebruik van die stof.

3.5. Stoom stryk:

3.5.1. Stel die temperatuur reguleerder na die "•••" of "•••" posisie.

3.5.2. Stel stoom reguleerder beheer na gewenste posisie

3.6. Na gebruik:

3.6.1. Stel die temperatuur reguleerder na minimum posisie.

3.6.2. ontkoppel van hooftoevoer

3.6.3. Gooi water uit die water tenk.

3.6.4. Maak skoon soos in die skoonmaak seksie

4. Skoonmaak:

4.1. Voor skoonmaak begin ontkoppel van muurprop en laat heeltemal afkoel

4.3. Maak die buitekant van die toestel skoon met 'n klam lap met 'n paar druppels opwasmiddel en maak droog. **VERSIGTIG!** Moet nie elektriese dele van die toestel in enige vloeistof dompel nie.

4.4. Moet nie oplosmiddels, of produkte met 'n suur gebruik nie

Of basis pH soos bleikmiddel, of skuurprodukte, vir die skoonmaak van die apparaat.

4.5. Moet nooit die apparaat in water of enige ander vloeistof dompel of onder lopende water hou nie.

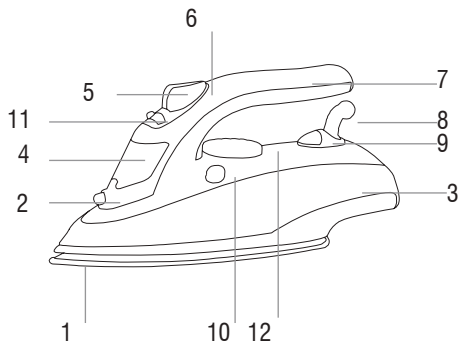
5. Anomalies and herstel

5.1. Neem die toestel na 'n gemagtigde tegniese sentrum as toestel beskadig is of probleme ontstaan.

5.2. As konneksie na muurprop beskadig is, moet die toestel vervang word

Estimado cliente,

Gracias por elegir comprar un producto de la marca Mellerware. Gracias a su tecnología, diseño y funcionamiento, y al hecho de que supera los más estrictos estándares de calidad, puede garantizarse un uso totalmente satisfactorio y una larga vida del producto.



1. Descripción de piezas

1. Cuerpo de hierro
2. Botón de vapor
3. Tanque de agua
4. Dial de temperatura ajustable
5. Luz indicadora
6. Cable de alimentación
7. Suela antiadherente
8. Taza medidora de agua

2. Consejos y advertencias de seguridad!

Lea atentamente estas instrucciones antes de encender el aparato y guárdelas para futuras consultas. El incumplimiento de estas instrucciones podría dar lugar a un accidente. Limpie todas las partes del producto que estarán en contacto con los alimentos, como se indica en la sección de limpieza, antes de usarlas.

2.1. Uso o ambiente de trabajo:

- 2.1.1. Mantenga el área de trabajo limpia y bien iluminada. Las áreas desordenadas y oscuras invitan a accidentes.
- 2.1.2. Utilice el aparato en un lugar bien ventilado.
- 2.1.3. No coloque el aparato sobre superficies calientes, tales como placas de cocción, quemadores de gas, hornos o artículos similares.
- 2.1.4. Mantenga alejados a los niños y transeúntes cuando utilice este aparato.

2.1.5. Coloque el aparato sobre una superficie horizontal, plana, estable y alejado de otras fuentes de calor y en contacto con agua.

2.1.6. Mantenga el aparato alejado de materiales inflamables tales como textiles, cortinas, cartón o papel, etc.

2.1.7. No coloque material inflamable cerca del aparato.

2.1.8. No utilice el aparato en combinación con un programador, temporizador u otro dispositivo que lo encienda automáticamente.

2.1.9. No utilice el aparato si el cable o el enchufe están dañados.

2.1.10. Asegúrese de que la tensión indicada en la etiqueta de características coincide con la tensión de red antes de enchufar el aparato.

2.2.11. Conecte el aparato a la red de alimentación con una toma de tierra soportando un mínimo de 10 amperios.

2.1.12. El enchufe del aparato debe encajar correctamente en la toma de corriente. No altere el enchufe.

2.1.13. Si se utiliza un multi enchufe comprobar las calificaciones con cuidado como la corriente utilizada por varios aparatos podría fácilmente exceder la clasificación de la multi-enchufe.

2.1.14. Si se rompe alguna de las cubiertas del aparato, desconecte inmediatamente el aparato de la red eléctrica para evitar la posibilidad de una descarga eléctrica.

2.1.15. No utilice el aparato si ha caído en el suelo o si hay signos visibles de daños.

2.1.16. No fuerce el cable de alimentación. Nunca utilice el cable de alimentación para levantar, transportar o desenchufar el aparato.

2.1.17. No envuelva el cable de alimentación alrededor del aparato.

2.1.18. No sujete ni doble el cable de alimentación.

2.1.19. No permita que el cable de alimentación cuelgue o entre en contacto con las superficies calientes del aparato.

2.1.20. Compruebe el estado del cable de alimentación. Los cables dañados o enredados aumentan el riesgo de descarga eléctrica.

2.1.21. El aparato no es adecuado para uso en exteriores.

2.1.22. El cable de alimentación debe ser examinado regularmente para detectar signos de daño, y si el cable está dañado, el aparato no debe usarse.

2.1.23. No toque el enchufe con las manos mojadas.

2.2. Seguridad personal:

2.2.1. **PRECAUCIÓN:** No deje el aparato desatendido

durante el uso, ya que existe el riesgo de un accidente.

2.2.2. No toque las partes de calentamiento del aparato, ya que podría causar lesiones graves.

2.2.3. Este aparato es sólo para uso doméstico, no para uso industrial o profesional. No está destinada a ser utilizada por los huéspedes en ambientes de hospitalidad como bed and breakfast, hoteles, moteles y otros tipos de ambientes residenciales, incluso en casas de granja, áreas del personal de cocina en tiendas, oficinas y otros ambientes de trabajo.

2.2.4. Este aparato no está diseñado para ser usado por personas (incluyendo niños) con capacidades físicas, sensoriales o mentales reducidas, o por falta de experiencia y conocimiento, a menos que hayan recibido supervisión o instrucciones sobre el uso del aparato por una persona responsable de su seguridad.

2.2.5. Este aparato no es un juguete. Los niños deben ser supervisados para asegurarse de que no juegan con el aparato.

2.2.6. No toque las partes metálicas de la plancha mientras esté en uso, ya que podría causar quemaduras graves.

2.2.7. La temperatura de las superficies accesibles puede ser alta cuando el aparato está en uso.

2.3. Uso y cuidado:

2.3.1. Desenrolle completamente el cable de alimentación del aparato antes de cada uso.

2.3.2. No utilice el aparato si las piezas o accesorios no están correctamente instalados.

2.3.3. No encienda el aparato mientras esté en uso o conectado a la red eléctrica.

2.3.4. Desconecte el aparato de la red eléctrica cuando no esté en uso y antes de realizar cualquier tarea de limpieza.

2.3.5. Este aparato debe guardarse fuera del alcance de los niños.

2.3.6. No guarde el aparato si todavía está caliente.

2.3.7. Nunca deje el aparato desatendido cuando esté en uso y manténgalo fuera del alcance de los niños.

2.3.8. Si por alguna razón, el aparato se incendia, desconecte el aparato de la red eléctrica y **NO USE AGUA PARA DESCONECTAR EL FUEGO.**

2.3.9. Para mantener el tratamiento antiadherente en buenas condiciones, no utilice utensilios de metal o puntiagudos.

2.3.10. Respete el indicador de nivel MAX (Fig. 1)

2.3.11. Desconecte el aparato de la red antes de rellenar el tanque de agua.

2.3.12. Para asegurarse de que el hierro funcione correctamente, mantenga la cara de hierro lisa y no la

golpee contra objetos metálicos (por ejemplo, la tabla de planchar, botones, cremalleras).

2.3.13. Se recomienda el uso de agua destilada; Especialmente si el agua en su área contiene cualquier tipo de arena o es “duro” (contiene calcio o magnesio).

2.3.14. La abertura de llenado de agua no debe dejarse abierta mientras se está utilizando el hierro.

2.4. Servicio:

2.4.1. Asegúrese de que el aparato sea reparado únicamente por un técnico cualificado y que sólo se utilicen piezas de repuesto o accesorios originales para sustituir las piezas / accesorios existentes.

2.4.2. Si el cable de alimentación está dañado, el fabricante o su agente de servicio o una persona cualificada debe reemplazarlo para evitar un peligro.

2.4.3. Cualquier mal uso o incumplimiento de las instrucciones de uso hace nula la garantía y la responsabilidad del fabricante.

3. Instrucciones de uso

3.1. Antes de usar:

3.1.1. Retire la película protectora del aparato (si corresponde).

3.1.2. Antes de utilizar el producto por primera vez, limpie de la manera descrita en la sección de limpieza.

3.1.3. La primera vez que se utilice el aparato se puede detectar un humo ligero.

3.2. Llenando con agua:

3.2.1. Desconecte la plancha antes de llenar el tanque de agua.

3.2.2. Sujete la plancha en posición horizontal.

3.2.3. Vierta lentamente el agua a través de la entrada de agua.


3.2.3. No llene más allá de la marca “MAX” en el depósito de agua. **NOTA:** Su plancha está diseñada para usar agua del grifo, sin embargo, si el agua es muy dura, se recomienda usar agua destilada. El tanque de agua debe vaciarse después de cada uso.

3.3. Manejo:

3.3.1. Siempre verifique si una etiqueta con instrucciones de planchado está unida al artículo de ropa que se va a planchar. Siga estas instrucciones en todos los casos.

3.3.2. Gire el dial de control de temperatura para ajustar la temperatura apropiada indicada en las instruc-

ciones de planchado o en la etiqueta de la tela.

ETIQUETA	TIPO DE TEJIDOS
	No planchar este artículo
•	Sintéticos, Nylon, Acrílico, Poliéster, Rayón
••	Lana, Seda
•••	Algodón, lino

3.3.3. Inserte el enchufe en la toma de corriente. El indicador luminoso se iluminará.

3.3.4. Cuando la luz indicadora se apague, puede empezar a planchar. **PRECAUCIÓN:** Hierro de baja temperatura primero, luego mueva a tejidos de alta temperatura. Si necesita planchar a baja temperatura, después de usar una temperatura alta debe esperar a que la luz piloto se ilumine nuevamente o quemará su ropa en la plancha. Esto anulará la garantía.

3.4. Planchado en seco:

3.4.1. El hierro se puede utilizar en el ajuste seco sin agua en el tanque de agua, lo mejor es evitar tener el tanque de agua llena durante el planchado en seco.

3.4.2. Gire el control de vapor variable a la posición mínima.

3.4.3. Seleccione el ajuste en el dial de control de temperatura más adecuado para la tela que se va a utilizar.

3.5. Planchado a vapor:

3.5.1. Coloque el dial de control de temperatura en la posición “••” o “•••”.

3.5.2. Coloque el control de vapor variable en la posición deseada.

3.6. Una vez que haya terminado de utilizar el aparato:

3.6.1. Seleccione la posición mínima (MIN) utilizando el control del termostato.

3.6.2. Desconecte el aparato de la red eléctrica.

3.6.3. Retire el agua del tanque de agua.

3.6.4. Limpie el aparato como se describe en la sección de limpieza.

4. Limpieza

4.1. Desconecte el aparato de la red eléctrica y deje

que se enfríe completamente antes de realizar cualquier tarea de limpieza.

4.3. Limpie las partes exteriores del aparato con un paño húmedo con unas gotas de detergente y luego seque. **¡PRECAUCIÓN!** No sumerja las partes eléctricas del aparato en ningún líquido.

4.4. No utilice disolventes, ni productos con un pH ácido o base, tales como lejía, o productos abrasivos, para limpiar el aparato.

4.5. Nunca sumerja el aparato en agua o cualquier otro líquido o colóquelo bajo agua corriente.

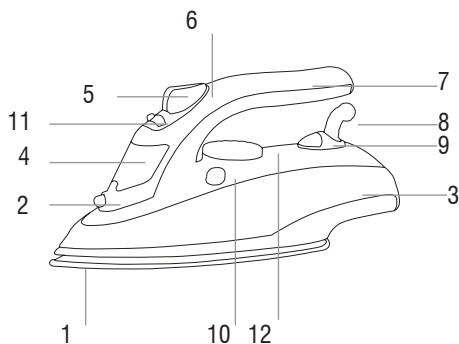
5. Anomalías y reparación

5.1. Lleve el aparato a un centro de asistencia autorizado si el producto está dañado o si surgen otros problemas.

5.2. Si la conexión a la red ha sido dañada, debe ser reemplazada y debe proceder como lo haría en caso de daños.

Cher client,

Merci d'avoir choisi d'acheter un produit de marque Mellerware. Grâce à sa technologie, sa conception et son fonctionnement et le fait qu'elle dépasse les normes de qualité les plus strictes, une utilisation parfaitement satisfaisante et une longue durée de vie du produit peuvent être assurées.



1. Description des pièces

1. Corps de fer
2. Bouton de vapeur
3. Réservoir d'eau
4. Cadran de température réglable
5. Voyant lumineux
6. Cordon d'alimentation
7. Semelle antiadhésive
8. Tasse à mesurer l'eau

2. Conseils et avertissements de sécurité!

Lisez attentivement ces instructions avant d'allumer l'appareil et conservez-les pour référence ultérieure. Le non-respect et observation de ces instructions peuvent entraîner un accident. Nettoyez toutes les parties du produit qui seront en contact avec les aliments, comme indiqué dans la section de nettoyage, avant utilisation.

2.1. Environnement d'utilisation ou de travail:

- 2.1.1. Gardez la zone de travail propre et bien éclairée. Les zones obsolètes et obscures invitent des accidents.
- 2.1.2. Utilisez l'appareil dans un endroit bien ventilé.
- 2.1.3. Ne placez pas l'appareil sur des surfaces chaudes, telles que des plaques de cuisson, des brûleurs à gaz, des fours ou des articles similaires.

- 2.1.4. Tenir à l'écart des enfants et des personnes présentes lors de l'utilisation de cet appareil.
- 2.1.5. Placez l'appareil sur une surface horizontale, plate et stable, apte à supporter des températures élevées et à l'écart des autres sources de chaleur et au contact de l'eau.
- 2.1.6. Gardez l'appareil à l'écart des matériaux inflammables tels que les textiles, les rideaux, le carton ou le papier, etc.
- 2.1.7. Ne placez pas de matière inflammable près de l'appareil.
- 2.1.8. N'utilisez pas l'appareil en association avec un programmeur, une minuterie ou un autre appareil qui l'allume automatiquement.
- 2.1.9. N'utilisez pas l'appareil si le câble ou la fiche est endommagé.
- 2.1.10. Assurez-vous que la tension indiquée sur l'étiquette d'évaluation correspond à la tension d'alimentation secteur avant de brancher l'appareil.
- 2.2.11. Connectez l'appareil à l'alimentation secteur avec une prise de terre résistant à un minimum de 10 ampères.
- 2.1.12. La fiche de l'appareil doit s'adapter correctement à la prise secteur. Ne modifiez pas la fiche.
- 2.1.13. Si vous utilisez une prise multiple, vérifiez bien les notes car le courant utilisé par plusieurs appareils pourrait facilement dépasser la note de la prise multiple.
- 2.1.14. Si l'une des enveloppes de l'appareil est en panne, débranchez immédiatement l'appareil de l'alimentation électrique afin d'éviter tout risque de choc électrique.
- 2.1.15. N'utilisez pas l'appareil s'il tombe sur le sol ou s'il y a des signes visibles de dégâts.
- 2.1.16. Ne forcez pas le cordon d'alimentation. N'utilisez jamais le cordon d'alimentation pour soulever, transporter ou débrancher l'appareil.
- 2.1.17. Ne pas enrouler le cordon d'alimentation autour de l'appareil.
- 2.1.18. Ne pas couper ni plier le cordon d'alimentation.
- 2.1.19. Ne laissez pas le cordon d'alimentation s'accrocher ou entrer en contact avec les surfaces chaudes de l'appareil.
- 2.1.20. Vérifiez l'état du cordon d'alimentation. Les câbles endommagés ou enchevillés augmentent le risque de choc électrique.
- 2.1.21. L'appareil ne convient pas pour une utilisation à l'extérieur.
- 2.1.22. Le cordon d'alimentation doit être régulièrement examiné pour détecter les signes de dommages et si le cordon est endommagé, l'appareil ne doit pas être utilisé.

2.1.23. Ne pas toucher la fiche avec les mains mouillées.

2.2. Sécurité personnelle:

2.2.1. **ATTENTION:** Ne laissez pas l'appareil sans surveillance lors de l'utilisation car il y a risque d'accident.

2.2.2. Ne touchez pas les parties chauffantes de l'appareil, car cela pourrait causer des blessures graves.

2.2.3. Cet appareil n'est utilisé qu'à usage domestique et non à usage industriel ou professionnel. Il n'est pas destiné à être utilisé par des invités dans des environnements d'hôtellerie tels que des chambres d'hôtes, des hôtels, des motels et d'autres types d'environnements résidentiels, même dans les maisons de ferme, les domaines du personnel de cuisine dans les magasins, les bureaux et autres environnements de travail.

2.2.4. Cet appareil n'est pas destiné à être utilisé par des personnes (y compris des enfants) avec des capacités physiques, sensorielles ou mentales réduites, ou un manque d'expérience et de connaissances, à moins d'avoir reçu une supervision ou des instructions concernant l'utilisation de l'appareil par une personne responsable de leur sécurité.

2.2.5. Cet appareil n'est pas un jouet. Les enfants doivent être surveillés pour s'assurer qu'ils ne jouent pas avec l'appareil.

2.2.6. Ne pas toucher les parties métalliques du fer pendant son utilisation, car cela peut causer des brûlures graves.

2.2.7. La température des surfaces accessibles peut être élevée lorsque l'appareil est utilisé.

2.3. Utilisation et soin:

2.3.1. Déroulez entièrement le câble d'alimentation de l'appareil avant chaque utilisation.

2.3.2. N'utilisez pas l'appareil si les pièces ou les accessoires ne sont pas correctement installés.

2.3.3. Ne rallumez pas l'appareil lorsqu'il est utilisé ou connecté à l'alimentation secteur.

2.3.4. Débranchez l'appareil de l'alimentation secteur lorsqu'il n'est pas utilisé et avant toute tâche de nettoyage.

2.3.5. Cet appareil doit être stocké hors de portée des enfants.

2.3.6. Ne rangez pas l'appareil s'il est encore chaud.

2.3.7. Ne laissez jamais l'appareil sans surveillance lorsqu'il est utilisé et gardez-le hors de portée des enfants.

2.3.8. Si, pour une raison quelconque, l'appareil devait prendre feu, débrancher l'appareil de l'alimentation

secteur et NE PAS UTILISER D'EAU POUR ÉTEINDRE LE FEU.

2.3.9. Pour garder le traitement antiadhésif en bon état, n'utilisez pas d'ustensiles métalliques ou pointues.

2.3.10. Respectez l'indicateur de niveau MAX (figure 1)

2.3.11. Débranchez l'appareil du secteur avant de remplir le réservoir d'eau.

2.3.12. Pour s'assurer que le fer fonctionne correctement, garder le visage en fer lisse et ne pas le frapper contre les objets métalliques (par exemple, la planche à repasser, les boutons, les fermetures à glissière).

2.3.13. L'utilisation d'eau distillée est recommandée, surtout si l'eau de votre région contient un type de grain ou est "dure" (contient du calcium ou du magnésium).

2.3.14. L'ouverture de remplissage d'eau ne doit pas être laissée ouverte pendant l'utilisation du fer.

2.4. Entretien:

2.4.1. Assurez-vous que l'appareil n'est entretenu que par un technicien qualifié et que seules les pièces de rechange d'origine ou les accessoires sont utilisés pour remplacer les pièces / accessoires existants.

2.4.2. Si le cordon d'alimentation est endommagé, le fabricant ou son agent d'entretien ou une personne qualifiée doit le remplacer afin d'éviter tout danger.

2.4.3. Toute utilisation abusive ou le non-respect des instructions d'utilisation rend la garantie et la responsabilité du fabricant nulle et non avenue.

3. Instructions d'utilisation

3.1. Avant utilisation:

3.1.1. Retirez le film de protection de l'appareil (le cas échéant).

3.1.2. Avant d'utiliser le produit pour la première fois, nettoyez-le de la manière décrite dans la section de nettoyage.

3.1.3. La première fois que l'appareil est utilisé, une fumée légère peut être détectée.

3.2. Remplissage avec de l'eau:

3.2.1. Débranchez le fer avant de remplir le réservoir d'eau.

3.2.2. Tenez le fer en position horizontale.

3.2.3. Verser lentement de l'eau dans l'entrée d'eau.


3.2.3. Ne pas remplir au-dessus de la "marque MAX" sur le réservoir d'eau. **REMARQUE:** Votre fer est conçu pour utiliser l'eau du robinet, cependant, si l'eau est très dure, il est conseillé d'utiliser de l'eau distillée. Le

réservoir d'eau doit être vidé après chaque utilisation.

3.3. Utilisation:

3.3.1. Toujours vérifier si une étiquette avec des instructions de repassage est attachée à l'article de vêtement à repasser. Suivez ces instructions dans tous les cas.

3.3.2. Tournez la molette de réglage de la température pour régler la température appropriée indiquée dans les instructions de repassage ou dans l'étiquette du tissu.

ÉTIQUETTE	TYPE DE TEXTILE
	Ne pas repasser cet article
•	Synthétique, Nylon, Acrylique, Polyester, Rayonne
••	Laine, soie
•••	Coton, lin

3.3.3. Insérez la fiche dans la prise murale. Le témoin lumineux s'allume.

3.3.4. Lorsque le voyant s'éteint, vous pouvez commencer à repasser. **ATTENTION:** le fer à partir de la basse température d'abord, puis passez à des tissus à haute température. Si vous devez planter à basse température, après avoir utilisé une température élevée, vous devez attendre que le témoin lumineux s'allume à nouveau ou que vous brûlez vos vêtements sur le fer. Cela annulera la garantie.

3.4. Repassage à sec:

3.4.1. Le fer peut être utilisé à l'état sec sans eau dans le réservoir d'eau, il est préférable d'éviter d'avoir le réservoir d'eau plein pendant le repassage à sec.

3.4.2. Tournez la commande de vapeur variable à la position minimale.

3.4.3. Sélectionnez le réglage sur la molette de contrôle de la température la mieux adaptée pour le tissu à utiliser.

3.5. Repassage à la vapeur:

3.5.1. Réglez la molette de réglage de la température sur la position "••" ou "•••".

3.5.2. Réglez la commande de vapeur variable à la position désirée.

3.6. Une fois que vous avez terminé l'utilisation de l'appareil:

3.6.1. Sélectionnez la position minimale (MIN) à l'aide de la commande du thermostat.

3.6.2. Débranchez l'appareil de l'alimentation secteur.

3.6.3. Retirez l'eau du réservoir d'eau.

3.6.4. Nettoyez l'appareil comme décrit dans la section de nettoyage.

4. Nettoyage

4.1. Débranchez l'appareil de l'alimentation secteur et laissez-le refroidir complètement avant d'entreprendre une tâche de nettoyage.

4.3. Nettoyez les parties extérieures de l'appareil avec un chiffon humide avec quelques gouttes de liquide vaisselle puis séchez. MISE EN GARDE! Ne pas immerger les pièces électriques de l'appareil dans un liquide quelconque.

4.4. N'utilisez pas de solvants ou de produits avec ou à base d'un acide pH tel que l'eau de javel ou des produits abrasifs pour nettoyer l'appareil.

4.5. Ne jamais immerger l'appareil dans de l'eau ou tout autre liquide ou le placer sous l'eau courante.

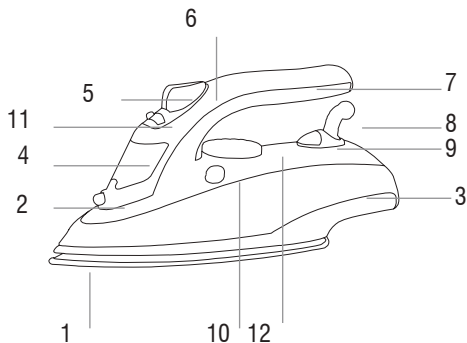
5. Anomalies et réparation

5.1. Amenez l'appareil dans un centre d'assistance autorisé si le produit est endommagé ou d'autres problèmes apparaissent.

5.2. Si la connexion au secteur a été endommagée, elle doit être remplacée et vous devez procéder comme vous le feriez en cas de dommage.

Estimado cliente,

Obrigado por escolher comprar um produto da marca Mellerware. Graças à sua tecnologia, design e operação e ao facto de exceder os padrões de qualidade mais rigorosos, pode ser assegurado um uso totalmente satisfatório e uma longa vida útil do produto.



1. Descrição das peças

1. Corpo do ferro
2. Botão do vapor
3. Tanque de água
4. Seletor de temperatura ajustável
5. Luz indicadora
6. Cabo de alimentação
7. Suavidade antiaderente
8. Copo de medição de água

2. Conselhos de segurança e avisos!

Leia atentamente estas instruções antes de ligar o aparelho e mantê-las para futuras referências. A falha em seguir e observar estas instruções pode levar a um acidente. Limpe todas as partes do produto que estarão em contato com alimentos, conforme indicado na seção de limpeza, antes de usar.

2.1. Ambiente de uso ou de trabalho:

- 2.1.1. Mantenha a área de trabalho limpa e bem iluminada. As áreas desordenadas e escuras convidam acidentes.
- 2.1.2. Use o aparelho em uma área bem ventilada.
- 2.1.3. Não coloque o aparelho sobre superfícies quentes, tais como placas de cozinhar, queimadores de gás, fornos ou itens similares.
- 2.1.4. Mantenha crianças e espectadores afastados quando usar este aparelho.

2.1.5. Coloque o aparelho sobre uma superfície horizontal, plana e estável, longe de outras fontes de calor e entre em contato com água.

2.1.6. Mantenha o aparelho longe de material inflamável, como têxteis, cortinas, papelão ou papel, etc.

2.1.7. Não coloque material inflamável perto do aparelho.

2.1.8. Não use o aparelho em associação com um programador, temporizador ou outro dispositivo que o liga automaticamente.

2.1.9. Não use o aparelho se o cabo ou a ficha estiverem danificados.

2.1.10. Certifique-se de que a tensão indicada na etiqueta de classificação corresponda à tensão de alimentação da rede antes de conectar o aparelho.

2.2.11. Conecte o aparelho à fonte de alimentação com um soquete de terra suportando um mínimo de 10 amperes.

2.1.12. A ficha do aparelho deve caber na tomada da rede elétrica corretamente. Não altere a ficha.

2.1.13. Se estiver usando uma ficha de verificação múltipla com cuidado, como a corrente usada por vários aparelhos pode ultrapassar facilmente a classificação do plugue múltiplo.

2.1.14. Se algum dos invólucros do aparelho se romper, desligue imediatamente o aparelho da fonte de alimentação para evitar a possibilidade de choque elétrico.

2.1.15. Não use o aparelho se cair no chão ou se houver sinais visíveis de danos.

2.1.16. Não force o cabo de alimentação. Nunca use o cabo de alimentação para levantar, transportar ou desconectar o aparelho.

2.1.17. Não enrole o cabo de alimentação em volta do aparelho.

2.1.18. Não prenda nem dobre o cabo de alimentação.

2.1.19. Não permita que o cabo de alimentação fique pendurado ou entre em contato com as superfícies quentes do aparelho.

2.1.20. Verifique o estado do cabo de alimentação. Cabos danificados ou emaranhados aumentam o risco de choque elétrico.

2.1.21. O aparelho não é adequado para uso externo.

2.1.22. O cabo de alimentação deve ser examinado regularmente quanto a sinais de danos, e se o cabo estiver danificado, o aparelho não deve ser usado.

2.1.23. Não toque na ficha com as mãos molhadas.

2.2. Segurança pessoal:

2.2.1. **CUIDADO:** Não deixe o aparelho sem vigilância

durante a utilização, pois existe o risco de um acidente.
2.2.2. Não toque nas peças de aquecimento do aparelho, pois pode causar ferimentos graves.

2.2.3. Este aparelho é apenas para uso doméstico, não para uso industrial ou profissional. Não se destina a ser usado por convidados em ambientes de hospitalidade, como cama e café da manhã, hotéis, motéis e outros tipos de ambientes residenciais, mesmo em casas de fazenda, áreas de cozinha em lojas, escritórios e outros ambientes de trabalho.

2.2.4. Este aparelho não está destinado a ser utilizado por pessoas (incluindo crianças) com capacidades físicas, sensoriais ou mentais reduzidas, ou falta de experiência e conhecimento, a menos que tenham sido supervisionadas ou instruídas sobre o uso do aparelho por uma pessoa responsável pela sua segurança.

2.2.5. Este aparelho não é um brinquedo. As crianças devem ser supervisionadas para garantir que não brinquem com o aparelho.

2.2.6. Não toque em partes metálicas do ferro enquanto estiver em uso, pois pode causar queimaduras graves.

2.2.7. A temperatura das superfícies acessíveis pode ser alta quando o aparelho está em uso.

2.3. Uso e cuidado:

2.3.1. Desligue completamente o cabo de alimentação do aparelho antes de cada uso.

2.3.2. Não utilize o aparelho se as peças ou acessórios não estiverem adequadamente instalados.

2.3.3. Não ligue o aparelho enquanto estiver em uso ou conectado à rede elétrica.

2.3.4. Desconecte o aparelho da fonte de alimentação quando não estiver em uso e antes de realizar qualquer tarefa de limpeza.

2.3.5. Este aparelho deve ser armazenado fora do alcance das crianças.

2.3.6. Não guarde o aparelho se ainda estiver quente.

2.3.7. Nunca deixe o aparelho sem vigilância quando estiver em uso e mantenha-se fora do alcance das crianças.

2.3.8. Se, por algum motivo, o aparelho incendiar, desconecte o aparelho da fonte de alimentação e **NÃO USE ÁGUA PARA PASSAR O INCÊNDIO**.

2.3.9. Para manter o tratamento antiaderente em boas condições, não use utensílios metálicos ou pontiagudos nele.

2.3.10. Respeite o indicador de nível MAX (Fig. 1)

2.3.11. Desconecte o aparelho da rede elétrica antes de recarregar o tanque de água.

2.3.12. Para garantir que o ferro funcione correta-

mente, mantenha a face de ferro suave e não bata contra objetos metálicos (por exemplo, tábua de engomar, botões, fechos de correr).

2.3.13. Recomenda-se o uso de água destilada; Especialmente se a água na sua área contém qualquer tipo de areia ou é “difícil” (contém cálcio ou magnésio).

2.3.14. A abertura de preenchimento de água não deve ser deixada aberta enquanto o ferro está sendo usado.

2.4. Serviço:

2.4.1. Certifique-se de que o aparelho é servido apenas por um técnico devidamente qualificado e que apenas peças sobressalentes originais ou acessórios são usados para substituir peças / acessórios existentes.

2.4.2. Se o cabo de alimentação estiver danificado, o fabricante ou o seu agente de serviço ou uma pessoa qualificada de forma similar devem substituí-lo para evitar um perigo.

2.4.3. Qualquer uso indevido ou falha em seguir as instruções de uso torna a garantia e a responsabilidade do fabricante nula e sem efeito.

3. Instruções de uso

3.1. Antes de usar:

3.1.1. Remova a película protetora do aparelho (se aplicável).

3.1.2. Antes de usar o produto pela primeira vez, limpe da maneira descrita na seção de limpeza.

3.1.3. A primeira vez que o aparelho é usado, uma fumaça leve pode ser detectada.

3.2. Encher com água:

3.2.1. Desconecte o ferro antes de encher o tanque de água.

3.2.2. Segure o ferro em uma posição horizontal.


3.2.3. Abasteça lentamente a água através da entrada de água.

3.2.3. Não preencha a “marca MAX no tanque de água”. NOTA: O seu ferro é projetado para usar a água da torneira, no entanto, se a água for muito difícil, é aconselhável usar água destilada. O tanque de água deve ser esvaziado após cada uso.

3.3. Usar:

3.3.1. Verifique sempre se um rótulo com instruções de engomar está ligado ao artigo de roupa a ser passado. Siga estas instruções em todos os casos.

3.3.2. Gire o botão de controle de temperatura para ajustar a temperatura apropriada indicada nas instruções de engomar ou na etiqueta de tecido.

ETIQUETA	TIPO DE TECIDOS
	Não engomar este artigo
•	Sintéticos, Nylon, Acrílicos, Poliéster, Rayon
••	Lã, Seda
•••	Algodão, Linho

3.3.3. Insira a ficha na tomada da parede. A luz indicadora acenderá.

3.3.4. Quando a luz indicadora desliga, você pode começar a passar. **CUIDADO:** Ferro de baixa temperatura primeiro, em seguida, mova para tecidos de alta temperatura. Se você precisar de ferro a baixa temperatura, depois de usar uma temperatura alta, você deve aguardar a luz piloto acender novamente ou você vai queimar suas roupas no ferro. Isso anulará a garantia.

3.4. Engomar a seco:

3.4.1. O ferro pode ser usado no ambiente seco sem qualquer água no tanque. Quando o tanque de água esteja cheio enquanto estiver a passar a seco, de água, é melhor evitar que o

3.4.2. Gire o controle de vapor variável para a posição mínima.

3.4.3. Selecione a configuração no botão de controle de temperatura mais adequado para o tecido a ser usado.

3.5. Engomar a vapor:

3.5.1. Ajuste o botão de controle de temperatura para a posição “•••” ou “••••”.

3.5.2. Defina o controle de vapor variável na posição desejada.

3.6. Depois de terminar o seu uso:

3.6.1. Selecione a posição mínima (MIN) usando o controle do termostato.

3.6.2. Desconecte o aparelho da fonte de alimentação.

3.6.3. Remova a água do tanque de água.

3.6.4. Limpe o aparelho conforme descrito na seção de limpeza.

4. Limpeza

4.1. Desconecte o aparelho da fonte de alimentação e deixe esfriar completamente antes de realizar qualquer tarefa de limpeza.

4.3. Limpe as partes externas do aparelho com um pano úmido com algumas gotas de líquido de lavagem e depois seque. **CUIDADO!** Não mergulhe peças elétricas do aparelho em nenhum líquido.

4.4. Não use solventes, nem produtos com um pH ácido ou de base, como alvejantes ou produtos abrasivos, para limpar o aparelho.

4.5. Nunca submergir o aparelho em água ou qualquer outro líquido ou colocá-lo sob água corrente.

5. Anomalias e reparação

5.1. Pegue o aparelho para um centro de suporte autorizado se o produto estiver danificado ou surjam outros problemas.

5.2. Se a conexão à rede tiver sido danificada, ela deve ser substituída e você deve proceder como faria em caso de danos.



Thank you for purchasing a Mellerware product. Mellerware guarantees that your product has been thoroughly inspected and tested before being dispatched and is free from mechanical and electrical defects and complies with the applicable safety standards. With every Mellerware product purchased you get a 2 year warranty as detailed in the terms and conditions below.

First Year – 1 Year Retail Warranty:

Should defects due to faulty parts or workmanship develop, under normal use, within 12 months from the original purchase date, please return the product to the store from where it was purchased for repair free of charge. However, for the customer's convenience we will replace products where the purchase price is equal to or less than R750 incl. VAT

Second Year – 1 Year Extended Warranty

Mellerware takes pride in their product quality and therefore offer an extended 12 month warranty over and above the 1 Year Retail Warranty. Should defects due to faulty material or workmanship develop, under normal domestic use, after the 12 month period and within 24 months from the original date of purchase, please return the product postage pre-paid to Mellerware for repair. Mellerware will repair the product free of charge and return it to you directly. Mellerware will replace a product with a similar product in the same or better condition, if the repair cannot be conducted for whatever reason.

NB: The 1 Year Extended Warranty is only valid for customers who have registered their warranty online at www.mellerware.co.za within the first year after making their purchase. See overleaf for details and instructions.

Before returning your product, check the following:

- Your household mains supply socket is in good condition, working and switched on.
- The mains supply circuit is not overloaded (White trip switch on your DB board is off).
- You have read the trouble shooting guide in your Instructions for Use.
- All accessories and parts are present.

The following conditions apply:

1. Please ensure you retain your original receipt as this must be presented when making a claim under the terms of the warranty. It is impossible to determine the warranty period without your original proof of purchase, so please keep this in a safe place. (NB. Your warranty can be scanned onto the Mellerware web site for safe storage – see reverse side for details.)
2. If a refund or exchange is required the product must be complete with all accessories, parts and packaging. Missing parts will render the warranty void.
3. Upon receipt of your appliance, check it for any transport damage to ensure it is safe for use. Return it to the store as soon as possible for exchange if damaged. The warranty is void if products are damaged after use, so please do not use the damaged product.
4. Your product is designed for normal domestic

household use. Failure to read and comply with the instructions for use, cleaning and maintenance will render your warranty void, so please read these instructions carefully to ensure your safety, and to get the most effective use from the product. (e.g. not removing lime scale; water deposits; insect infestation, and/or burnt products)

5. Any abuse, negligent, improper or accidental use or care will render the warranty void and Creative Housewares (Pty) Ltd will not be liable for any loss or damage.
6. Any attempted repair, or replacement of unauthorised parts will render the warranty void, so please contact an authorised service centre or service agent for any service or repair requirements.
7. NB: The warranty on replaced products will be from the original date of purchase and not from when the date replacement was made.
8. All repairs carry a 3 month warranty even if this falls outside of the 2 year warranty period.
9. Mellerware will attempt to conduct repairs within reasonable time in line with industry standards but cannot be held responsible or liable for any circumstances not under our control.
10. Terms and Conditions are subject to change without prior notice.

Repairs Out of the Warranty Period

If service or repair becomes necessary outside the warranty period, this service is still available however all transport/postage, spares and labour costs will be for the customers' account. All chargeable repairs will require the customers' written acceptance of the quote. Once the go-ahead has been received Mellerware will undertake to conduct the repair within a reasonable time and maintain the condition of the product as received. All repairs are warranted for 3 months from the date of the repair.

For any service, enquiries and complaints please contact our Customer Care on 086 111 5006 or e-mail help@chwsa.co.za from 08h00 to 15h00 Monday to Friday excluding public holidays. Please also note that the company is normally closed for 2 weeks around Christmas and New Year.

Please send all products for repair postage pre-paid to one of the service centres listed on the back of this page.

ONLINE WARRANTY REGISTRATION

Why register your warranty?

We at Mellerware pride ourselves on bringing premium quality appliances to market, and as a commitment to this level of quality we offer a 2 year warranty (1 Year Retail + 1 Year Extended) on all of our products. We often hear that our customers lose their receipts and can therefore no longer claim if they have a problem. To take advantage of the 1 Year Extended Warranty you will need to register your warranty online within the first year of purchase in order to make a valid claim. Now you can register your product, upload your warranty online, never have to worry about losing your receipt again and enjoy the benefit of your 2 year warranty.

Added Benefits

In addition to providing you with an online profile of your registered products we will also provide a host of value added benefits:

- Incentives and Competitions for registered users
- New recipes or ideas for your products
- New product developments – be the first to get the latest appliances
- Special offers on promotional items

How to Register your Online Warranty?

STEP1 Create your user profile:

If you haven't done so already, simply visit www.mellerware.co.za, click on the "Product Registration" link and follow the easy instructions. You will receive a user-name and password once registered. This will give you access to your user profile.



STEP2 Pick a registration method:



DESKTOP/ LAPTOP

- Open your internet browser and visit www.mellerware.co.za
- Click on the "Registration" link and login using your user name and password.
- Click on "Register your products and upload receipts" and follow the easy instructions.
- Scan and upload your receipt



SMART PHONE/ TABLET

- Scan the QR code above or visit www.mellerware.co.za
- Click on the "Registration" link and login using your user name and password.
- Click on "Register your products and upload receipts" and follow the easy instructions.
- Scan or take a photo and upload your receipt.



FAX

- Fax the following to 021 931 4058
- First Name and Surname
- Contact telephone and fax number.
- Product Model number and Type.
- Traceability Code (found on a label on the product)
- A clear and legible copy of your receipt.

Notes:

1. The online warranty system is a safe storage facility for your receipt.
2. You will be required to register on the Mellerware website. You will receive a username and password once registered. This will give you access to your profile.
3. From your profile you will be able to load products that you have purchased. In order to successfully register your warranty you will need to either scan and upload, or fax through your receipt to us.
4. All instructions on how to load your products are available

inside your profile.

5. Please note that you must check that your receipt has been uploaded correctly. Creative Housewares cannot be held responsible for faxes or files not received.
6. For assistance with registration please email: marketing@chwsa.co.za

NB: Your 1 year extended warranty is only valid if your product is registered online within the first year after purchasing your Mellerware product. Failure to register your product on-line within the first year will render the extended warranty as void.

creative housewares

National Service Centre: 086 111 5006

e-mail: help@chwsa.co.za

www.creativehousewares.co.za

Cape Town

20 Tekstiel Street, Parow, Cape Town, 7493,
South Africa • P.O. Box 6156 Parow East, 7501,
South Africa Tel: +27 21 931 8117
Fax: +27 21 931 4058

Durban

35 Adrain Road, Windermere,
Durban, South Africa, 4001
Tel: +27 31 303 3465
Fax: +27 31 303 8259

Johannesburg

Unit 25 & 26 San Croy Office Park
Die Agora Road, Croydon, 1619
Tel: +27 11 392 5652
Fax: +27 11 392 1694



Dankie vir die aankoop van 'n Mellerware produk. Mellerware waarborg dat u produk deeglik geïnspekteer en getoets word voordat dit versend word en is vry van meganiese en elektriese gebreke en voldoen aan die toepaslike veiligheidsstandaarde. Met elke Mellerware produk wat gekoop word kry u 'n 2 jaar waarborg soos uiteengesit in die terme en voorwaardes hieronder.

Eerste Jaar - 1 Jaar Kleinhandelswaarborg:

Indien defekte as gevolg van foutiewe onderdele of vakmanskap binne 12 maande onder normale huishoudelike gebruik ontwikkel, binne die 12 maande vanaf die oorspronklike datum van aankoop, neem asseblief die produk na die winkel van waar dit gekoop is vir 'n terugbetaling of vervanging.

Tweede Jaar - 1 Jaar Uitgebreide Waarborg

Mellerware is trots op die kwaliteit van die produk en bied dus 'n uitgebreide 12 maande waarborg bo en behalwe die 1 Jaar kleinhandelswaarborg. Indien defekte as gevolg van foutiewe materiaal of vakmanskap ontwikkel, onder normale huishoudelike gebruik, na die 12 maande tydperk en binne 24 maande vanaf die oorspronklike datum van aankoop, stuur die produk terug met posgeld betaal na Mellerware vir herstel. Mellerware sal die produk gratis herstel en dit direk aan u terugstuur. Mellerware sal die produk vervang met 'n soortgelyke produk in dieselfde of beter toestand, as die herstel nie uitgevoer kan word vir watter rede ookal nie.

NB: Die 1 Jaar Uitgebreide waarborg is slegs geldig vir kliënte wat hul waarborg geregistreer het op ons webtuiste by www.mellerware.co.za binne die eerste jaar nadat hulle dit aangekoop het. Sien keersy vir besonderhede en instruksies.

Voordat u die produk terug stuur, maak seker van die volgende:

- U huishoudelike geleidingsok is in 'n goeie toestand, werk en aangeskakel is,
- Die geleidingsok is nie oorlaai nie (Wit uitskop skakelaar op u DB bord af is),
- U het die moeilikheid steuringsgids gelees in u instruksies vir gebruik,
- Alle bykomstighede en dele teenwoordig is.

Die volgende voorwaardes geld:

1. Maak seker dat jou oorspronklike kwitansie behoue is, dit moet aangebied word wanneer 'n eis gemaak word onder die voorwaardes van die waarborg. Dit is onmoontlik om die waarborg tydperk te bepaal sonder die bewys van aankoop, so hou dit asseblief in 'n veilige plek. (NB. Jou oorspronklike waarborg kan opgeskandeer word na die Mellerware webtuiste vir veilige bewaring - sien keersy vir meer inligting.)
2. Indien 'n terugbetaling of omruiling van die produk nodig is moet die produk volledig wees met al die bykomstighede, onderdele en verpakking. Toebehore wat weg is sal die waarborg nietig maak.
3. Met ontvangs van u toestel, gaan dit na vir enige vervoer skade om te verseker dat dit veilig is vir gebruik. Stuur dit

so gou as moontlik terug na die winkel om die beskadigde toestel te vervang. Die waarborg is nietig indien die beskadigde produk gebruik word na die tyd, so moet asseblief nie die beskadigde produk gebruik nie.

4. U produk is ontwerp vir normale huishoudelike gebruik. Deur te versuim om die instruksies te lees en te voldoen aan die terme van gebruik, die skoonmaak en instandhouding van die produk maak u waarborg ongeldig, so lees asseblief hierdie instruksies versigtig om u veiligheid te verseker, en om die beste uit die gebruik van die produk te kry. (bv nie die verwydering van kalk skaal; water neerslag; insek besmetting, en / of verbrande produkte)
5. Enige misbruik, nalatige, onbehoorlike of toevallige beskadiging of sorg van die produk word die waarborg nietig en Creative Housewares (Pty) Ltd, sal nie aanspreeklik wees vir enige verlies of skade nie.
6. Enige poging tot herstel, of vervanging met ongemagtigde onderdele sal die waarborg nietig maak, so kontak 'n gemagtigde dienssentrum of diensagent vir enige diens of herstelwerk.
7. NB: Die waarborg op die vervangingsprodukt sal by die oorspronklike datum van aankoop bly en nie van die datum wanneer dit vervang is nie.
8. Alle herstelwerk dra 'n 3 maande waarborg selfs al val dit buite die 2-jaar waarborg tydperk.
9. Mellerware sal probeer om die herstelwerk te doen binne 'n redelike tyd in lyn met die industrie standaarde, maar kan nie verantwoordelik gehou word of aanspreeklik wees vir enige omstandighede nie onder ons beheer nie.

Herstelwerk buite die waarborg tydperk

As diens of herstelwerk benodig word buite die waarborg tydperk, is hierdie diens steeds beskikbaar, maar is alle vervoer / posgeld, onderdele en arbeidskoste op die kliënte se onkoste. Alle betaalbare herstelwerk sal skriftelike aanvaarding van die kwotasie vereis van die kliënt. Sodra Mellerware die groen lig ontvang sal ons onderneem om die herstel binne 'n redelike tyd en in dieselfde toestand te hou as wat die produk ontvang is. Alle herstelwerk is gewaarborg vir 3 maande vanaf die datum van die herstel.

Vir enige diens, navrae en klagtes kontak ons kliënte diens op 086 111 5006 of e-pos help@chwsa.co.za vanaf 08h00 tot 15h00, Maandag tot Vrydag, openbare vakansiedae uitgesluit. Let asseblief ook daarop dat die maatskappy gewoonlik gesluit is vir 2 weke gedurende Kersfees en Nuwejaar.

Stuur asseblief alle produkte vir herstel met posgeld vooruit betaal aan een van die diensentrums wat op die agterkant van hierdie bladsy verskyn.

AANLYN WAARBORG REGISTRASIE

Hoekom moet u die waarborg moet registreer?

Ons by Mellerware is trots om premium gehalte toestelle op die mark te bring, en as 'n verbintenis tot die vlak van gehalte bied ons 'n 2 jaar waarborg (1 Jaar Kleinhandel + 1 Jaar Uitgebreide) op al ons produkte. Ons hoor dikwels dat ons kliënte hul kwitansies verloor en kan dus nie meer eis as hulle 'n probleem het nie. Om voordeel te trek van die 1 Jaar Uitgebreide waarborg sal u nodig hê om u waarborg aanlyn te registreer binne die eerste jaar van aankoop om 'n geldige eis te maak. Nou kan u die produk aanlyn registreer, laai u waarborg en hoef u nooit te bekommer dat u die kwitansie sal verloor nie en die voordeel van u 2-jaar waarborg geniet.

Bygevoegde Voordele

Bykomend tot die verskaffing van 'n aanlyn profiel van u geregistreerde produkte bied ons ook vele ander toegevoegde waarde voordele:

- aansporings en kompetisies vir geregistreerde gebruikers
- nuwe resepte of idees vir u produkte
- nuwe produk ontwikkelings - die eerste wees om die nuutste toestelle te kry
- spesiale aanbiedings op promosie-items

Hoe om u Aanlyn Waarborg te Registreer?

STAP 1 Skep u gebruikersprofiel:

As u dit nie reeds gedoen het nie, besoek www.mellerware.co.za, klik op die "Product Registration" skakel en volg die maklike instruksies. U sal 'n gebruikersnaam en wagwoord ontvang sodra u geregistreer het. Dit sal u toegang tot u profiel gee.

STAP 2 Kies 'n registrasie metode:



REKENAAR/ SKOOTREK- ENAAR

- Maak u internet snuffelgids oop en besoek www.mellerware.co.za
- Klik op die "Registrasie" skakel en teken in met u gebruikersnaam en wagwoord.
- Klik op "Register your products" en laai kwitansies en volg die maklike instruksies.
- Skandeer en laai u strokie



SMART- FOON / TABLET

- Skandeer die QR-kode bo of besoek www.mellerware.co.za
- Klik op die "Registration" skakel en teken aan met u gebruikersnaam en wagwoord.
- Klik op "Register your products" en laai u kwitansie en volg die maklike instruksies.
- Skandeer of neem 'n foto en laai u strokie.



FAKS

- Faks die volgende na 021 931 4058
- Naam en Van
- Kontak telefoon en faksnommer.
- Produk model nommer en tipe.
- Traceability Code (wat op die Waarborgkaart of op 'n etiket op die produk gevind kan word)
- 'n Duidelike en leesbare afskrif van u ontvangs.



Notas:

1. Die aanlyn waarborg stelsel is 'n veilige stoor fasiliteit vir u strokies.
2. U sal gevra word om op die Mellerware webtuiste te registreer. U sal 'n gebruikersnaam en wagwoord ontvang. Dit sal u toegang gee tot u profiel.
3. Van u profiel u sal in staat wees om produkte te laai wat u gekoop het. Om u waarborg suksesvol te registreer sal u nodig hê om of te skandeer en oplaai, of faks u strokie deur na ons.
4. Alle instruksies oor hoe om u produkte te laai is beskikbaar binne in u profiel.
5. Let daarop dat u moet seker maak dat u kwitansie korrek op-

gelaai is. Creative Housewares kan nie verantwoordelik gehou word vir fakske of lêers nie ontvang nie.

6. Vir hulp met registrasie e-pos asseblief: marketing@chwsa.co.za

NB: U 1 jaar verlengde waarborg is slegs geldig indien u produk aanlyn geregistreer is binne die eerste jaar na die aankoop van u Mellerware produk. Indien u produk nie aanlyn geregistreer word binne die eerste jaar nie sal dit die verlengde waarborg nietig maak.

creative housewares

National Service Centre: 086 111 5006

e-mail: help@chwsa.co.za www.creativehousewares.co.za

Cape Town

20 Tekstiel Street, Parow, Cape Town, 7493,
South Africa • P.O. Box 6156 Parow East, 7501,
South Africa Tel: +27 21 931 8117
Fax: +27 21 931 4058

Durban

35 Adrian Road, Windermere,
Durban, South Africa, 4001
Tel: +27 31 303 3465
Fax: +27 31 303 8259

Johannesburg

Unit 25 & 26 San Croy Office park
Die Agora Road, Croydon, 1619
Tel: +27 11 392 5652
Fax: +27 11 392 1694

Durban
35 Adrain Road, Windermere,
Durban, South Africa, 4001
Tell: +27 31 303 3465
Fax: +27 31 303 8259

creative housewares
🏠 20 Tekstiel St, Parow. cape Town. 7493, RSA
✉ P.O. Box 6156 Parow East, 7501, RSA
☎ +27 21 931 8117 / Helpline: 086 111 5006
📞 +27 63 014 0457 📠 +27 21 931 4058
🌐 www.creativehousewares.co.za

Johannesburg
Unit 25 & 26 San Croy Office Park
Die Agora Road, Croydon, 1619
Tell: +27 11 392 5652
Fax: +27 11 392 1694

