

REGISTER YOUR MELLERWARE WARRANTY

Thank you for purchasing a Mellerware product. Mellerware guarantees that your product has been thoroughly inspected and tested before being dispatched and is free from mechanical or electrical defects and complies with the applicable safety standards. With every Mellerware product purchased you will receive up to a 3 year warranty as detailed in the terms and conditions below.

FIRST YEAR – 1 YEAR RETAIL WARRANTY

Should defects due to faulty parts or workmanship develop, under normal domestic use, within 12 months from the original date of purchase please return the product to the store from where it was purchased for a refund or replacement at the discretion of the brand. Mellerware appliances are intended for domestic use only and not for industrial or professional use. The Warranty, if the product is used outside of domestic use or used in a commercial environment, is reduced to 3 months with no extended warranty available, all other terms and conditions applicable.

SECOND YEAR – OPTIONAL 1 YEAR ADDITIONAL EXTENDED ONLINE WARRANTY REGISTRATION

Mellerware takes pride in its product quality and therefore offer an extended 12 month warranty over and above the 1 Year Retail Warranty. Should defects due to faulty material or workmanship develop, under normal domestic use, after the initial 12 month period and within 24 months from the original date of purchase, please return the product to Mellerware for repair. Mellerware will assess and repair the product free of charge should it be found to be a valid warranty claim and will return it to you directly. Mellerware will replace a product with a similar product of the same or better condition, if the repair cannot be conducted for whatever reason. Should the product fall outside of the warranty, Mellerware will produce a repair and delivery quotation for your approval.

NB: Registration should be completed at www.creativehousewares.co.za. Should you experience any technical difficulties you are welcome to contact our customer service line on 086 111 5006 and one of our consultants will gladly assist with the online warranty registration. Should you not register the product within the 12 months of purchase, you will automatically forfeit this extended warranty.

THIRD YEAR – OPTIONAL 1 YEAR ADDITIONAL EXTENDED COMMUNICATION OPT IN WARRANTY

Mellerware takes pride in its product quality and therefore offer an additional 12 month warranty over and above the 1 Year Retail and 1 year online registration warranty. Should defects due to faulty material or workmanship develop, under normal domestic use, after the initial 12 month period, the extended online registration 12 month period and within 36 months from the original date of purchase, please return the product to Mellerware for repair. Mellerware will assess and repair the product free of charge should it be found to be a valid warranty claim and will return it to you directly. Mellerware will replace a product with a similar product in the same or better condition, if the repair cannot be conducted for whatever reason. Should the product fall outside of the warranty, Mellerware will produce a repair and delivery quotation for your approval.

NB: Registration should be completed at www.creativehousewares.co.za. Should you experience any technical difficulties you are welcome to contact our customer service line on 086 111 5006 and one of our consultants will gladly assist with the online warranty registration and opt-in email communication. Should you wish to qualify for the additional third year extended warranty, you would need to have registered your warranty within the first 12 months from date of purchase and subscribed to receive brand communication. The extended warranty is conditional upon these requirements. Please note that you are however free to opt out at any stage in accordance with the POPI act, this will however result in you forfeiting this additional extended "communication opt in" warranty from the recorded opt-out date.

ONLINE WARRANTY REGISTRATION

WHY REGISTER YOUR WARRANTY?

Mellerware pride ourselves on bringing premium quality appliances to market, and as a commitment to this level of quality we offer up to a 3 year warranty (1 Year Retail + 1 Year Extended Online warranty registration + 1 Year Extended opt-in communication warranty) on all of our products. To take advantage of the Free Extended Warranty options you will need to register your warranty online within the first year of purchase in order to make a valid claim. Now you can register your product, upload your warranty online and never have to worry about losing your receipt again. Enjoy the benefit of up to 3 year's warranty.

ADDED BENEFITS

- In addition to providing you with an online profile of your registered products we will also provide a host of value added benefits:
- Discount voucher on product warranty registration
- Incentives and Competes for registered users
- New recipes or ideas for your products
- New product developments - be the first to get the latest appliances
- Special offers on promotional items

How to Register your Online Warranty?



- Open your internet browser and visit www.mellerware.co.za
- Click on the "Register" link and create your username and password. Or if you have done this already login with your username and password.
- Click on "Register your Warranty" and follow the easy instructions.
- Scan and upload your receipt.



- Open your internet browser and visit www.creativehousewares.co.za
- Click on the "Register" link and create your username and password. Or if you have done this already login with your username and password.
- Click on "Register your Warranty" and follow the easy instructions.
- Scan and upload your receipt.

Notes:

- The online warranty system is a safe storage facility for your receipt.
- You will be required to register on the Mellerware or Creative Housewares website. You will receive a username and password once registered. This will give you access to your profile.
- From your profile you will be able to load products that you have purchased. In order to successfully register your warranty you will need to scan and upload your receipt to us.
- All instructions on how to load your products are available inside your profile.
- Please note that you must check that your receipt has been uploaded correctly. Creative Housewares cannot be held responsible for faxes or files not received.
- For assistance with registration please email: help@chwsa.co.za

National Service Centre: 086 111 5006
e-mail: help@creativehousewares.co.za
www.creativehousewares.co.za

Durban
243 Percy Osborn Road
Morningside, Durban, 4001, RSA
☎ +27 31 303 3465

Johannesburg
25 & 26 San Croy Office Park
Agora Road, Croynod, 1619, RSA
☎ +27 11 392 5652

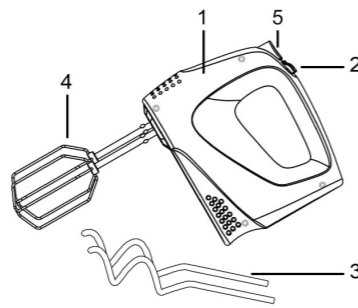
creative housewares
20 Teakleaf Street, Parow, Cape Town, 7493, RSA
PO Box 6156, Parow East, 7501, RSA
☎ +27 21 931 8117 | ☎ +27 63 014 0457
☎ +27 86 111 5006 | www.creativehousewares.co.za



English

Dear Customer

Thank you for choosing to purchase a Mellerware brand product. Thanks to its technology, design and operation and the fact that it exceeds the strictest quality standards, a fully satisfactory use and long product life can be assured.



1. Parts description
1. Hand mixer body
2. Speed control switch
3. Dough hooks
4. Beaters
5. Eject button

2. Safety advice and warnings!

Read these instructions carefully before switching on the appliance and keep them for future reference. Failure to follow and observe these instructions could lead to an accident. Clean all the parts of the product that will be in contact with food, as indicated in the cleaning section, before use.

2.1. Use or working environment.

- 2.1.1. Keep the working area clean and well lit. Cluttered and dark areas invite accidents.
- 2.1.2. Use the appliance in a well ventilated area.
- 2.1.3. Do not place the appliance on hot surfaces, such as cooking plates, gas burners, ovens or similar items.
- 2.1.4. Keep children and bystanders away when using this appliance.
- 2.1.5. Place the appliance on a horizontal, flat, stable surface suitable for withstanding high temperatures and away from other heat sources and contact with water.
- 2.1.6. Keep the appliance away from flammable material such as textiles, curtains, cardboard or paper, etc.

- 2.1.7. Do not place flammable material near the appliance.
 - 2.1.8. Do not use the appliance in association with a programmer, timer or other device that automatically switches it on.
 - 2.1.9. Do not use the appliance if the cable or plug is damaged.
 - 2.1.10. Ensure that the voltage indicated on the rating label matches the mains power supply voltage before plugging in the appliance.
 - 2.2.11. Connect the appliance to the mains power supply with an earth socket withstanding a minimum of 10 amperes.
 - 2.1.12. The appliance's plug must fit into the mains power supply socket properly. Do not alter the plug.
 - 2.1.13. If using a multi-plug check ratings carefully as the current used by several appliances could easily exceed the rating of the multi plug.
 - 2.1.14. If any of the appliance casings breaks, immediately disconnect the appliance from the mains power supply to prevent the possibility of an electric shock.
 - 2.1.15. Do not use the appliance if it has fallen on the floor or if there are visible signs of damage.
 - 2.1.16. Do not force the power cord. Never use the power cord to lift up, carry or unplug the appliance.
 - 2.1.17. Do not wrap the power cord around the appliance.
 - 2.1.18. Do not clip or crease the power cord.
 - 2.1.19. Do not allow the power cord to hang or to come into contact with the hot surfaces of the appliance.
 - 2.1.20. Check the state of the power cord. Damaged or tangled cables increase the risk of electric shock.
 - 2.1.21. The appliance is not suitable for outdoor use.
 - 2.1.22. Power cord should be regularly examined for signs of damage, and if the cord is damaged, the appliance must not be used.
 - 2.1.23. Do not touch the plug with wet hands.
- 2.2. Personal safety:**
- 2.2.1. **CAUTION:** Do not leave the appliance unattended during use as there is a risk of an accident.
 - 2.2.2. Do not touch the heated parts of the appliance, as it may cause serious burns.
 - 2.2.3. This appliance is only for domestic use, not for industrial or professional use. It is not intended to be used by guests in hospitality environments such as bed and breakfast, hotels, motels, and other types of residential environments, even in farm houses, areas of the kitchen staff in shops, offices and other work environments.
 - 2.2.4. This appliance is not intended for use by persons

(including children) with reduced physical, sensory or mental capabilities, or lack of experience and knowledge, unless they have been given supervision or instruction concerning use of the appliance by a person responsible for their safety.

2.2.5. This appliance is not a toy. Children should be supervised to ensure that they do not play with the appliance.

2.3. Use and care:

- 2.3.1. Fully unroll the appliance's power cable before each use.
 - 2.3.2. Do not use the appliance if the parts or accessories are not properly fitted.
 - 2.3.3. Do not use the appliance when empty.
 - 2.3.4. Do not turn the appliance over while it is in use or connected to the mains power supply.
 - 2.3.5. Do not cover the cooking surface or food with aluminium foil and other similar materials.
 - 2.3.6. Unplug the appliance from the mains power supply when not in use and before undertaking any cleaning task.
 - 2.3.7. This appliance should be stored out of reach of children.
 - 2.3.8. Do not store the appliance if it is still hot.
 - 2.3.9. Never leave the appliance unattended when in use and keep out of the reach of children.
 - 2.3.10. If, for some reason, the appliance were to catch fire, disconnect the appliance from the mains power supply and DO NOT USE WATER TO PUT THE FIRE OUT.
- 2.4. Service:**
- 2.4.1. Make sure that the appliance is serviced only by suitably qualified technician, and that only original spare parts or accessories are used to replace existing parts/accessories.
 - 2.4.2. If the power cord is damaged, the manufacturer or its service agent or a similarly qualified person must replace it in order to avoid a hazard.
 - 2.4.3. Any misuse or failure to follow the instructions for use renders the guarantee and the manufacturer's liability null and void.
- 3. Instructions for use:**
- 3.1. **Before use:**
 - 3.1.1. Remove the appliance's protective film (if applicable).
 - 3.1.2. Before using the product for the first time, clean in the manner described in the cleaning section.
 - 3.2. **Use and care:**

- 3.2.1. Push the desired accessory into the hand mixer slots, until it locks into the proper position.
 - 3.2.2. Add the ingredients into your selected bowl and sink the mixer down into the food.
 - 3.2.3. Plug the mixer into the wall socket.
 - 3.2.4. Slide the speed control switch to the desired speed.
 - 3.2.5. When the desired consistency is reached slide the speed control switch to OFF ("0") position. Wait until mixing stops and unplug the mixer.
 - 3.2.6. Remove the chosen accessory by pulling it out from the hand mixer slots.
- NOTE:** Set the speed depending on the type of food. Always start to work at low speed, and then gradually increase it. As the mixture becomes thicker, increase the power by switching to a higher speed.
- 3.3. Once you have finished using the appliance:**
- 3.3.1. Allow appliance to cool down.
 - 3.3.2. Unplug the appliance from the mains power supply.
 - 3.3.3. Clean the appliance as described in the cleaning section.
- 4. How to use the appliance beaters and dough hooks:**
- 4.1. Insert the beaters or dough hooks unit they locked into. The dough hooks with only fit into the biggish socket.
 - 4.2. Plug in the appliance.
 - 4.3. Depending on the quantity to be prepared. Place the ingredients in an appropriate container.
 - 4.4. Push the speed selector to the right in the position "1"- "5".
 - 4.5. When you have finished using it, reset the switch to "0".
 - 4.6. Unplug the appliance.
 - 4.7. Eject the beaters or dough hooks by pressing the eject button.
- 5. Caution:**
- 5.1. After 5 minutes continuous use, allow few minutes rest before.
 - 5.2. Do not operate more than 10 minutes at one time.
- 6. Cleaning:**
- 6.1. Disconnect the appliance from the mains power supply and allow it to cool completely before undertaking any cleaning task.
 - 6.2. Wash the used accessories with warm soapy water and then dry.
 - 6.3. Clean the outer parts of the hand mixer with a damp

cloth with a few drops of washing-up liquid and then dry. **CAUTION!** Do not immerse electrical parts of the appliance in any liquid.

- 6.4. Do not use solvents, or products with an acid or base pH such as bleach, or abrasive products, for cleaning the appliance.
- 6.5. Never submerge the appliance in water or any other liquid or place it under running water.

7. Anomalies and repair:

- 7.1. Take the appliance to an authorised support centre if product is damaged or other problems arise.
- 7.2. If the connection to the mains has been damaged, it must be replaced and you should proceed as you would in the case of damage.

6. Recycling

6.1. These electrical products, cables, batteries, packaging, and the manual, should not be mixed with general household waste. For proper recycling, please take these products to your nearest Creative Housewares office where they will be accepted for recycling free of charge.

6.2. Alternatively, please contact your local authority or household waste disposal service for further details of your nearest designated collection point. Correct product disposal saves resources and prevents negative effects on human health and the environment.



Afrikaans

Geagte Kliënt,
Dankie vir u keuse om 'n Mellerware handelsmerk produk te koop. Danksy die tegnologie, ontwerp en werking en die feit dat dit voldoen aan die strengste gehalte standaarde, is U verseker van 'n volle bevredigende gebruik en lang produklewe.

1. Deel van die toestel

2. Snelheidsreël

3. Deeghakke

4. Mengkop

5. Eject-knop

6.1. Hierdie elektriese produkte, kables, batterye, verpakking, en die handboek, moet nie saam met algemene huishoudelike afval gemeng word nie. Vir behoorlike herwinning, neem hierdie produkte na u naaste kantoor vir Creative Housewares, waar dit gratis aanvaar word vir herwinning.

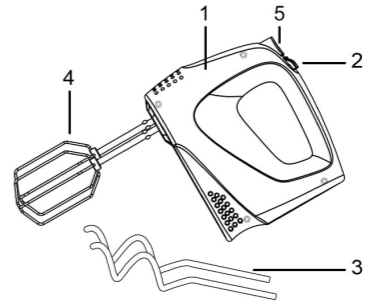
6.2. Alternatiewe, kontak jou plaaslike owerheid of huishoudelike vullisdienste vir nadere besonderhede oor u naaste aangeewese versamelpunt. Korrekte produkverwydering bespaar hulpbronne en voorkom negatiewe gevolge vir menslike gesondheid en die omgewing.

7.2. As die aansluiting op die hoofstroom beskadig is, moet dit vervang word en moet u voortgaan soos u sou in die geval van skade.

8. Herwinning

8.1. Hierdie elektriese produkte, kables, batterye, verpakking en die handleiding moet nie met algemene huishoudelike afval gemeng word nie. Vir behoorlike herwinning, neem hierdie produkte na u naaste kantoor vir Creative Housewares, waar dit gratis aanvaar word vir herwinning.

8.2. Kontak u plaaslike owerheid of huishoudelike vullisdienste vir nadere besonderhede oor u naaste aangeewese versamelpunt. Korrekte produkverwydering bespaar hulpbronne en voorkom negatiewe gevolge vir menslike gesondheid en die omgewing.



mellerware
makes life easier

MIXO
HAND MIXER



100W Model: **26450**

complies with INTERNATIONAL IEC60335 SAFETY SPECIFICATIONS





2. Consejos y advertencias de seguridad!

Lea atentamente estas instrucciones antes de encender el aparato y guárdelas para futuras consultas. El incumplimiento de estas instrucciones podría dar lugar a un accidente. Limpie todas las partes del producto que estarán en contacto con los alimentos, como se indica en la sección de limpieza, antes de usarlas.

2.1. Uso o entorno de trabajo:

2.1.1. Mantenga el área de trabajo limpia y bien iluminada. Las áreas desordenadas y oscuras invitan a los accidentes.

2.1.2. Utilice el aparato en un área bien ventilada.

2.1.3. No coloque el aparato sobre superficies calientes, como placas de cocción, quemadores de gas, hornos o elementos similares.

2.1.4. Mantenga a los niños y transeúntes alejados al usar la superficie de este aparato y lejos de otras fuentes de calor y contacto con el agua.

2.1.5. Coloque el aparato sobre una superficie horizontal, plana y estable, alejado de otras fuentes de calor y del contacto con el agua.

2.1.6. Mantenga el aparato alejado de materiales inflamables como textiles, cortinas, armarios o sofá, etc.

2.1.7. No coloque material inflamable cerca del aparato.

2.1.8. No utilice el aparato junto con un programador, temporizador u otro dispositivo que lo encienda automáticamente.

2.1.9. No utilice el aparato si el cable o el enchufe están dañados.

2.1.10. Asegúrese de que el voltaje indicado en la etiqueta de clasificación coincida con el voltaje de la fuente de alimentación antes de enchufar el aparato.

2.1.11. Conecte el aparato a la red eléctrica con una toma de tierra que resista un mínimo de 10 amperios.

2.1.12. El enchufe del aparato debe encajar correctamente en la toma de corriente. No modifique el enchufe.

2.1.13. Si usa un enchufe múltiple, verifique las calificaciones con cuidado, ya que la corriente utilizada por varios electrodomésticos podría exceder fácilmente la calificación del enchufe múltiple.

2.1.14. Si alguna de las carcargas del aparato se rompe, desconecte inmediatamente el aparato de la red eléctrica para evitar la posibilidad de una descarga eléctrica.

3.1. Avant utilisation:

3.1.1. Retirez le film protecteur de l'appareil (le cas échéant).

3.1.2. Avant d'utiliser le produit pour la première fois, nettoyezle de la manière décrite dans la section nettoyage.

3.2. Utilisation et soin:

3.2.1. Poussez l'accessoire désiré dans les fentes du mélangeur à main, jusqu'à ce qu'il se verrouille dans la bonne position.

3.2.2. Ajoutez les ingrédients dans votre bol sélectionné

et évadez le mélangeur dans les aliments.

3.2.3. Branchez le mélangeur dans la prise murale.

3.2.4. Faites glisser le commutateur de contrôle de vitesse à la vitesse souhaitée.

3.2.5. Lorsque la consistance souhaitée est atteinte, glissez le commutateur de vitesse sur la position OFF ("0"). Attendez que le mélange s'arrête et débranchez le mélangeur.

3.2.6. Retirez l'accessoire choisi en le retirant des fentes du mélangeur à main.

REMARQUE: réglez la vitesse en fonction du type de nourriture. Commencez toujours à travailler à faible vitesse, puis augmentez-le progressivement. Au fur et à mesure que le mélange devient plus épais, augmentez la puissance en passant à une vitesse plus élevée.

3.3. Une fois que vous avez terminé l'utilisation de l'appareil:

3.3.1. Laissez refroidir l'appareil.

3.3.2. Débranchez l'appareil de l'alimentation secteur.

3.3.3. Nettoyez l'appareil comme décrit dans la section de nettoyage.

4. Comment utiliser les batteurs de l'appareil et les crochets de pâte:

4.1. Insérez les batteurs ou les goussets dans lesquels ils ont été verrouillés. Les crochets de pâte ne se fixent que dans la prise biggish.

4.2. Branchez l'appareil.

4.3. Selon la quantité à préparer. Placez les ingrédients dans un récipient approprié.

4.4. Poussez le sélecteur de vitesse vers la droite dans la position "1"–"5".

4.5. Lorsque vous avez terminé l'utilisation, réinitialisez le commutateur sur "0".

2.1.15. No utilice el aparato si se ha caído al suelo o si hay signos visibles de daño.

2.1.16. No fuerce el cable de alimentación. Nunca use el cable de alimentación para levantar, transportar o desenchufar el aparato.

2.1.17. No enrolle el cable de alimentación alrededor del aparato.

2.1.18. No corte ni doble el cable de alimentación.

2.1.19. No permita que el cable de alimentación cuelgue o entre en contacto con las superficies calientes del aparato.

2.1.20. Verifique el estado del cable de alimentación. Los cables dañados o enredados aumentan el riesgo de descarga eléctrica.

2.1.21. El aparato no es apto para uso en exteriores.

2.1.22. El cable de alimentación debe examinarse periódicamente para detectar signos de daños y, si está dañado, no debe utilizarse el aparato.

2.1.23. No toque el enchufe con las manos mojadas.

2.2. Seguridad personal:

2.2.1. **PRECAUCIÓN:** No deje el aparato sin supervisión durante el uso, ya que existe el riesgo de un accidente.

2.2.2. No toque las partes calientes del aparato, ya que puede causar quemaduras graves.

2.2.3. Este aparato es solo para uso doméstico, no para uso industrial o profesional. No está destinado a ser utilizado por huéspedes en entornos de hospitalidad como alojamiento y desayuno, hoteles, moteles y otros tipos de entornos residenciales, incluso en casas de campo, áreas de personal de cocina en tiendas, oficinas y otros entornos de trabajo.

2.2.4. Este electrodoméstico no debe ser utilizado por personas (incluidos niños) con capacidades físicas, sensoriales o mentales reducidas, o por falta de experiencia y conocimiento, a menos que una persona responsable de su seguridad les haya dado supervisión o instrucciones sobre el uso del electrodoméstico.

2.2.5. Este electrodoméstico no es un juguete. Los niños deben ser supervisados para asegurarse de que no jueguen con el aparato.

2.3. Uso y cuidado:

2.3.1. Desenrolle completamente el cable de alimentación del dispositivo antes cada uso.

2.3.2. No use el aparato si las piezas o los accesorios no están colocados correctamente.

4.6. Débranchez l'appareil.

4.7. Ejectez les batteurs ou les crochets de la pâte en appuyant sur la poignée d'éjection.

5. Attention

5.1. Après 5 minutes d'utilisation continue, laissez quelques minutes de repos avant.

5.2. Ne pas presser plus de 10 minutes en même temps.

6. Nettoyage

6.1. Débranchez l'appareil de l'alimentation secteur et laissez-le refroidir complètement avant d'entreprendre une tâche de nettoyage.

6.2. Lavez les accessoires usés avec de l'eau chaude savonneuse puis séchez.

6.3. Nettoyez les parties extérieures du mélangeur à main avec un chiffon humide avec quelques gouttes de liquide vaisselle puis séchez. MISE EN GARDE! Ne pas immerger les pièces électriques de l'appareil dans une liquide quelconque.

6.4. N'utilisez pas de solvants ou de produits avec ou à base d'un acide pH tel que l'eau de javel ou des produits abrasifs pour nettoyer l'appareil.

6.5. Ne jamais immerger l'appareil dans de l'eau ou tout autre liquide ou le placer sous l'eau courante.

7. Anomalies et réparation:

7.1. Apportez l'appareil à un centre d'assistance agréé si le produit est endommagé ou si d'autres problèmes surviennent.

7.2. Si la connexion au secteur a été endommagée, elle doit être remplacée et vous devez procéder comme vous le feriez en cas de dommages.

8. Recyclage

8.1. Ces produits électriques, câbles, batteries, emballages et le manuel ne doivent pas être mélangés avec les déchets ménagers généraux. Pour un recyclage correct, veuillez apporter ces produits au bureau Creative Housewares le plus proche où ils seront acceptés pour recyclage gratuitement.

8.2. Sinon, veuillez contacter votre autorité locale ou le service d'élimination des déchets ménagers pour plus de détails sur le point de collecte désigné le plus proche. Une élimination correcte des produits permet d'économiser des ressources et de prévenir les effets négatifs sur la santé humaine et l'environnement.

2.3.3. No use el aparato cuando esté vacío.

2.3.4. No encienda el aparato mientras está en uso o conectado a la fuente de alimentación principal.

2.3.5. No cubra la superficie de cocción o la comida con papel de aluminio y otros materiales similares.

2.3.6. Desenchufe el aparato de la fuente de alimentación cuando no esté en uso y antes de emprender cualquier tarea de limpieza.

2.3.7. Este electrodoméstico debe almacenarse fuera del alcance de niños.

2.3.8. No guarde el aparato si aún está caliente.

2.3.9. Nunca deje el aparato desatendido cuando esté dentro use y manténgalo fuera del alcance de los niños.

2.3.10. Si, por alguna razón, el aparato se incendiara, desconecte el aparato de la fuente de alimentación y NO USE AGUA PARA PONER EL FUEGO FUERA.

2.4. Servicio:

2.4.1. Asegúrese de que el aparato sea reparado únicamente por un técnico debidamente calificado, y que solo se utilicen repuestos o accesorios originales para reemplazar las piezas/accesorios existentes.

2.4.2. Si el cable de alimentación está dañado, el fabricante o su agente de servicio, o una persona igualmente calificada, debe reemplazarlo para evitar un peligro.

2.4.3. Cualquier mal uso o incumplimiento de las instrucciones de uso anula la garantía y la responsabilidad del fabricante.

3. Instruções de uso:

3.1. Antes de usar:

3.1.1. Retire la película protectora del artefacto (si corresponde).

3.1.2. Antes de usar el producto por primera vez, limpie las partes que entrarán en contacto con los alimentos de la manera descrita en la sección de limpieza.

3.2. Uso y cuidado:

3.2.1. Presione el accesorio deseado en las ranuras del mezclador manual hasta que encaje en la posición correcta.

3.2.2. Agregue los ingredientes en su tazón de fuente seleccionado y hundir el mezclador abajo en el alimento.

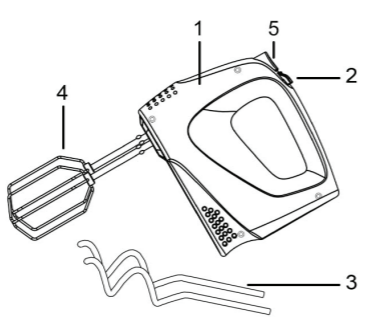
3.2.3. Enchufe el mezclador en la toma de corriente.

3.2.4. Deslice el interruptor de control de velocidad a la velocidad deseada.

3.2.5. Cuando se alcance la consistencia deseada, deslice el interruptor de control de velocidad a la

Portuguese

Estimado cliente, Obrigado por escolher comprar um produto da marca Mellerware. Graças à sua tecnologia, design e operação e ao facto de exceder os padrões de qualidade mais rigorosos, pode ser assegurado um uso totalmente satisfatório e uma longa vida útil do produto.



1. Descrição das peças

- Misturador manual
- Interruptor de controle de velocidade
- Ganchos de massa
- Ganchos de batedor
- Botão de ejeção

2. Conselhos e avisos de segurança!

Leia atentamente estas instruções antes de ligar o aparelho e guardeas para consultas futuras. O não cumprimento e não cumprimento destas instruções pode causar um acidente. Limpe todas as partes do produto que entrarão em contato com os alimentos, conforme indicado na seção de limpeza, antes do uso.

2.1. Uso ou ambiente de trabalho:

2.1.1. Mantenha a área de trabalho limpa e bem iluminada. Áreas desordenadas e escuras são um convite a acidentes.

2.1.2. Use o aparelho em uma área bem ventilada.

2.1.3. Não coloque o aparelho sobre superfícies quentes, como placas de cozinha, queimadores a gás, fornos ou itens semelhantes.

2.1.4. Mantenha crianças e espectadores afastados quando usar a superfície deste aparelho e longe de outras fontes de calor e do contato com a água.

posição OFF ("0"). Espere hasta que se detenga la mezcla y desenchufe el mezclador.

3.2.6. Retire el accesorio elegido tirándolo de las ranuras del mezclador manual.

NOTA: Ajuste la velocidad dependiendo del tipo de alimento. Siempre comience a trabajar a baja velocidad, y luego aumente gradualmente. A medida que la mezcla se vuelve más gruesa, aumente la potencia cambiando a una velocidad mayor.

3.3. Una vez que haya terminado de utilizar el aparato:

3.3.1. Permita que el aparato se enfríe.

3.3.2. Desconecte el aparato de la red eléctrica.

3.3.3. Limpie el aparato como se describe en la sección de limpieza.

4. Cómo utilizar los batidores y ganchos de masa:

4.1. Inserte los batidores o la unidad de ganchos de masa con sólo caben en el socket biggish.

4.2. Enchufe el aparato.

4.3. Dependiendo de la cantidad a preparar. Coloque los ingredientes en un recipiente apropiado.

4.4. Empuje el selector de velocidad hacia la derecha en la posición "1"–"5".

4.5. Cuando haya terminado de usarlo, restablezca el interruptor a "0".

4.6. Desenchufe el aparato.

4.7. Expulse los batidores o ganchos de masa presionando el mango de expulsión.

5. Precaución

5.1. Después de 5 minutos de uso continuo, deje descansar unos minutos antes.

5.2. No abra más de 10 minutos a la vez.

6. Limpieza

6.1. Desconecte el aparato de la red eléctrica y deje que se enfríe completamente antes de realizar cualquier tarea de limpieza.

6.2. Lave los accesorios usados con agua tibia y jabón y luego seque.

6.3. Limpie las partes exteriores del mezclador manual con un paño húmedo con unas gotas de detergente y luego seque. **¡PRECAUCIÓN!** No sumerja las partes eléctricas del aparato en ningún líquido.

6.4. No utilice disolventes, ni productos con un pH ácido o base, tales como lejía, o productos abrasivos,

2.1.5. Coloque o aparelho sobre uma superfície horizontal, plana e estável, longe de outras fontes de calor do contato com água.

2.1.6. Mantenha o aparelho longe de materiais inflamáveis, como tecidos, cortinas, armários ou papel, etc.

2.1.7. Não coloque o material inflamável perto do aparelho.

2.1.8. Não use o aparelho em associação com um programador, cronômetro ou outro dispositivo que o liga automaticamente.

2.1.9. Não utilize o aparelho se o cabo ou a ficha estiverem danificados.

2.1.10. Certifique-se de que a voltagem indicada na etiqueta de classificação corresponda à voltagem da fonte de alimentação antes de conectar o aparelho.

2.1.11. Ligue o aparelho à rede de alimentação com uma tomada de terra que suporte um mínimo de 10 amperes.

2.1.12. O plugue do aparelho deve se encaixar corretamente na tomada da rede elétrica. Não altere o plugue.

2.1.13. Se estiver usando um plugue múltiplo, verifique as classificações com cuidado, pois a corrente usada por vários aparelhos pode facilmente exceder a classificação do plugue múltiplo.

2.1.14. Se alguma das carcaças do aparelho quebrar, desconecte imediatamente o aparelho da fonte de alimentação para evitar a possibilidade de um choque elétrico.

2.1.15. Não use o aparelho se ele tiver caído no chão ou se houver sinais visíveis de danos.

2.1.16. Não force o cabo de alimentação. Nunca use o cabo de alimentação para levantar, carregar ou desconectar o aparelho.

2.1.17. Não enrolle o cabo de alimentação em volta do aparelho.

2.1.18. Não prenda ou amasse o cabo de alimentação.

2.1.19. Não permita que o cabo de alimentação pendure ou entre em contato com as superfícies quentes do aparelho.

2.1.20. Verifique o estado do cabo de alimentação. Cabos danificados ou emaranhados aumentam o risco de choque elétrico.

2.1.21. O aparelho não é adequado para uso ao ar livre.

2.1.22. O cabo de alimentação deve ser examinado

para limpiar el aparato.

6.5. Nunca sumerja el aparato en agua o cualquier otro líquido o colóquelo bajo agua corriente.

7. Anomalias y reparación:

7.1. Lleve el aparato a un centro de soporte autorizado si el producto está dañado o si surgen otros problemas.

7.2. Si la conexión a la red se ha dañado, debe ser reemplazada y debe proceder como lo haría en caso de daño.

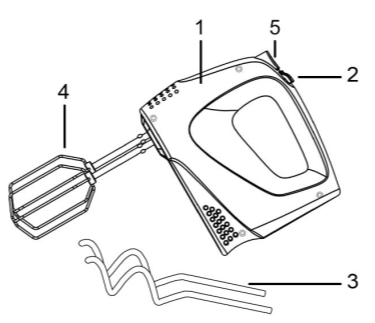
6. Reciclaje

6.1. Estos productos eléctricos, cables, baterías, embalajes y el manual no deben mezclarse con la basura doméstica general. Para un reciclaje adecuado, lleve estos productos a la oficina de Creative Housewares más cercana, donde serán aceptados para reciclaje sin cargo.

6.2. Alternativamente, comuníquese con su autoridad local o con el servicio de eliminación de residuos domésticos para obtener más detalles sobre el punto de recolección designado más cercano. La eliminación correcta del producto ahorra recursos y evita efectos negativos en la salud humana y el medio ambiente.

	French
	Cher client,

Merci d'avoir choisi d'acheter un produit de marque Mellerware. Grâce à sa technologie, sa conception et son fonctionnement et le fait qu'elle dépasse les normes de qualité les plus strictes, une utilisation parfaitement satisfaisante et une longue durée de vie du produit peuvent être assurées.



regularmente quanto a sinais de danos e, se o cabo estiver danificado, o aparelho não deve ser usado.

2.1.23. Não toque no plugue com as mãos molhadas.

2.2. Segurança pessoal:

2.2.1. **CUIDADO:** Não deixe o aparelho sem vigilância durante o uso, pois há risco de acidente.

2.2.2. Não toque nas peças de aquecimento do aparelho, pois pode causar ferimentos graves.

2.2.3. Este aparelho destina-se apenas a uso doméstico, não a uso industrial ou profissional. Não se destina a ser utilizado por hóspedes em ambientes de hospitalidade como bed and breakfast, hotéis, moteis e outros tipos de ambientes residenciais, mesmo em quintas, áreas de pessoal de cozinha em lojas, escritórios e outros ambientes de trabalho.

2.2.4. Este aparelho não se destina a ser utilizado por pessoas

(incluindo crianças) com capacidades físicas, sensoriais ou mentais reduzidas ou com falta de experiência e conhecimento, a menos que tenham recebido supervisão ou instruções sobre a utilização do aparelho por uma pessoa responsável pela sua segurança.

2.2.5. Este aparelho não é um brinquedo. As crianças devem ser supervisionadas para garantir que não brinquem com o aparelho.

2.3. Uso e cuidado:

2.3.1. Desligue completamente o cabo de alimentação do aparelho antes cada uso.

2.3.2. Não use o aparelho se as peças ou acessórios não estiverem adequadamente instalados.

2.3.3. Não use o aparelho quando estiver vazio.

2.3.4. Não ligue o aparelho enquanto estiver em uso o conectado à rede elétrica.

2.3.5. Não cubra a superfície de cozimento ou comida com papel alumínio e outros materiais similares.

2.3.6. Desconecte o aparelho da fonte de alimentação quando não em uso e antes de realizar qualquer tarefa de limpeza.

2.3.7. Este aparelho deve ser armazenado fora do alcance de crianças.

2.3.8. Não guarde o aparelho se ainda estiver quente.

2.3.9. Nunca deixe o aparelho sem vigilância quando use e mantenha-se fora do alcance das crianças.

2.3.10. Se, por algum motivo, o aparelho incendiar, desconecte o aparelho da fonte de alimentação e NÃO USE ÁGUA PARA PONER O INCÊNDIO.

1. Description des pièces

- Mélangeur
- Commutateur de vitesse
- Crochets de pâte
- Crochets de battage
- Bouton d'éjection

2. Conseils de sécurité et avertissements!

Lisez attentivement ces instructions avant d'allumer l'appareil et conservezles pour référence future. Le non-respect et l'observation de ces instructions peuvent entraîner un accident. Nettoyez toutes les parties du produit qui seront en contact avec les aliments, comme indiqué dans la section nettoyage, avant utilisation.

2.1. Utilisation ou environnement de travail:

2.1.1. Gardez la zone de travail propre et bien éclairée. Les zones encombrées et sombres invitent aux accidents.

2.1.2. Utilisez l'appareil dans un endroit bien aéré.

2.1.3. Ne placez pas l'appareil sur des surfaces chaudes, telles que des plaques de cuisson, des brûleurs à gaz, des fours ou des articles similaires.

2.1.4. Tenez les enfants et les spectateurs éloignés lors de l'utilisation de cette surface de l'appareil et à l'écart des autres sources de chaleur et du contact avec l'eau.

2.1.5. Placez l'appareil sur une surface horizontale, plane et stable, à l'écart des autres sources de chaleur et du contact avec l'eau.

2.1.6. Tenez l'appareil à l'écart des matériaux inflammables tels que textiles, rideaux, armoires ou papier, etc.

2.1.7. Ne placez pas de matériau inflammable à proximité de l'appareil.

2.1.8. N'utilisez pas l'appareil en association avec un programmeur, une minuterie ou tout autre appareil qui l'allume automatiquement.

2.1.9. N'utilisez pas l'appareil si le câble ou la fiche est endommagé.

2.1.10. Assurez-vous que la tension indiquée sur la plaque signalétique correspond à la tension d'alimentation secteur avant de brancher l'appareil.

2.1.11. Branchez l'appareil au secteur avec une prise de terre résistant à un minimum de 10 ampères.