

# mellerware®

makes life easier

## SEATTLE digital coffee maker



24 Hour smart  
digital timer

Digital control  
panel with LCD

2 Hour keep  
warm function



complies with  
INTERNATIONAL  
IEC60335  
SAFETY SPECIFICATIONS

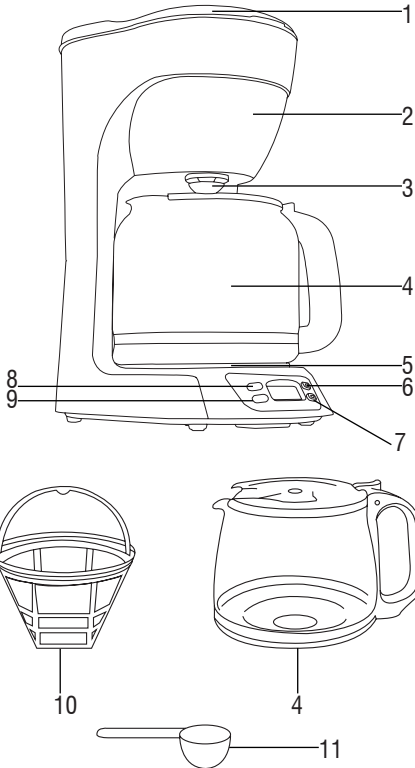
**m**  
1000W

**2 YEAR**  
WARRANTY

Model:  
29801

## Dear customer,

Thank you for choosing to purchase a Mellerware brand product. Thanks to its technology, design and operation and the fact that it exceeds the strictest quality standards, a fully satisfactory use and long product life can be assured.



## 1. Parts description

1. Lid
2. Filter holder
3. Anti-drip valve
4. Jug
5. Keep warm plate
6. On/Off button
7. Programming button
8. Hour button
9. Minute button
10. Filter
11. Measuring spoon

## 2. Safety advice and warnings!

Read these instructions carefully before switching on the appliance and keep them for future reference. Failure to follow and observe these instructions could lead to an accident. Clean all the parts of the product that will be in contact with food, as indicated in the cleaning section, before use.

### 2.1. Use or working environment:

- 2.1.1. Keep the working area clean and well lit. Cluttered and dark areas invite accidents.
- 2.1.2. Use the appliance in a well ventilated area.
- 2.1.3. Do not place the appliance on hot surfaces, such as cooking plates, gas burners, ovens or similar items.
- 2.1.4. Keep children and bystanders away when using this appliance.
- 2.1.5. Place the appliance on a horizontal, flat, stable surface suitable for withstanding high temperatures and away from other heat sources and contact with water.
- 2.1.6. Keep the appliance away from flammable material such as textiles, curtains, cardboard or paper, etc.
- 2.1.7. Do not place flammable material near the appliance.
- 2.1.8. Do not use the appliance in association with a programmer, timer or other device that automatically switches it on.
- 2.1.9. Do not use the appliance if the cable or plug is damaged.
- 2.1.10. Ensure that the voltage indicated on the rating label matches the mains power supply voltage before plugging in the appliance.
- 2.1.11. Connect the appliance to the mains power supply with an earth socket withstanding a minimum of 10 amperes.
- 2.1.12. The appliance's plug must fit into the mains power supply socket properly. Do not alter the plug.
- 2.1.13. If using a multi plug check ratings carefully as the current used by several appliances could easily exceed the rating of the multi plug.
- 2.1.14. If any of the appliance casings breaks, immediately disconnect the appliance from the mains power supply to prevent the possibility of an electric shock.
- 2.1.15. Do not use the appliance if it has fallen on the floor or if there are visible signs of damage.
- 2.1.16. Do not force the power cord. Never use the power cord to lift up, carry or unplug the appliance.

- 2.1.17. Do not wrap the power cord around the appliance.
- 2.1.18. Do not clip or crease the power cord.
- 2.1.19. Do not allow the power cord to hang or to come into contact with the hot surfaces of the appliance.
- 2.1.20. Check the state of the power cord. Damaged or tangled cables increase the risk of electric shock.
- 2.1.21. The appliance is not suitable for outdoor use.
- 2.1.22. Power cord should be regularly examined for signs of damage, and if the cord is damaged, the appliance must not be used.
- 2.1.23. Do not touch the plug with wet hands.

## **2.2. Personal safety:**

- 2.2.1. CAUTION: Do not leave the appliance unattended during use as there is a risk of an accident.
- 2.2.2. Do not touch the heated parts of the appliance, as it may cause serious burns.
- 2.2.3. This appliance is only for domestic use, not for industrial or professional use. It is not intended to be used by guests in hospitality environments such as bed and breakfast, hotels, motels, and other types of residential environments, even in farm houses, areas of the kitchen staff in shops, offices and other work environments.
- 2.2.4. This appliance is not intended for use by persons (including children) with reduced physical, sensory or mental capabilities, or lack of experience and knowledge, unless they have been given supervision or instruction concerning use of the appliance by a person responsible for their safety.
- 2.2.5. This appliance is not a toy. Children should be supervised to ensure that they do not play with the appliance.

## **2.3. Use and care:**

- 2.3.1. Fully unroll the appliance's power cable before each use.
- 2.3.2. Do not use the appliance if the parts or accessories are not properly fitted.
- 2.3.3. Do not use the appliance when empty.
- 2.3.4. Do not turn the appliance over while it is in use or connected to the mains power supply.
- 2.3.5. Do not cover the cooking surface or food with aluminium foil and other similar materials.
- 2.3.6. Unplug the appliance from the mains power supply when not in use and before undertaking any cleaning task.

- 2.3.7. This appliance should be stored out of reach of children.
- 2.3.8. Do not store the appliance if it is still hot.
- 2.3.9. Never leave the appliance unattended when in use and keep out of the reach of children.
- 2.3.10. If, for some reason, the appliance were to catch fire, disconnect the appliance from the mains power supply and DO NOT USE WATER TO PUT THE FIRE OUT.
- 2.3.11. Use only cold water to fill the water tank!
- 2.3.12. Ensure the glass jug is placed properly in its position when brewing coffee.
- 2.3.13. Between the brewing processes switch off the appliance and let it cool down for about 5 minutes. Then refill with cold water.
- 2.3.14. The control lamp going out indicates when the machine is off.

## **2.4. Service:**

- 2.4.1. Make sure that the appliance is serviced only by suitably qualified technician, and that only original spare parts or accessories are used to replace existing parts/accessories.
- 2.4.2. If the power cord is damaged, the manufacturer or its service agent or a similarly qualified person must replace it in order to avoid a hazard.
- 2.4.3. Any misuse or failure to follow the instructions for use renders the guarantee and the manufacturer's liability null and void.

## **3. Instructions for use**

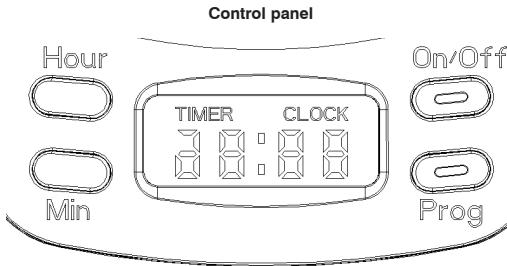
### **3.1. Before use:**

- 3.1.1. Remove the appliance's protective film (if applicable).
- 3.1.2. Before using the product for the first time, clean the parts that will come into contact with food in the manner described in the cleaning section.
- 3.1.3. Before making coffee you should use the coffee maker once with water only (without coffee or filter paper).
- 3.1.4. Insert the plug into the wall socket.
- 3.1.5. Fill the jug with cold water, open up the lid, and pour the water from the jug into the water tank, then close lid to its original position.
- 3.1.6. Place glass jug in its original position.
- 3.1.7. Note that the lid should be fitted securely.
- 3.1.8. Start the brewing process by pressing the "on/

off” button

### 3.2 Use and care:

#### Program instructions



#### Setting the clock:

- Setting the time is not compulsory for using the appliance.
- When plugging in the appliance, the LCD display indicates “12:00”.
- Press the “prog” key once. The LCD display will show a flashing “clock” in the top right corner. Now you can set the current time.
- Press the “Hour” key to set the hour.
- Press the “Min” key to set the minutes.
- After setting the time, press the “prog” key again. The “clock” will stop flashing

#### To make coffee:

- Open the lid of the coffee maker and fill with as much water as cups of coffee you require.
- Ensure that the water level does not exceed the MAX mark inside the water tank..
- The water level display on the glass jug indicates the number of cups.
- Place the filter into the filter holder. Put ground coffee into the filter according to your taste.
- Close the coffee maker lid.
- Ensure that the carafe is securely placed in its original position.
- Plug in the coffee maker. The red indicator light will come on.
- After the brewing process the coffee maker has a 2 hour keep warm function, after which the appliance will switch off automatically.
- If the glass jar is empty or the keep warm function is not required, turn the appliance off by pressing the “on/off” button again.

#### Auto-Brew:

- When plugging in the appliance, the LCD display indicates “12:00”.
- Press the “prog” key once. The LCD display will show “clock” flashing in the top right corner.
- Press the “prog” key once more, The LCD display will show “timer” flashing in the top left corner.
- Press the “Hour” key to set the hour.
- Press the “Min” key to set minutes.
- After setting the time, press the “prog” key within 8 seconds to validate the time setting. The green indicator light will be on until it has reached the programmed brew time. Once the programmed brew time is reached the green light will go out and the red light will come on.

### 4. Cleaning and Maintenance

#### 4.1.1. DESCALING

To ensure a long lifespan of the coffee maker, you will need to de-scale it from time to time. Frequency will depend on how hard the water is in your area, and how often you use the coffee maker. If you use your coffee maker once or twice a day, the following guidelines for de-scaling should be used:

- Soft water, every 6 months.
- Medium water, every 2-3 months.
- Hard water, every 6-8 weeks.

If the time it takes to brew a cup of coffee is suddenly increased, it is recommended that the coffee maker be de-scaled. The harder the water is in your area, the more often the coffee maker needs to be de-scaled. The hardness of the water can be advised at your local waterworks.

### 5. Anomalies and repair

- 5.1. Take the appliance to an authorised support centre if product is damaged or other problems arise.
- 5.2. If the connection to the mains has been damaged, it must be replaced and you should proceed as you would in the case of damage.

## Troubleshooting

If you have a problem, you may find the solution in the table below. In case these solutions cannot solve your problem yet, please contact with the nearest authorized service agent for examination, repair or adjustment.

Problem	Solution
	Make sure the voltage indicated on the appliance corresponds to the local mains voltage. Make sure the appliance has been plugged in & switched on.
Water leaks out of the appliance.	Check if the water tank is filled beyond the MAX level.
The appliance produces a lot of noise and steam during brewing.	Make sure the water tank is not filled with hot water. The appliance needs to be descaled (see heading 'Descaling').
Coffee grounds enter into the jug.	Check if the filter holder has overflowed because there is too much ground coffee in the filter, or the jug has not been placed correctly under the filter holder, or you removed the jug after 30 seconds during brewing. Check if the filter is torn or you use the wrong size of paper filter.
Brewing coffee takes longer than usual.	The appliance needs to be descaled (see heading 'Descaling').
The coffee maker switches off before the water tank is empty.	The appliance needs to be descaled (see heading 'Descaling').
The coffee is not strong enough.	Check if used ground coffee is not enough. It should be one heaped measuring spoon of ground coffee for each cup. Check if you use ground coffee with mild flavour.
The coffee is too strong.	Check if used too much ground coffee. It should be one heaped measuring spoon of ground coffee for each cup. Check if you have used ground coffee with strong flavour.
The coffee does not taste good.	Check if you leave the glass jug with coffee on the warm plate too long, especially if it only contains a small amount of coffee.
The coffee is not hot enough.	Check if the brewed coffee is too little. The coffee will warm longer if you brew more. Make sure you place the glass jug properly on the warm plate.
The jug is difficult to place in the appliance or remove from the appliance.	Make sure the lid of the jug & filter basket are in right position. Tilt the jug in an angle to place or remove it. Be careful not to spill the hot coffee for avoiding scald.
There is less coffee in the jug than expected.	Check if you have placed the jug properly on the warm plate, in a manner that prevents the coffee from flowing out of the coffee filter. The appliance needs to be descaled (see heading 'Descaling')



Thank you for purchasing a Mellerware product. Mellerware guarantees that your product has been thoroughly inspected and tested before being dispatched and is free from mechanical and electrical defects and complies with the applicable safety standards. With every Mellerware product purchased you get a 2 year warranty as detailed in the terms and conditions below.

## First Year – 1 Year Retail Warranty:

Should defects due to faulty parts or workmanship develop, under normal use, within 12 months from the original purchase date, please return the product to the store from where it was purchased for repair free of charge. However, for the customer's convenience we will replace products where the purchase price is equal to or less than R750 incl. VAT

## Second Year – 1 Year Extended Warranty

Mellerware takes pride in their product quality and therefore offer an extended 12 month warranty over and above the 1 Year Retail Warranty. Should defects due to faulty material or workmanship develop, under normal domestic use, after the 12 month period and within 24 months from the original date of purchase, please return the product postage pre-paid to Mellerware for repair. Mellerware will repair the product free of charge and return it to you directly. Mellerware will replace a product with a similar product in the same or better condition, if the repair cannot be conducted for whatever reason.

NB: The 1 Year Extended Warranty is only valid for customers who have registered their warranty online at [www.mellerware.co.za](http://www.mellerware.co.za) within the first year after making their purchase. See overleaf for details and instructions.

## Before returning your product, check the following:

- Your household mains supply socket is in good condition, working and switched on.
- The mains supply circuit is not overloaded (White trip switch on your DB board is off).
- You have read the trouble shooting guide in your Instructions for Use.
- All accessories and parts are present.

## The following conditions apply:

1. Please ensure you retain your receipt as this must be presented when making a claim under the terms of the guarantee. It is impossible to determine the guarantee period without proof of purchase, so please keep this in a safe place. (NB. Your guarantee can be scanned onto the Mellerware web site for safe storage – see reverse side for details.)
2. If a refund or exchange is required the product must be complete with all accessories, parts and packaging. Missing parts will render the guarantee void.
3. Upon receipt of your appliance, check it for any transport damage to ensure it is safe for use. Return it to the store as soon as possible for exchange if damaged. The guarantee is void if products are damaged after use, so please do not use the damaged product.

4. Your product is designed for normal domestic household use. Failure to read and comply with the instructions for use, cleaning and maintenance will render your guarantee void, so please read these instructions carefully to ensure your safety, and to get the most effective use from the product. (e.g. not removing lime scale; water deposits; insect infestation, and/or burnt products)
5. Any abuse, negligent, improper or accidental use or care will render the guarantee void and Creative Housewares (Pty) Ltd will not be liable for any loss or damage.
6. Any attempted repair, or replacement of unauthorised parts will render the guarantee void, so please contact an authorised service centre or service agent for any service or repair requirements.
7. NB: The guarantee on replaced products will be from the original date of purchase and not from when the date replacement was made.
8. All repairs carry a 3 month guarantee even if this falls outside of the 2 year guarantee period.
9. Mellerware will attempt to conduct repairs within reasonable time in line with industry standards but cannot be held responsible or liable for any circumstances not under our control.
10. Terms and Conditions are subject to change without prior notice.

## Repairs Out of the Warranty Period

If service or repair becomes necessary outside the warranty period, this service is still available however all transport/postage, spares and labour costs will be for the customers' account. All chargeable repairs will require the customers' written acceptance of the quote. Once the go-ahead has been received Mellerware will undertake to conduct the repair within a reasonable time and maintain the condition of the product as received. All repairs are guaranteed for 3 months from the date of the repair.

For any service, enquiries and complaints please contact our Customer Care on 086 111 5006 or e-mail [help@creativehousewares.co.za](mailto:help@creativehousewares.co.za) from 08h00 to 15h00 Monday to Friday excluding public holidays. Please also note that the company is normally closed for 2 weeks around Christmas and New Year.

Please send all products for repair postage pre-paid to one of the service centres listed on the back of this page.

# ONLINE WARRANTY REGISTRATION

## Why register your warranty?

We at Mellerware pride ourselves on bringing premium quality appliances to market, and as a commitment to this level of quality we offer a 2 year warranty (1 Year Retail + 1 Year Extended) on all of our products. We often hear that our customers lose their receipts and can therefore no longer claim if they have a problem. To take advantage of the 1 Year Extended Warranty you will need to register your warranty online within the first year of purchase in order to make a valid claim. Now you can register your product, upload your warranty online, never have to worry about losing your receipt again and enjoy the benefit of your 2 year warranty.

## Added Benefits

In addition to providing you with an online profile of your registered products we will also provide a host of value added benefits:

- Incentives and Competitions for registered users
- New recipes or ideas for your products
- New product developments – be the first to get the latest appliances
- Special offers on promotional items

## How to Register your Online Warranty?

### STEP1 Create your user profile:

If you haven't done so already, simply visit [www.mellerware.co.za](http://www.mellerware.co.za), click on the "Product Registration" link and follow the easy instructions. You will receive a user-name and password once registered. This will give you access to your user profile.



### STEP2 Pick a registration method:



#### DESKTOP/ LAPTOP

- Open your internet browser and visit [www.mellerware.co.za](http://www.mellerware.co.za)
- Click on the "Registration" link and login using your user name and password.
- Click on "Register your products and upload receipts" and follow the easy instructions.
- Scan and upload your receipt



#### SMART PHONE/ TABLET

- Scan the QR code above or visit [www.mellerware.co.za](http://www.mellerware.co.za)
- Click on the "Registration" link and login using your user name and password.
- Click on "Register your products and upload receipts" and follow the easy instructions.
- Scan or take a photo and upload your receipt.



#### FAX

- Fax the following to 021 931 4058
- First Name and Surname
- Contact telephone and fax number.
- Product Model number and Type.
- Traceability Code (found on a label on the product)
- A clear and legible copy of your receipt.

## Notes:

1. The online warranty system is a safe storage facility for your receipt.
2. You will be required to register on the Mellerware website. You will receive a username and password once registered. This will give you access to your profile.
3. From your profile you will be able to load products that you have purchased. In order to successfully register your warranty you will need to either scan and upload, or fax through your receipt to us.
4. All instructions on how to load your products are available

inside your profile.

5. Please note that you must check that your receipt has been uploaded correctly. Creative Housewares cannot be held responsible for faxes or files not received.
6. For assistance with registration please email: [marketing@creativehousewares.co.za](mailto:marketing@creativehousewares.co.za).

**NB:** Your 1 year extended warranty is only valid if your product is registered online within the first year after purchasing your Mellerware product. Failure to register your product on-line within the first year will render the extended warranty as void.

creative housewares

National Service Centre: 086 111 5006

e-mail: [help@creativehousewares.co.za](mailto:help@creativehousewares.co.za)

[www.creativehousewares.co.za](http://www.creativehousewares.co.za)

#### Cape Town

20 Tekstiel Street, Parow, Cape Town, 7493,  
South Africa • P.O. Box 6156 Parow East, 7501,  
South Africa Tel: +27 21 931 8117  
Fax: +27 21 931 4058

#### Durban

35 Adrain Road, Windermerre,  
Durban, South Africa, 4001  
Tel: +27 31 303 3465  
Fax: +27 31 303 8259

#### Johannesburg

Unit 25 & 26 San Croy Office Park  
Die Agora Road, Croydon, 1619  
Tel: +27 11 392 5652  
Fax: +27 11 392 1694

Durban  
35 Adrain Road, Windermere,  
Durban, South Africa, 4001  
Tell: +27 31 303 3465  
Fax: +27 31 303 8259

## creative housewares

 20 Tekstiel Street, Parow, Cape Town, 7493, South Africa  
 P.O. Box 6156 Parow East, 7501, South Africa  
 +27 21 931 8117       +27 21 931 4058  
Service Centre Helpline: 086 111 5006  
 [www.creativehousewares.co.za](http://www.creativehousewares.co.za)

Johannesburg  
Unit 25 & 26 San Croy Office Park  
Die Agora Road, Croydon, 1619  
Tell: +27 11 392 5652  
Fax: +27 11 392 1694

