

taurus



ENGLISH / AFRIKAANS

HIBRIDO

complies with
INTERNATIONAL
IEC60335
SAFETY SPECIFICATIONS

t
1200W
1.5-4.2KW

2 YEAR
WARRANTY

Model:
947183

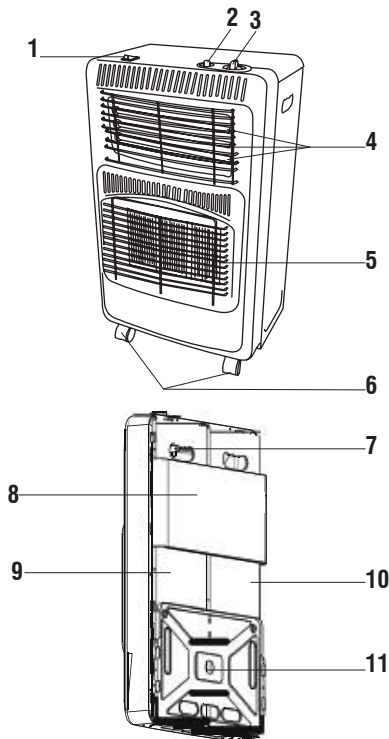
PLEASE READ ALL INSTRUCTIONS BEFORE USE

ENGLISH MANUAL

Dear customer,

Thank you for choosing to purchase a Taurus brand product. Thanks to its technology, design and operation and the fact that it exceeds the strictest quality standards, a fully satisfactory use and long product life can be assured.

1. Parts description



1. Quartz tubes ON/OFF switch
2. Igniter button
3. Gas regulator control
4. Quartz tubes
5. Ceramic heating panels
6. Castor wheels
7. Gas valve
8. Top panel
9. Right panel
10. left panel
11. Bottom panel

2. Safety advice and warnings!

Read these instructions carefully before switching on the appliance and keep them for future reference. Failure to follow and observe these instructions could lead to an accident. Clean all the parts of the product as indicated in the cleaning section, before use.

2.1. Use or working environment:

- 2.1.1. This appliance is designed solely for domestic use and for the designated purpose.
- 2.1.2. Do not use the appliance outdoors (unless it has been specifically designed for outdoor use)
- 2.1.3. Use the appliance in a well ventilated area.
- 2.1.4. Do not subject the appliance to heat, direct sunshine or very high moisture (e.g. Rain)
- 2.1.5. Never immerse the appliance in liquids and be aware of sharp edges that may damage it.
- 2.1.6. Never use the appliance with wet or damp hands. Unplug it immediately if it becomes wet or damp when it is running.
- 2.1.7. Keep children and bystanders away when using this appliance.
- 2.1.8. Do not place flammable material near the appliance.
- 2.1.9. Do not use the appliance in association with a programmer, timer or other device that automatically switches it on.
- 2.1.10. Do not use the appliance if the cable or plug is damaged.
- 2.1.11. Ensure that the voltage indicated on the rating label matches the mains power supply voltage before plugging in the appliance.
- 2.1.12. Connect the appliance to the mains power supply with an earth socket withstanding a minimum of 10 amperes.
- 2.1.13. The appliance's plug must fit into the mains power supply socket properly. Do not alter the plug.
- 2.1.14. If using a multi plug check ratings carefully as the current used by several appliances could easily exceed the rating of the multi plug.
- 2.1.15. If any of the appliance casings breaks, immediately disconnect the appliance from the mains power supply to prevent the possibility of an electric shock.
- 2.1.16. Do not use the appliance if it has fallen on the floor or if there are visible signs of damage.
- 2.1.17. Do not force the power cord. Never use the power cord to lift up, carry or unplug the appliance.

- 2.1.18. Do not wrap the power cord around the appliance.
- 2.1.19. Do not clip or crease the power cord.
- 2.1.20. Do not allow the power cord to hang or to come into contact with the hot surfaces of the appliance.
- 2.1.21. Check the state of the power cord. Damaged or tangled cables increase the risk of electric shock.
- 2.1.22. The appliance is not suitable for outdoor use.
- 2.1.23. Power cord should be regularly examined for signs of damage, and if the cord is damaged, the appliance must not be used.
- 2.1.24. Do not touch the plug with wet hands.
- 2.1.25. Ensure the room is ventilated while the heater is in operation. Do not operate in a bedroom, caravan, boat or any confined spaces.
- 2.1.26. Do not place the heater near walls, curtains or furniture while in operation. Always face the heater towards the center of the room during operation.
- 2.1.27. Do not place objects on or against the heater.

2.2. Personal safety:

- 2.2.1. CAUTION: Do not leave the appliance unattended during use as there is a risk of an accident.
- 2.2.2. Do not touch the heated parts of the appliance, as it may cause serious burns.
- 2.2.3. This appliance is only for domestic use, not for industrial or professional use. It is not intended to be used by guests in hospitality environments such as bed and breakfast, hotels, motels, and other types of residential environments, even in farm houses, areas of the kitchen staff in shops, offices and other work environments.
- 2.2.4. This appliance is not intended for use by persons (including children) with reduced physical, sensory or mental capabilities, or lack of experience and knowledge, unless they have been given supervision or instruction concerning use of the appliance by a person responsible for their safety.
- 2.2.5. This appliance is not a toy. Children should be supervised to ensure that they do not play with the appliance.

2.3. Use and care:

- 2.3. Use and care:
 - 2.3.1. Fully unroll the appliance's power cable before each use.
 - 2.3.2. Do not use the appliance if the parts or acces-

- sories are not properly fitted.
- 2.3.4. Do not turn the appliance over while it is in use or connected to the mains power supply.
- 2.3.5. Unplug the appliance from the mains power supply when not in use and before undertaking any cleaning task.
- 2.3.6. This appliance should be stored out of reach of children.
- 2.3.7. Do not store the appliance if it is still hot.
- 2.3.8. Never leave the appliance unattended when in use and keep out of the reach of children.
- 2.3.9. Unplug the appliance from the mains supply socket after use and before every cleaning. Pull the plug, not the mains cable, in order to disconnect the appliance from the mains.
- 2.3.10. If, for some reason, the appliance were to catch fire, disconnect the appliance from the mains power supply and DO NOT USE WATER TO PUT THE FIRE OUT.
- 2.3.11. This appliance needs to be tested for leaks before initial use and whenever the cylinder has been reconnected after being filled. NEVER USE A NAKED FLAME TO TEST FOR LEAKS.

NOTE: The heater incorporates several safety devices that will shut down the heater in unsafe conditions.

- ODS (Oxygen depletion system) In case of accidental flame failure, the gas heater will shut down automatically.

The Tip Over Switch will turn off the heater if it is not standing upright on a level surface. If this activates, set the heater upright, check for obvious damage and again wait 10-15 minutes before attempting to re-ignite the heater. This device may also operate if the heater is knocked against or bumped.

2.4. Service:

- 2.4.1. Make sure that the appliance is serviced only by suitably qualified technician, and that only original spare parts or accessories are used to replace existing parts/accessories.
- 2.4.2. If the power cord is damaged, the manufacturer or its service agent or a similarly qualified person must replace it in order to avoid a hazard.
- 2.4.3. Any misuse or failure to follow the instructions for use renders the guarantee and the manufacturer's liability null and void.

3. Instructions for use

3.1. Before use:

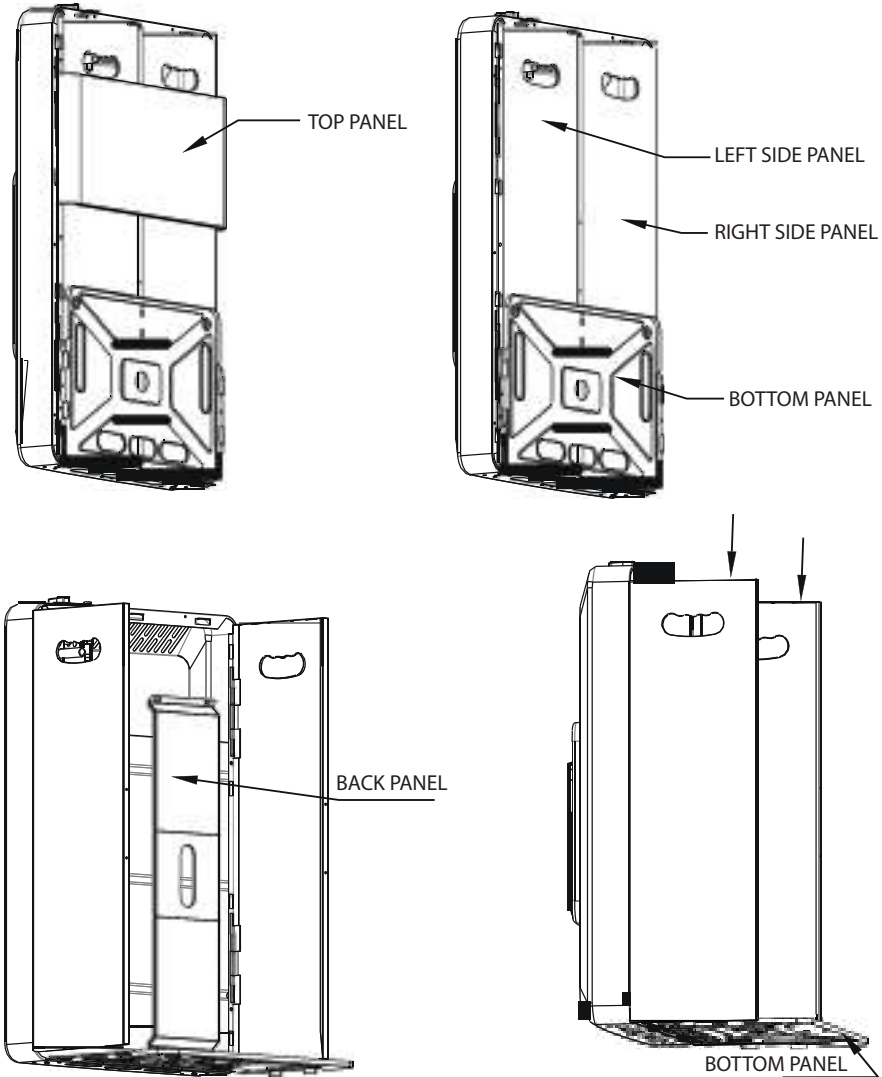
3.1.1. Remove the appliance's protective film (if applicable).

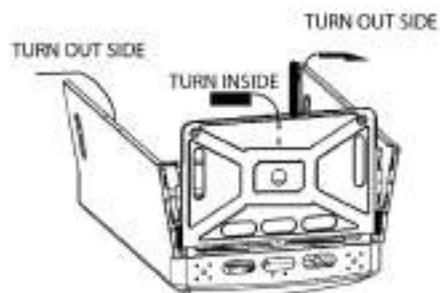
3.1.2. Unwind the power cord.

3.2. Use and care:

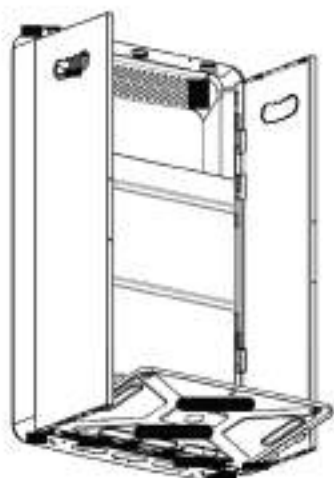
3.2.1. Assembly

1. For your safety, please follow the assembly instructions step by step as provided below.

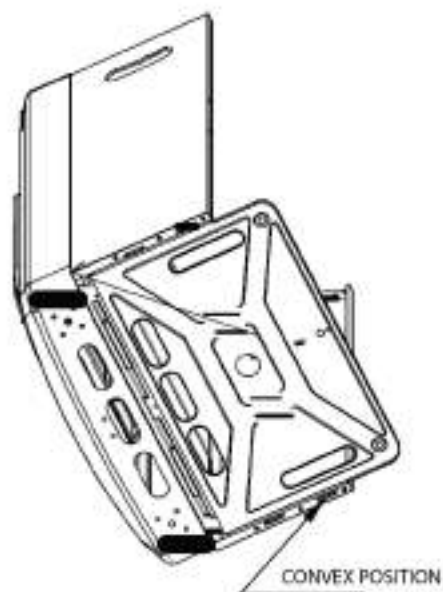




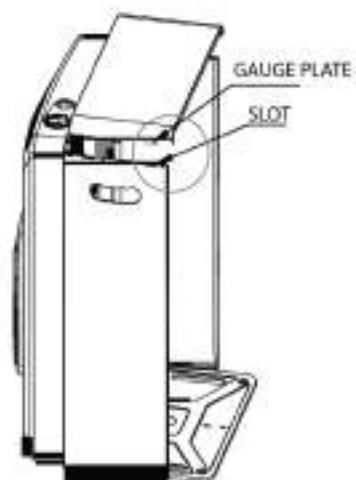
2. Turn the left side and right side panels out, at a 10 degree angle, and then flip the bottom panel in.



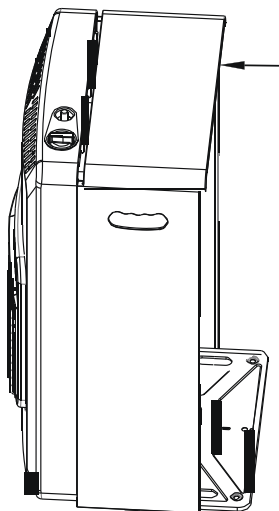
3. Slot the left and right panel into the bottom panel. Be sure to line it properly.



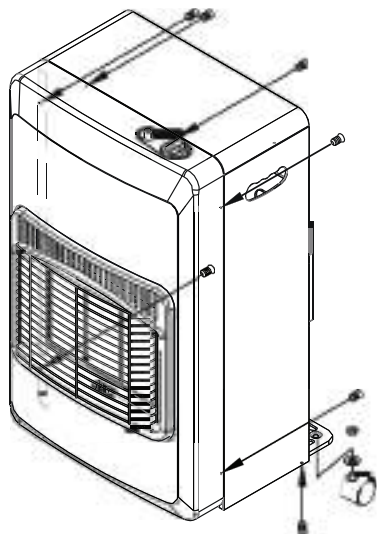
4. Match the position, fasten the left side panel, right panel and bottom panel.



5. Put the top panel on the top of the heater match the position.



6. Push the top panel into the front panel; fasten the left and right side panel and front panel with screws supplied.



7. According to arrow keys fasten with screws; install the back panel and castors. Following the arrows, insert screws and tighten, use the nuts to secure the 5 castor wheels to the bottom panel.

3.2.2. Installing the heater

3.2.2.1. After the heater has been removed from its packaging, remove the back panel from inside the back cavity.

3.2.2.2. Place the filled gas cylinder into the back of the heater with the valve outlet facing outwards.

3.2.2.3. Screw the correct regulator onto the outlet of the gas cylinder valve clockwise. Turn by hand only. Do not use a spanner. Screw on until the nut is fully secured.

3.2.2.4. **IMPORTANT TEST for leaks:** This must be carried out in a well-ventilated area, free from any open flames or other sources of ignition. With the regulator connected to the cylinder, turn on the gas cylinder valve 1 and 1/2 turns anti-clockwise. Brush all hose connections, pipe connections to the gas valve, regulator connection to the cylinder and gas cylinder valve with a 50:50 solution of detergent and water. A stream of bubbles forming is an indication of a leak. If a leak is found, turn off the cylinder valve (clockwise), disconnect the regulator from the gas cylinder and remove the gas cylinder to a cool, outdoor well-ventilated area. Contact your dealer or gas supplier for assistance.

**DO NOT USE THE HEATER IF A LEAK IS FOUND.
DO NOT USE A NAKED FLAME FOR LEAK TESTING.
DO NOT OPERATE ANY ELECTRICAL EQUIPMENT
IN THE PRESENCE OF A GAS LEAK.**

3.2.2.5. After leak-testing has passed, fit the rear panel onto the heater. It may be necessary to twist the cylinder slightly to allow the regulator and hose to fit inside the back panel without kinking the hose.

3.2.2. Using the gas heater

•IMPORTANT: The electric and gas heater cannot be used together.

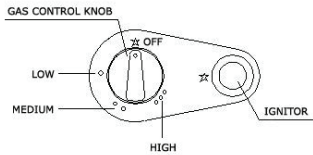
The heater can be regulated to three different heater intensities: 1-LOW, 2-MEDIUM and 3-HIGH. Ignition mode: piezo ignition.

3.2.2.1. Open the valve on the gas cylinder 1 to 1/2 turns.

3.2.2.2. Press down and turn the control knob to 1-low position and hold for 10 seconds.

3.2.2.3. While still holding the control knob in position 1, press the ignition button once or twice until the burner ignites. Continue to hold the knob for

10-15 seconds more after the burner has ignited. If the pilot flame goes out when you release the knob, repeat the above process.



Note:

- UPON first lighting a new heater, it may be necessary to hold the control knob down for a longer time in order to allow gas to flow to the pilot.
- Once the heater is alight at the 1-LOW setting, turn the control knob to 2-MEDIUM or 3-HIGH position to light the second and third panel respectively.
- UPON first lighting, panel 2 and 3 will take a little longer to ignite. Be patient as this is normal.
- To turn off the heater, return the control knob to the OFF position and close the GAS cylinder valve fully (clockwise). The heater can only be turned off by closing the cylinder valve. It cannot be turned off by the control knob.

• Changing the cylinder:

Turn off the cylinder valve fully (clockwise) and allow the heater to cool fully before removing and replacing the cylinder. Do not attempt to remove the regulator while the heater is still running.

- The heater incorporates several safety devices that will shut down the heater in unsafe conditions. The first is that in case of accidental flame failure, the gas heater will shut down automatically. The second device will turn off the heater if it is tipped over, if this activates, set the heater upright, check for obvious damage and again wait 5-10 minutes before attempting to re-light the heater. This device may also operate if the heater is knocked against or bumped.

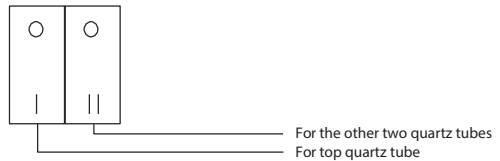
IMPORTANT: You should have purchased suitable 9kg gas cylinder for this heater. The cylinder will require purging of air the first time it is filled, to ensure correct operation of the heater. This should be carried out by the gas filling station. Your cylinder should be checked for safe operation each time when it is filled by an authorized filling station.

3.2.3. Using the electric heater

• **IMPORTANT: The electric and gas heater cannot be used together.**

3.2.3.1. Plug the appliance into the mains power socket.

3.2.3.2. Turn the heater on by selecting your desired heat setting. Pressing the 1st switch will turn on the first quartz tube on and pressing the 2nd switch will turn on the remaining two quartz tubes.



4. Cleaning and maintenance

- 4.1. Disconnect the appliance from the mains power supply before undertaking any cleaning task.
- 4.2. Before any cleaning task is performed, ensure that the gas supply is completely turned off.
- 4.3. Ensure the heater has cooled down completely before undertaking any cleaning task.
- 4.4. The heater should be checked for gas leaks regularly.
- 4.5. Clean the outer parts of the appliance with a damp cloth with a few drops of washing-up liquid and then dry. CAUTION! Do not immerse electrical parts of the appliance in any liquid.
- 4.6. Do not use solvents, or products with an acid or base pH such as bleach, or abrasive products, for cleaning the appliance.
- 4.7. Never submerge the appliance in water or any other liquid or place it under running water.

5. Anomalies and repair

- 5.1. Take the appliance to an authorised support centre if product is damaged or other problems arise.
- 5.2. If the connection to the mains has been damaged, it must be replaced and you should proceed as you would in the case of damage.

PRODUCT SPECIFICATIONS:

Brand name	Taurus	
Model number	947183	
Gas type	LPG only	
Cylinder size	9kg cylinder only	
Ignition	Piezo ignition	
Gas orifice	0.59mm	
Regulator (kpa)	Outlet	2.8 [±] 0.5
	Inlet	80~700
Operating pressure	2.8kPa	
Max gas consumption	0.375kg/h	
Heat capacity	Max	4.2 kW
	Med	2.8kW
	Min	1.4kW
Electric Output	1200W	
Weight(kg)	11kg	
Boxed Size(lbxh)	420x150x695mm	

For indoor use only
Regulator and hose supplied. Replace only with a SANS 1237 approved regulator and SANS1156 or 853212 approved hose.

IF YOU SMELL GAS:

- Turn off gas supply at bottle
- Extinguish all naked flames;
- Do not operate any electrical appliances
- Ventilate the area
- Check for leaks as detailed in this manual

If odour persists, contact your dealer or gas supplier immediately

BURN-BACK (FIRE IN BURNER TUBE OR CHAMBER)

In the event of a burn-back, where the flame burns back to the jet, immediately turn the gas supply off at the control valve on the panel. After ensuring the flame is extinguished, wait for 1 minute and relight the appliance in the normal manner. Should the appliance again burn back, close the control valve and call a service technician. Do not use the appliance again until the service technician has declared that it is safe to do so.

GAS-PRESSURE REGULATOR

This appliance requires an operating pressure of 2,8 kPa at the appliance. A suitable LPG regulator that complies with the requirements of SANS 1237 must be installed.

IMPORTANT INFORMATION FOR THE USER

This appliance may only be installed by a registered SAQCC Gas installer. All registered installers are issued with a card carrying their registration

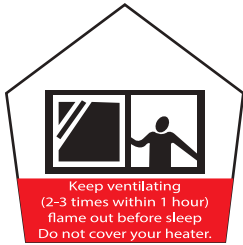
number. Ask to be shown the card before allowing the installation work to commence and make a note of the Installer registration number. Upon completion of the installation, the installer is required to explain the operational details of the appliance together with the safety instructions. You will be asked to sign acceptance of the installation and be provided with a completion certificate. You should only sign for acceptance of the installation when the installation is completed to your satisfaction. Note that your invoice is required in the event that you wish make a guarantee claim.

IMPORTANT INFORMATION FOR THE INSTALLER.

This appliance may only be installed by a gas installer registered with the South African qualification and certification committee (SAQCC). The appliance must be installed in accordance with the requirements of SANS 10087-1 for use with LPG, SANS 827 for use with NG and any fire department regulations and/or local bylaws applicable to the area. If in doubt, check with the relevant authority before undertaking the installation. Upon completion of the installation you are required to fully explain and demonstrate to the user the operational details and safety practices applicable to the appliance and the installation.

Warning labels on heater:

Fig. 1:



Keep room well ventilated. Switch off gas supply when heater is not in use. Do not cover the heater. (Fig. 1)

Fig. 2:

<p>CHECK LIST(before connecting cylinder and igniting heater)</p> <ul style="list-style-type: none"> ➤ CHECK, that the hose clamps are to the right place and properly tightened ➤ CHECK that the nose washer in the regulator is in place ➤ CHECK that when fitting the cylinder into the rear cabinet of the heater, you make sure that you rotate the cylinder until the regulator faces towards the OUT SIDE BACK of the cabinet, thus keeping the hose away from the heat zone near the front panels. ➤ CHECK for leaks as per the guidelines in this manual before lighting ➤ A slight gas smell may be detected-this is normal please refer to Manual ➤ NB: NEVER leave the heater unattended or burning through the night while you sleep ➤ NB: THE HEATER MUST BE TURNED OFF USING THE CONTROL KNOB ON THE HEATER FRONT AND ONLY THEN CLOSING THE CYLINDER VALVE. 	<p>IGNITION</p> <ul style="list-style-type: none"> ➤ Depress the control knob for between 6 to 12 seconds to allow the gas to reach the pilot flame-BE CARE striking the ignition button. ➤ Keep the control knob down for at least another 5-20 seconds to enable the Thermocouple to heat up and to allow the valve to open ➤ When changing the heater settings, depress the control switch down slightly BEFORE turning to the next setting. Follow this procedure with each up or down setting ➤ It is NORMAL for a blue 'rolling' flame to appear for a short while-the flame will settle within 15-20 seconds ➤ ONLY A 9kg cylinder must be used
--	--

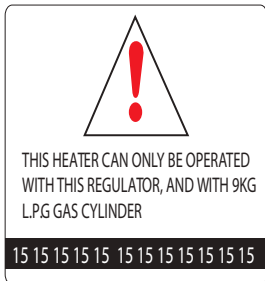
Checklist and ignition instructions. (fig.2)

Fig. 3:



Important safety warning. (fig.3)

Fig. 4:



Caution! 9kg LPG gas cylinder only.(fig.4)

Fig.5:

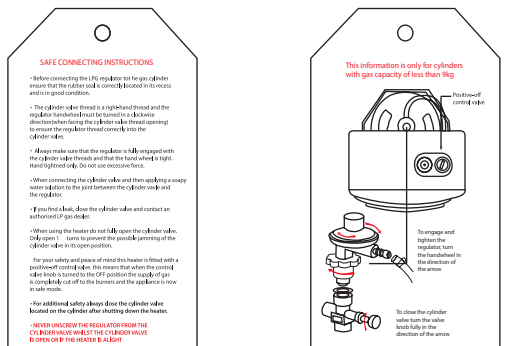
Roll about Heater - Safety Tips

Make sure you read the instruction booklet supplied with this heater before attempting to fit the cylinder or light the heater

1. Never move the heater whilst it is lit.
2. When in use keep it away from flammable materials e.g. curtains. Do not use it as a clothes dryer.
3. Keep it away from draughts.
4. Keep young children and animals away from the heater.
5. When lit, do not leave the heater unattended.
6. When in use, place the heater so that people do not knock or brush against the heater whilst moving about the room.
7. When changing cylinders it is best to do this outside. Always make sure that the cylinder valve has been closed before removing the regulator.
8. When changing cylinders always check that the rubber seal is in place on the regulator and that it is in good condition before connecting the new cylinder. Replace the seal if in any doubt.
9. After changing cylinders always carry out a leak test as described in the instruction booklet.
10. Ensure that the cylinder is positioned such that the regulator faces the back of the cabinet so that the hose is kept clear of the heat zone near the front panels. Check that the hose is not kinked.
11. It is strongly advised that a dry powder fire extinguisher is kept in the house in order to safely deal with any uncontrolled fires. These are available from hardware stores, builders merchants, security shops etc.

Safety tips. (fig.5).

Fig. 6:



Safety connection instructions. (fig.6)

Troubleshoot Guide:

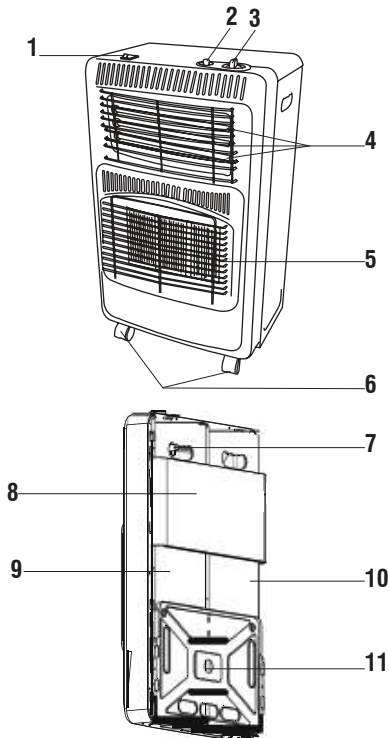
Symptoms	Cause	Corrections
Heater fails to ignite	<ul style="list-style-type: none">• Gas cylinder depleted.• Gas regulator not properly secured.• Gas cylinder valve not open properly.	<ul style="list-style-type: none">➤ Ensure that gas cylinder is at a sufficient level.➤ Ensure that the gas cylinder valve is open to the desired position.
Heater fails to stay ignited	<ul style="list-style-type: none">• The heater is not placed on a level surface.• The oxygen level in the area the heater is being used is not sufficient.• The gas level in the gas cylinder is depleted.	<ul style="list-style-type: none">➤ Ensure that the heater is placed on a level surface as it is fitted with a tip over switch that will eliminate the gas supply to the heater.➤ Ensure that the heater is placed in a well ventilated area as it requires sufficient oxygen to stay ignited.➤ Investigate the condition of the gas cylinder to ensure that it has sufficient gas left.
Heater fails to ignite after gas cylinder change	<ul style="list-style-type: none">• Pipe and clamps are not fastened correctly.• Not sufficient gas at burners for pilot light to ignite.• Gas cylinder is not levelled correctly, kinks are present in the supply pipe.	<ul style="list-style-type: none">➤ Ensure that all clamps from the gas regulator and gas cylinder is properly fastened.➤ Allow enough time by holding down the control knob for the gas (Max: 15sec Note: always ignite the heater by standing at the back of it and not to the front of it.)➤ Ensure that the gas cylinder is placed properly at the back of the heater and that there are no kinks present on the supply pipe.

Afrikaans handleiding

Dear customer,

Baie dankie vir u keuse om 'n Taurus handelsmerk produk te koop. Danksy die tegnologie, ontwerp en werking en die feit dat dit voldoen aan die strengste gehalte standaarde, is u verseker van 'n volle bevredigende gebruik en lang produklewe.

1. Parte Beskrywing



1. Kwarts buis aan/af skakelaar
2. Ignitor knoppie
3. Gas reguleerder beheer
4. Kwarts buise
5. Keramiek verwarming paneel
6. Castor wiele
7. Gas klep
8. Boonste paneel
9. Regter paneel
10. Linker paneel
11. Onderste paneel

2. Belangrike veiligheidsvoorsorg!

Lees asseblief en stoor die handleiding
Wanneer elektriese toestelle gebruik word, moet die basiese veiligheidsmaatreels gevolg word.

2.1. Gebruik en werksomgewing:

- 2.1.1. Die toestel is vir huishoudelike gebruik alleen en nie vir kommersiele gebruik
- 2.1.2. Die toestel moet nie buite gebruik word nie (tensy dit vir die doel vervaardig is)
- 2.1.3. Gebruik die produk in 'n goed geventileerde area.
- 2.1.4. Die toestel mag nie aan hitte, direkte sonlig of nattigheid blootgestel word nie (i.e. Reën)
- 2.1.5. Maak die buitekant van die toestel met 'n klam lap skoon en moet glad nie in water gedruk word nie.
- 2.1.6. Moenie die prop met nat hande hanteer nie.
- 2.1.7. Die toestel is ontwerp om materiaal wat nie gevaarlik is en vlambaar is op te suig.
- 2.1.8. Die verbindings mag nie naby die gesig kom nie. Die mondstuk mag nie na persone of diere gerig word nie..
- 2.1.9. Hou kinders en omstanders weg wanneer toestel gebruik word..
- 2.1.10. Moenie warm as, warm kole, groot stukke glas en skerp.
- 2.1.11. Moenie toner stof wat in 'n drukker gebruik word opsuig nie, want dit is Elektries geleidend. Dit sal nie deur die filter sisteem gaan nie en sal in die lug vrygelaat word.
- 2.1.12. Die toestel mag nie naby vlambare materiaal geplaas word nie.
- 2.1.13. Do not use the appliance in association with a programmer, timer or other device that automatically switches it on.
- 2.1.14. Moenie die toestel gebruik as die koord of prop beskadig is.
- 2.1.15. Maak seker die spanning soos aangedui op die gradering etiket kom ooreen met die hoofspanning.
- 2.1.16. prop in elektriese uitlaat wat 16 ampere hanteer
- 2.1.17. die toestel prop moet in die hoof prop pas en Moenie die prop verander.
- 2.1.18. Indien 'n multi prop gebruik word maak seker die toestel se strome oorskry nie die gradering van die multi prop
- 2.1.19. Moenie die toestel gebruik as die prop of koord beskadig is nie of enige sigbare skade aan die

omhulsel is nie

2.1.20. Moenie die toestel gebruik as dit op die vloer geval het en daar is sigbare skade

2.1.21. Moenie die koord gebruik om toestel op te tel of te sleep.

2.1.22. Die koord mag nooit om die toestel gedraai word nie.

2.1.23. Moenie die koord plooi nie

2.1.24 Moenie die prop met nat hande hanteer nie.

2.1.25. Maak seker die kamer is goed geventileer wanneer verwarmers gebruik word. Moenie in slaapkamer, karavane, bote en beperkte spasies gebruik word nie.

2.1.26. Moenie die verwarmers naby die muur, gordyne of meubels plaas nie. Die verwarmers moet altyd na die binnekant van die kamer wys.

2.1.27 Moenie voorwerp op en teen die verwarmers sit nie.

2.2. Persoonlike veiligheid:

2.2.1. LET WEL: Moenie die toestel sonder toesig laat nie.

2.2.2. Moenie warm oppervlaktes aanraak nie gebruik handvatsels of knoppe want dit kan lei tot ernstige brandwonde.

2.2.3. Die toestel is nie geskik vir industriële gebruik soos kantore, hotelle, motelle en gastehuse.

2.2.4. Die toestel is nie geskik vir gebruik deur verminderde fisiese verstandelike vermoens of gebrek aan ervaring of kennis tensy hulle opleiding gehad het.

2.2.5. Die toestel is nie 'n speelgoed en kinders moet altyd toesig hê om te verhoed dat hulle met die toestel speel.

2.3. Gebruik en sorg:

2.3.1. Die kabel moet ten volle afgewikkel word voor gebruik.

2.3.2. Die toestel moet nie gebruik word as die par te of bykomstighede nie behoorlik pas.

2.3.3. Die Toestel moet nooit gedraai word terwyl dit in werking is of in die muurprop gekoppel is.

2.3.4. Ontkoppel die toestel van die hooffoetvoer as dit nie in gebruik is nie en laat dit heeltemal afkoel voordat dit skoongemaak word. As dele afgehaal word of toegevoeg word, moet die toestel nie in werking wees nie.

2.3.5. Die toestel moet buite bereik van kinders gestoor word.

2.3.6. Die toestel moet altyd onder toesig wees wanneer in gebruik en moet buite bereik van kinders gehou word.

2.3.7. As die toestel aan die brand slaan, ontkoppel van die muursok end gooi n kombuis vadoek oor. **MOET NOOT WATER GEBRUIK NIE!**

2.3.11. Die toestel moet getoets word om sker te maak die gas letk nie en wanneer die slider hervul word. **MOET NOOIT 'N VLAM GEBRUIK OM TE TOETS VIR LEKASIES NIE!**

NEEM KENNIS: Die verwarmers het verskeie veiligheids toestelle wat die verwarmers sal afsit as die kondisies onveilig is.

- (Suurstof uitputting stelsel) In geval van vlam mislukking sal die gas verwarmers automaties afskakel Die omslaan skakelaar sal afsit as die verwarmers omval of nie op 'n stewige oppervlakte staan nie. As dit gebeur sit die verwarmers regop, maak seker niks is beskadig nie en wag 10 – 15 min voor jy die verwarmers aansit. Dit sal ook gebeur as die verwarmers gestamp word.

2.4. Diens:

2.4.1 Die toestel mag net deur 'n gemagtigde tegnikus gediens word. Alle parte wat vervang word moet die oorspronklike parte wees.

2.4.2. As die koord beskadig is an dit net deur gemagtigde tegnikus vervang word.

2.4.3. Enige misbruik maak die waarborg nul en van gener waarde.

3. Instruksies vir gebruik

3.1. Voor gebruik:

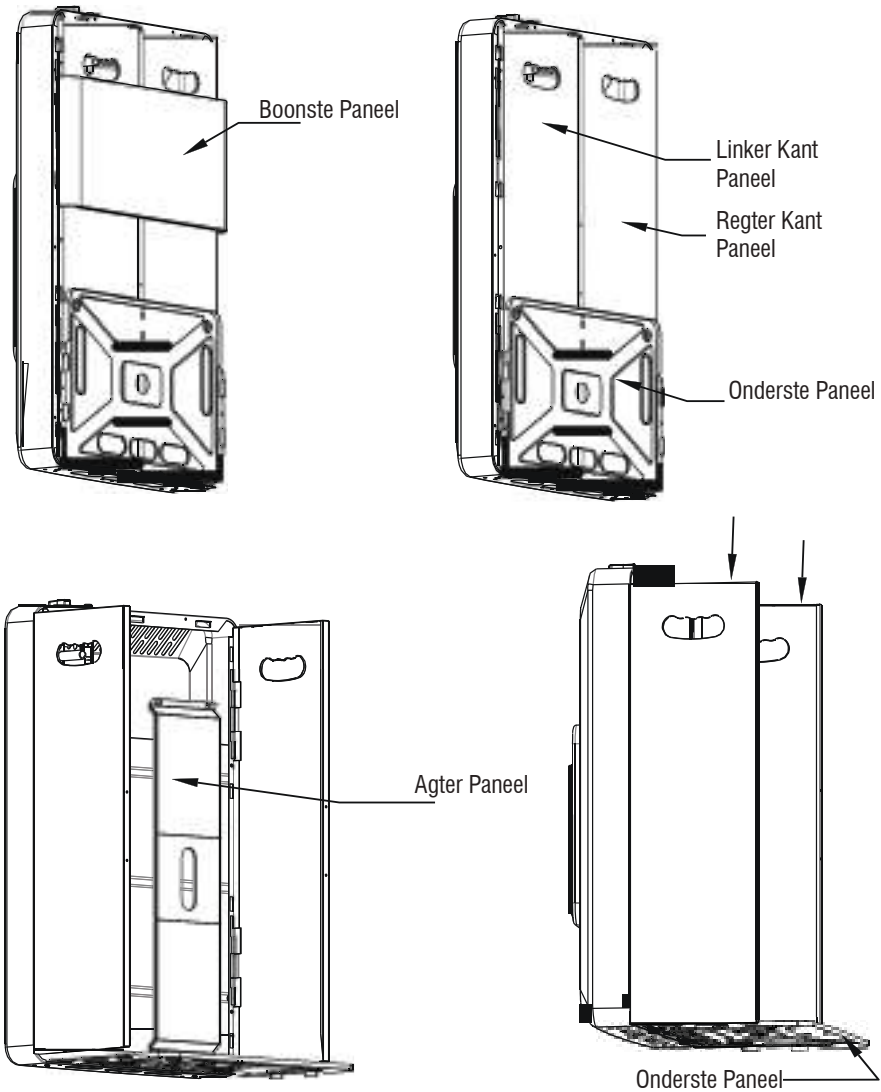
3.1.1. Verwyder verpakkings material waar nodig

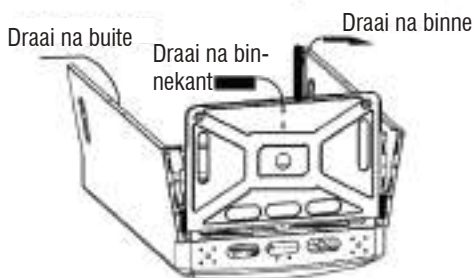
3.1.2. Ontwikkel die koord heeltemal

3.2. Gebruik en sorg:

3.2.1. Aan mekaar te heg:

1. Vir jou veiligheid volg die instruksies stap vir stap soos onder aangedui.

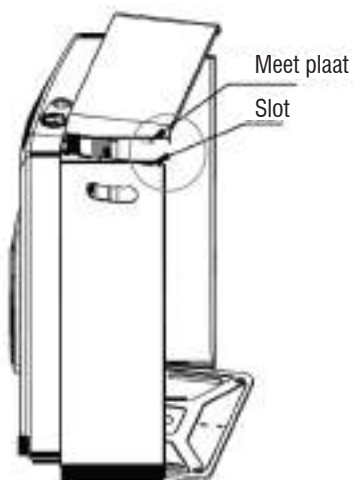




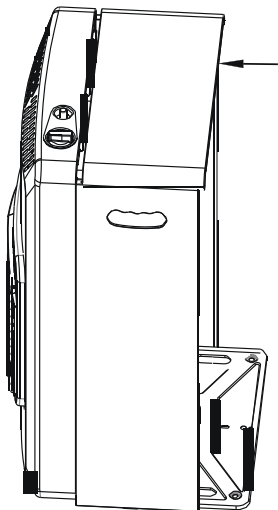
2. Draai die linker en regter kant panele uit teen 'n 10 grade wydte en sit die onderste panel in.



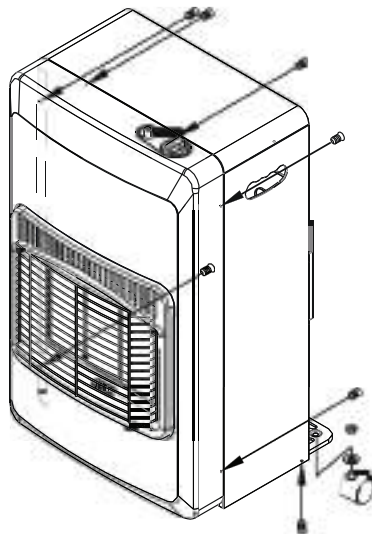
3. Sit die link en regter kant panele in die onderste gleuwe en lyn behoorlik.



4. Lyn posisie op en maak die linker, regter en onderste panel vas.



6 Druk die boonste panel in die voorste panel. Heg linker, regter en voorste panele met die skroefies wat by gekom het.



7. Volg die pyltjies om die skroewe in te sit en maak stewig vas. Gebruik die boude om die wiele aan die onderste panel aan te heg.

3.2.2. Installasie van verwarmer

3.2.2.1. Na alle verpakings materiaal verwyder is haal die agterste panel af.

3.2.2.2. Plaas die gas bottle in die agterkant van die verwarmer met die klep wat uit wys

3.2.2.3. Skroef die korrekte regulator aan die uitlaat klep van die gas bottle kloksgewys. Draai met die hand vas allenklik. Draai tot dit stewig vas is.

3.2.2.4. BELANGRIKE TOETS VIR LEKPLEKKE: Die toets moet in 'n goed geventileerde area plaasvind.

Met die reguleerder gekoppel aan die gas bottle draai 1 en 'n 1/2 draaie anti kloksgewys. Borsel die pyp konneksies na die klep en regulator met 50/50 mengsel van seep en water. As borrels vorm is dit 'n indikasie van 'n lekplek. Diskonnekteer die regulator van die gas bottle en kontak jou gas verskaffer vir hulp.

MOENIE GEBRUIK AS DAAR 'N LEKPLEK IS NIE MOENIE 'N OOP VLAM GEBRUIK OM TE TOETS VIR LEKPLEKKE NIE. MOENIE ELEKTRIESE TOESTELLE GEBRUIK AS DAAR 'N LEK PLEK IS NIE.

3.2.2.5. Na die lek toets voltooi is en daar is nie lek plekke nie, sit die agterste panel terug op die verwarmer. Jy mag dalk die gas bottle effens moet draai

om dit te laat pas. Maak seker die pyp buig nie.

3.2.2. Gebruik van gas verwarmer

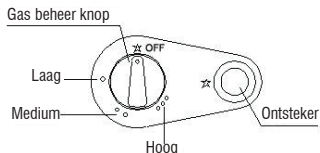
•BELANGRIK: Die elektriese en gas verwarmer kan nie saam gebruik word nie.

Die Verwarmer kan gereguleer word op drie verskillende intensiteite: 1-LAAG, 2-MEDIUM and 3-HOOG. Onsteking wyse: piezo aansteker

3.2.2.1. Draai die klep op die gas silider 1 tot 11/2 draaie oop

3.2.2.2. Druk af en draai die kontrole knop na 1- lae posisie en hou vir 10 sekondes

3.2.2.3. Hou die kontroleer knop in posisie 1 en druk die aansteek knoppie tot die verwarmer aangaan. Hou die knop in vir 10-15 sekondes na die verwarmer aangegaan het. Los die knop en herhaal die proses.



NEEM KENNIS

- Dit sal dalk nodig wees om die kontrole knop langer in te hou as die verwarmers vir die eerste keer gebruik word om toe te laat vir die gas om te vloei
- Wanneer die verwarmers aan is op 1 – laag, draai na 2-medium of 3- hoog om die ander panele aan te sit..

- Panele 2 and 3 sal langer vat om aan te steek wanneer eerste maal gebruik. Dit is normal.

- Om verwarmers af te skakel draai kontrole knop na as posisie en maak die gas silinder klep te volle toe (kloksgewys). Die verwarmers sal net af gaan as die gas silinder toegemaak word.

• VERANDER DIE SILINDER:

Maak die silinder klep heeltemal toe (kloksgewys) en laat die verwarmers toe om af te koel voor die silinder vervang word. Die silinder mag glad nie vervang word as die verwarmers aan is nie.

- Die verwarmers het verskeie ingeboude veiligheids toestelle wat sal afskakel as die verwarmers in onveilige toestande gebruik word.

1. As die vlam nie aankom na `n tyd sal die verwarmers afskakel.

2. Die tweede toestel sal afgaan as die verwarmers omval, in die geval sit die verwarmers regop en gaan na vir enige skade en wag dan 5 – 10 min voor die verwarmers weer aangeskakel word. Die veiligheids toestel aktiveer ook as daar teen die verwarmers gestamp word.

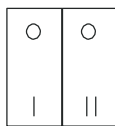
BELANGRIK: `N GESKIKTE 9KG SILINDER MOET VIR DIE VERWARMERS GEKOOP WORD.

Die silinder sal suiwering van lug vermag wanneer dit die eerste keer gebruik word om korrekte gebruik van verwarmers te verseker. Jou silinder moet na gegaan word elke keer as die silinder hervul word

3.2.3. Gebruik van elektriese verwarmers

• **BELANGRIK: Die gas en elektriese verwarmers kan nie saam gebruik**

3.2.3.1. Koppel die toestel aan die hoof krag prop.
3.2.3.2. Skakel die verwarmers aan deur die gewenste hitte stelling te gebruik. Deur die eerste skakelaar te druk sal die eerste kwarts buis aanskakel en deur die tweede skakelaar te druk sal die oorblywende twee kwarts buise aanskakel



Vir die ander twee kwarts buise
Vir die boonste kwarts buis

4. Skoonmaak en sorg

- 4.1. Ontkoppel van krag prop voor enige skoonmaak begin

- 4.2. Voor skoonmaak begin maak seker die gas toevoer is heeltemal af.

- 4.3. Laat die verwarmers heeltemal afkoel voor skoonmaak begin

- 4.4. Die verwarmers moet gereeld ondersoek word vir gas lekke

- 4.5. Maak die buitekant van die toestel skoon met a klm doek en `n paar druppels skoonmaakmiddel en maak deeglik droog

VERSIGTIG! Die toestel mag glad nie in water of enige vloeistof gedompel word nie.

- 4.6. Moenie skuur produkte of suur gebruik op die toestel of bleikmiddels om skoon te maak nie

5. Anomolies en herstel

- 5.1. Neem die toestel na `n gemagtigde tegniese sentrum as toestel beskadig is of probleme ontstaan

- 5.2. As koneksie na die muurprop beskadig is moet die toestel vervang word volgens waarborg

PRODUK SPESIFIKASIES:

Handels naam	Taurus	
Model nommer	947183	
Gas tipe	LPG only	
Silinder grootte	9kgsilinder alleen	
Aansteker	Piezo ignition	
Gas orifice	0.59mm	
Regulator (KPA)	Outlet	2.8 [±] 0.5
	Inlet	80~700
Werkdruk	2.8kPa	
Max gas consumption	0.375kg/h	
Hitte Kapasiteit	Max	4.2 kW
	Med	2.8kW
	Min	1.4kW
Elektriese uitset	1200W	
Gewig	11kg	
Boks grootte(lxbxh)	420x150x695mm	

Vir binne gebruik alleenik. Regulator en pyp word voorgiesien. Vervang alleenik met 'n SANS 1237 goeiekeurde regulator en SAN 1156 of 853212 pyp.

Jy sal gevra word om te teken vir installasie maar doen dit net as jy ten volle tevrede is met al die instruksies en veiligheids instruksies. Bewaar jou faktuur as daar 'n waarborg eis is

BELANGRIKE INLIGTING VIR INSTALLEERDER.

Die toestel mag net deur 'n geregistreerde gas installeerder wat SA kwalifikasies het (SAQCC). Die toestel moet volgens SANS 10087-1 gebruik met LPG, SANS 827

Vir gebruik met Ng en enige brandweer regulasies en plaaslike verordeninge in die area. Na installasie moet die installeerder demonstree en verduidelik die werk en veiligheids operasies

As jy gas ruik:

- Draai die gas silinder toe
- Maak alle vlamme dood
- Moenie elektriese toestelle gebruik nie
- Ventileer die area
- Gaan na vir gas lekke soos in handleiding

As die gas reuk bly gaan na die handelaar

Brand terug (Vuur in brander buis)

As die vlam terug brand in die gas straler draai die gas onmiddelik toe. As die vlam heeltemal uit is wag 1 minuut and sit die verwarmers aan soos in instruksies. As die probleem weer voorkom maak die gas toe en neem na 'n diens sentrum. Moenie weer gebruik tot die tegnikus die verwarmers hersien het en veilig verklaar.

GAS-DRUK REGULATOR

Die toestel benodig 'n druk van 2,8 kPa. 'n geskikte LPG regulator wat voldoen aan vereistes van SANS 1237 moet ge installeer word.

BELANGRIKE INLIGTING VIR VERBRUIKER

Die toestel mag net deur a geregistreerde SAQCC gas installeerder gedoen word.

Alle gas installeerders het 'n registrasie kaart met 'n nommer

Vra vir die kaart voor installasie begin.

Na installasie moet die persoon die werking en veiligheids instuksies verduidelik.

Waarskuwings etikette op verwarmer:

Fig.1:



Hou kamer geventileerd. Skakel die verwarmer af na gebruik. Moenie verwarmer toemaak .(Fig.1)

Fig.2:

<p>CHECK LIST(before connecting cylinder and igniting heater)</p> <ul style="list-style-type: none"> > CHECK, that the hose clamps are in the right place and properly tightened > CHECK that the nose washer in the regulator is in place > CHECK the when fitting the cylinder into the rear cabinet of the heater, you make sure that you rotate the cylinder until the regulator faces towards the OUT SIDE BACK of the cabinet, this keeping the hose away form the heat zone near the front panels > CHECK for leaks as per the guidelines in this manual before lighting > A slight gas smell may be detected-this is normal please refer to Manual > NEVER leaves the heater unattended or burning through the night while you sleep > NEVER THE HEATER MUST BE TURNED OFF USING THE CONTROL KNOBS ON THE HEATER FIRST AND ONLY THEN CLOSING THE CYLINDER VALVE. 	<p>IGNITION</p> <ul style="list-style-type: none"> > Depress the control knob for between 8 to 10 seconds to allow the gas to reach the pilot flame-BEFORE striking the ignition button. > Keep the control knob down for at least another 5-20 seconds to enable the Thermocouple to heat up and to allow the valve to open > When changing the heater settings, depress the control switch down slightly BEFORE turning to the next setting. Follow this procedure with each up or down setting > It is NORMAL for a labor "rolling" flame to appear for a short while-the flame will settle within 15-20 seconds > ONLY A 9kg cylinder must be used
---	--

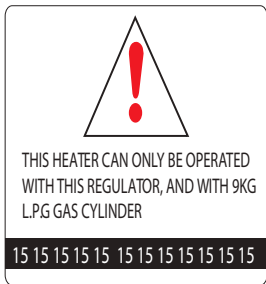
Kontrolelys en ontsteking instruksies. (fig.2)

Fig.3:



Belangrike veiligheid. (fig.3)

Fig.4:



Waarskuwing! 9kg LPG gas silinder alleenlik. (fig.4)

Fig.5:

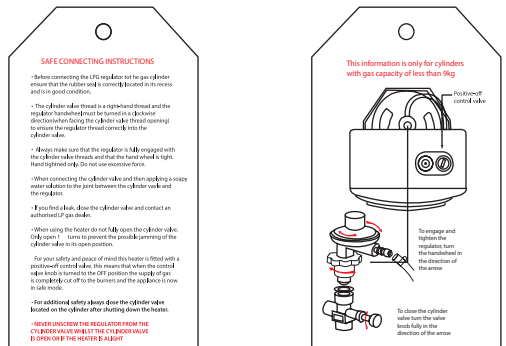
Roll about Heater - Safety Tips

Make sure you read the instruction booklet supplied with this heater before attempting to fit the cylinder or light the heater

1. Never move the heater whilst it is lit.
2. When in use keep it away from flammable materials e.g. curtains. Do not use it as a clothes dryer.
3. Keep it away from draughts.
4. Keep young children and animals away from the heater.
5. When lit, do not leave the heater unattended.
6. When in use, place the heater so that people do not knock or brush against the heater whilst moving about the room.
7. When changing cylinders it is best to do this outside. Always make sure that the cylinder valve has been closed before removing the regulator.
8. When changing cylinders always check that the rubber seal is in place on the regulator and that it is in good condition before connecting the new cylinder. Replace the seal if in any doubt.
9. After changing cylinders always carry out a leak test as described in the instruction booklet.
10. Ensure that the cylinder is positioned such that the regulator faces the back of the cabinet so that the hose is kept clear of the heat zone near the front panels. Check that the hose is not kinked.
11. It is strongly advised that a dry powder fire extinguisher is kept in the house in order to safely deal with any uncontrolled fires. These are available from hardware stores, builders merchants, security shops etc.

Veiligheid. (fig.5).

Fig.6:



Konneksie instruksies. (fig.6)

Probleem Gids:

Probleem	Rede	Aksie
Verwarmer wil nie aansteek	<ul style="list-style-type: none">● Gas silinder leeg.● Gas regulator nie behoorlik vas nie.● Gas silinder klep nie oop nie	Maak seker die silinder het genoeg gas. Maak seker die klep is op die regte posisie oop.
Verwarmer wil nie aanbly nie	<ul style="list-style-type: none">● Die verwarmer is nie op 'n gelyke oppervlakte nie.● Die lug in die area waar die verwarmer gebruik word is nie genoeg nie.● Die gas in silinder is klaar.	Maak seker die verwarmer is op 'n gelyke vlak want die oorval skakelaar sal die verwarmer afskakel Maak seker die verwarmer is in 'n goed geventileerde area. Gaan die kondisie van die silinder na en kyk of daar genoeg gas in is
Verwarmer wil nie aansit na silinder verander is	<ul style="list-style-type: none">● Pyp en klampe is nie goed vasgemaak nie.● Nie genoeg gas om aan te skakel● Gas silinder is nie gelyk en daar mag dalk kinkels in die pyp wees.	Maak seker alle klampe van die regulator na die silinder is vas Laat genoeg tyd om die kontrole knop af te hou vir die gas. Staan agter die verwarmer wanneer jy aansteek Maak seker die gas silinder is behoorlik agter in die verwarmer en daar is geen kinkels in die pype nie

taurus

2 YEAR WARRANTY

1 YEAR RETAIL
+1 YEAR EXTENDED
taurusappliances.co.za
Register Online

Thank you for purchasing a Taurus product. Taurus guarantees that your product has been thoroughly inspected and tested before being dispatched and is free from mechanical and electrical defects and complies with the applicable safety standards. With every Taurus product purchased you get a 2 year warranty as detailed in the terms and conditions below.

First Year – 1 Year Retail Warranty:

Should defects due to faulty parts or workmanship develop, under normal domestic use, within 12 months from the original date of purchase please return the product to the store from where it was purchased for a refund or replacement.

Second Year – 1 Year Extended Warranty

Taurus takes pride in their product quality and therefore offer an extended 12 month warranty over and above the 1 Year Retail Warranty. Should defects due to faulty material or workmanship develop, under normal domestic use, after the 12 month period and within 24 months from the original date of purchase, please return the product postage pre-paid to Taurus for repair. Taurus will repair the product free of charge and return it to you directly. Taurus will replace a product with a similar product in the same or better condition, if the repair cannot be conducted for whatever reason.

NB: The 1 Year Extended Warranty is only valid for customers who have registered their warranty online at www.taurusappliances.co.za within the first year after making their purchase. See overleaf for details and instructions.

Before returning your product, check the following:

- Your household mains supply socket is in good condition, working and switched on.
- The mains supply circuit is not overloaded (White trip switch on your DB board is off).
- You have read the trouble shooting guide in your Instructions for Use.
- All accessories and parts are present.

The following conditions apply:

1. Please ensure you retain your receipt as this must be presented when making a claim under the terms of the guarantee. It is impossible to determine the guarantee period without proof of purchase, so please keep this in a safe place. (NB. Your guarantee can be scanned onto the Taurus web site for safe storage – see reverse side for details.)
2. If a refund or exchange is required the product must be complete with all accessories, parts and packaging. Missing parts will render the guarantee void.
3. Upon receipt of your appliance, check it for any transport damage to ensure it is safe for use. Return it to the store as soon as possible for exchange if damaged. The guarantee is void if products are damaged after

use, so please do not use the damaged product.

4. Your product is designed for normal domestic household use. Failure to read and comply with the instructions for use, cleaning and maintenance will render your guarantee void, so please read these instructions carefully to ensure your safety, and to get the most effective use from the product. (e.g. not removing lime scale; water deposits; insect infestation, and/or burnt products)
5. Any abuse, negligent, improper or accidental use or care will render the guarantee void and Creative Housewares (Pty) Ltd will not be liable for any loss or damage.
6. Any attempted repair, or replacement of unauthorised parts will render the guarantee void, so please contact an authorised service centre or service agent for any service or repair requirements.
7. NB: The guarantee on replaced products will be from the original date of purchase and not from when the date replacement was made.
8. All repairs carry a 3 month guarantee even if this falls outside of the 2 year guarantee period.
9. Taurus will attempt to conduct repairs within reasonable time in line with industry standards but cannot be held responsible or liable for any circumstances not under our control.

Repairs Out of the Warranty Period

If service or repair becomes necessary outside the warranty period, this service is still available however all transport/postage, spares and labour costs will be for the customers' account. All chargeable repairs will require the customers' written acceptance of the quote. Once the go-ahead has been received Taurus will undertake to conduct the repair within a reasonable time and maintain the condition of the product as received. All repairs are guaranteed for 3 months from the date of the repair.

For any service, enquiries and complaints please contact our Customer Care on 086 111 5006 or e-mail help@creativehousewares.co.za from 08h00 to 15h00 Monday to Friday excluding public holidays. Please also note that the company is normally closed for 2 weeks around Christmas and New Year.

Please send all products for repair postage pre-paid to one of the service centres listed on the back of this page.

ONLINE WARRANTY REGISTRATION

Why register your warranty?

We at Taurus pride ourselves on bringing premium quality appliances to market, and as a commitment to this level of quality we offer a 2 year warranty (1 Year Retail + 1 Year Extended) on all of our products. We often hear that our customers lose their receipts and can therefore no longer claim if they have a problem. To take advantage of the 1 Year Extended Warranty you will need to register your warranty online within the first year of purchase in order to make a valid claim. Now you can register your product, upload your warranty online, never have to worry about losing your receipt again and enjoy the benefit of your 2 year warranty.

Added Benefits

In addition to providing you with an online profile of your registered products we will also provide a host of value added benefits:

- Incentives and Competitions for registered users
- New recipes or ideas for your products
- New product developments – be the first to get the latest appliances
- Special offers on promotional items

How to Register your Online Warranty?

STEP1 Create your user profile:

If you haven't done so already, simply visit www.taurusappliances.co.za, click on the "Product Registration" link and follow the easy instructions. You will receive a username and password once registered. This will give you access to your user profile.



taurusappliances.co.za

STEP2 Pick a registration method:



DESKTOP/ LAPTOP

- Open your internet browser and visit www.taurusappliances.co.za
- Click on the "Registration" link and login using your user name and password.
- Click on "Register your products and upload receipts" and follow the easy instructions.
- Scan and upload your receipt



SMART PHONE/ TABLET

- Scan the QR code above or visit www.taurusappliances.co.za
- Click on the "Registration" link and login using your user name and password.
- Click on "Register your products and upload receipts" and follow the easy instructions.
- Scan or take a photo and upload your receipt.



FAX

- Fax the following to 021 931 4058
- First Name and Surname
- Contact telephone and fax number.
- Product Model number and Type.
- Traceability Code (found on the Warranty Card or on a label on the product)
- A clear and legible copy of your receipt.

Notes:

1. The online warranty system is a safe storage facility for your receipt.
2. You will be required to register on the Taurus website. You will receive a username and password once registered. This will give you access to your profile.
3. From your profile you will be able to load products that you have purchased. In order to successfully register your warranty you will need to either scan and upload, or fax through your receipt to us.
4. All instructions on how to load your products are available

inside your profile.

5. Please note that you must check that your receipt has been uploaded correctly. Creative Housewares cannot be held responsible for faxes or files not received.

6. For assistance with registration please email: marketing@creativehousewares.co.za.

NB: Your 1 year extended warranty is only valid if your product is registered online within the first year after purchasing your Taurus product. Failure to register your product on-line within the first year will render the extended warranty as void.

creative housewares

National Service Centre: 086 111 5006
e-mail: help@creativehousewares.co.za
www.creativehousewares.co.za

Cape Town

20 Tekstiel Street, Parow, Cape Town, 7493,
South Africa • P.O. Box 6156 Parow East, 7501,
South Africa Tel: +27 21 931 8117
Fax: +27 21 931 4058

Durban

35 Adrian Road, Windermere,
Durban, South Africa, 4001
Tel: +27 31 303 3465
Fax: +27 31 303 8259

Johannesburg

9 Hamburg Road, Aeroport, Spartan,
Johannesburg, South Africa
Tel: +27 11 392 5652
Fax: 086 567 9222

taurus

**2 JAAR
WAARBORG**
1 JAAR KLEINHANDELS
+ 1 JAAR UITGEBREID

taurusappliances.co.za
Registreer Aantlyn

Dankie vir die aankoop van 'n Taurus produk. Taurus waarborg dat u produk deeglik geïnspekteer en getoets word voordat dit versend word en is vry van meganiese en elektriese gebreke en voldoen aan die toepaslike veiligheidsstandaarde. Met elke Taurus produk wat gekoop word kry u 'n 2 jaar waarborg soos uiteengesit in die terme en voorwaardes hieronder.

Eerste Jaar - 1 Jaar Kleinhandelswaarborg:

Indien defekte as gevolg van foutiewe onderdele of vakmanskap binne 12 maande onder normale huishoudelike gebruik ontwikkel, binne die 12 maande vanaf die oorspronklike datum van aankoop, neem asseblief die produk na die winkel van waar dit gekoop is vir 'n terugbetaling of vervanging.

Tweede Jaar - 1 Jaar Uitgebreide Waarborg

Taurus is trots op die kwaliteit van die produk en bied dus 'n uitgebreide 12 maande waarborg bo en behalwe die 1 Jaar kleinhandelswaarborg. Indien defekte as gevolg van foutiewe materiaal of vakmanskap ontwikkel, onder normale huishoudelike gebruik, na die 12 maande tydperk en binne 24 maande vanaf die oorspronklike datum van aankoop, stuur die produk terug met posgeld betaal na Taurus vir herstel. Taurus sal die produk gratis herstel en dit direk aan u terugstuur. Taurus sal die produk vervang met 'n soortgelyke produk in dieselfde of beter toestand, as die herstel nie uitgevoer kan word vir watter rede ookal nie.

NB: Die 1 Jaar Uitgebreide waarborg is slegs geldig vir kliënte wat hul waarborg geregistreer het op ons webtuiste by www.taurusappliances.co.za binne die eerste jaar nadat hulle dit aangekoop het. Sien keersy vir besonderhede en instruksies.

Voordat u die produk terug stuur, maak seker van die volgende:

- U huishoudelike geleidingsok is in 'n goeie toestand, werk en aangeskakel is,
- Die geleidingsok is nie oorlaai nie (Wit uitskop skakelaar op u DB bord af is),
- U het die moeilikheid steuringsgids gelees in u instruksies vir gebruik,
- Alle bykomstighede en dele teenwoordig is.

Die volgende voorwaardes geld:

1. Maak seker dat u kwitansie behou is, dit moet aangebied word wanneer 'n eis gemaak word onder die voorwaardes van die waarborg. Dit is onmoontlik om die waarborg tydperk te bepaal sonder die bewys van aankoop, so hou dit asseblief in 'n veilige plek. (NB. U waarborg kan opgeskander word na die Taurus webtuiste vir veilige bewaring - sien keersy vir meer inligting.)
2. Indien 'n terugbetaling of omruiling van die produk nodig is moet die produk volledig wees met al die bykomstighede, onderdele en verpakking. Toebehore wat weg is sal die waarborg nietig maak.
3. Met ontvangs van u toestel, gaan dit na vir enige vervoer skade om te verseker dat dit veilig is vir gebruik. Stuur dit so gou as moontlik terug na die winkel om die beska-

digde toestel te vervang. Die waarborg is nietig indien die beskadigde produk gebruik word na die tyd, so moet asseblief nie die beskadigde produk gebruik nie.

4. U produk is ontwerp vir normale huishoudelike gebruik. Deur te versuim om die instruksies te lees en te voldoen aan die terme van gebruik, die skoonmaak en instandhouding van die produk maak u waarborg ongeldig, so lees asseblief hierdie instruksies versigtig om u veiligheid te verseker, en om die beste uit die gebruik van die produk te kry. (bv nie die verwydering van kalk skaal; water neerslag; insek besmetting, en / of verbrande produkte)
5. Enige misbruik, nalatige, onbehoorlike of toevallige beskadiging of sorg van die produk word die waarborg nietig en Creative Housewares (Pty) Ltd, sal nie aanspreeklik wees vir enige verlies of skade nie.
6. Enige poging tot herstel, of vervanging met ongemagtigde onderdele sal die waarborg nietig maak, so kontak 'n gemagtigde dienssentrum of diensagent vir enige diens of herstelwerk.
7. NB: Die waarborg op die vervangingsprodukt sal by die oorspronklike datum van aankoop bly en nie van die datum wanneer dit vervang is nie.
8. Alle herstelwerk dra 'n 3 maande waarborg selfs al val dit buite die 2-jaar waarborg tydperk.
9. Taurus sal probeer om die herstelwerk te doen binne 'n redelike tyd in lyn met die industrie standaarde, maar kan nie verantwoordelik gehou word of aanspreeklik wees vir enige omstandighede nie onder ons beheer nie.

Herstelwerk buite die waarborg tydperk

As diens of herstelwerk benodig word buite die waarborg tydperk, is hierdie diens steeds beskikbaar, maar is alle vervoer / posgeld, onderdele en arbeidskoste op die kliënte se onkoste. Alle betaalbare herstelwerk sal skriftelike aanvaarding van die kwotasie vereis van die kliënt. So dra Taurus die groen lig ontvang sal ons onderneem om die herstel binne 'n redelike tyd en in dieselfde toestand te hou as wat die produk ontvang is. Alle herstelwerk is gewaarborg vir 3 maande vanaf die datum van die herstel.

Vir enige diens, navrae en klagtes kontak ons kliënte diens op 086 111 5006 of e-pos help@creativehousewares.co.za vanaf 08h00 tot 15h00, Maandag tot Vrydag, openbare vakansiedae uitgesluit. Let asseblief ook daarop dat die maatskappy gewoonlik gesluit is vir 2 weke gedurende Kersfees en Nuwejaar.

Stuur asseblief alle produkte vir herstel met posgeld vooruit betaal aan een van die dienssentrums wat op die agterkant van hierdie bladsy verskyn.

AANLYN WAARBORG REGISTRASIE

Hoekom moet u die waarborg moet registreer?

Ons by Taurus is trots om premium gehalte toestelle op die mark te bring, en as 'n verbintenis tot die vlak van gehalte bied ons 'n 2 jaar waarborg (1 Jaar Kleinhandel + 1 Jaar Uitgebreide) op al ons produkte. Ons hoor dikwels dat ons kliënte hul kwitansies verloor en kan dus nie meer eis as hulle 'n probleem het nie. Om voordeel te trek van die 1 Jaar Uitgebreide waarborg sal u nodig hê om u waarborg aanlyn te registreer binne die eerste jaar van aankoop om 'n geldige eis te maak. Nou kan u die produk aanlyn registreer, laai u waarborg en hoef u nooit te bekommer dat u die kwitansie sal verloor nie en die voordeel van u 2-jaar waarborg geniet.

Bygevoegde Voordele

Bykomend tot die verskaffing van 'n aanlyn profiel van u geregistreerde produkte bied ons ook vele ander toegevoegde waarde voordele:

- aansporings en kompetisies vir geregistreerde gebruikers
- nuwe resepte of idees vir u produkte
- nuwe produk ontwikkelings - die eerste wees om die nuutste toestelle te kry
- spesiale aanbiedings op promosie-items

Hoe om u Aanlyn Waarborg te Registreer?

STAP 1 Skep u gebruikersprofiel:

As u dit nie reeds gedoen het nie, besoek www.taurusappliances.co.za, klik op die "Product Registration" skakel en volg die maklike instruksies. U sal 'n gebruikersnaam en wagwoord ontvang sodra u geregistreer het. Dit sal u toegang tot u profiel gee.

STAP 2 Kies 'n registrasie metode:



REKENAAR/ SKOOTREK- ENAAR

- Maak u internet snuffelgids oop en besoek www.taurusappliances.co.za
- Klik op die "Registrasie" skakel en teken in met u gebruikersnaam en wagwoord.
- Klik op "Register your products" en laai kwitansies en volg die maklike instruksies.
- Skandeer en laai u strokie



SMART- FOON / TABLET

- Skandeer die QR-kode bo of besoek www.taurusappliances.co.za
- Klik op die "Registration" skakel en teken aan met u verbruikersnaam en wagwoord.
- Klik op "Register your products" en laai u kwitansie en volg die maklike instruksies.
- Skandeer of neem 'n foto en laai u strokie.



FAKS

- Faks die volgende na 021 931 4058
- Naam en Van
- Kontak telefoon en faksnommer.
- Produk model nommer en tipe.
- Traceability Code (wat op die
- Waarborgkaart of op 'n etiket op die produk gevind kan word)
- 'n Duidelike en leesbare afskrif van u ontvangs.



taurusappliances.co.za

Notas:

1. Die aanlyn waarborg stelsel is 'n veilige stoor fasiliteit vir u strokies.
2. U sal gevra word om op die Taurus webtuiste te registreer. U sal 'n gebruikersnaam en wagwoord ontvang. Dit sal u toegang gee tot u profiel.
3. Van u profiel u sal in staat wees om produkte te laai wat u gekoop het. Om u waarborg suksesvol te registreer sal u nodig hê om of te skandeer en oplaai, of faks u strokie deur na ons.
4. Alle instruksies oor hoe om u produkte te laai is beskikbaar binne in u profiel.
5. Let daarop dat u moet seker maak dat u kwitansie korrek op-

gelaai is. Creative Housewares kan nie verantwoordelik gehou word vir faksse of lêers nie ontvang nie.
6. Vir hulp met registrasie e-pos asseblief: marketing@creative-housewares.co.za.

NB: U 1 jaar verlengde waarborg is slegs geldig indien u produk aanlyn geregistreer is binne die eerste jaar na die aankoop van u Taurus produk. Indien u produk nie aanlyn geregistreer word binne die eerste jaar nie sal dit die verlengde waarborg nietig maak.

creative housewares

Nasionale Dienssentrum: 086 111 5006
e-pos: help@creativehousewares.co.za
www.creativehousewares.co.za

Kaapstad

20 Tekstielstraat, Parow, Kaapstad, 7493, Suid Afrika • PO. Box 6156 Parow Oos, 7501, Suid Afrika Tel: +27 21 931 8117
Faks: +27 21 931 4058

Durban

35 Adrianweg, Windermere, Durban, Suid Afrika, 4001
Tel: +27 31 303 3465
Faks: +27 31 303 8259

Johannesburg

9 Hamburgweg, Aeroport, Spartan, Johannesburg, Suid Afrika
Tel: +27 11 392 5652
Faks: 086 567 9222

Durban
35 Adrain Road, Windermere,
Durban, South Africa, 4001
Tell: +27 31 303 3465
Fax: +27 31 303 8259

creative housewares
 20 Tekstiel St, Parow, Cape Town, 7493, RSA
 P.O. Box 6156 Parow East, 7501, RSA
 +27 21 931 8117  +27 21 931 4058
Service Centre Helpline: 086 111 5006
 www.creativehousewares.co.za

Johannesburg
Unit 25 & 26 San Croy Office Park
Die Agora Road, Croydon, 1619
Tell: +27 11 392 5652
Fax: +27 11 392 1694