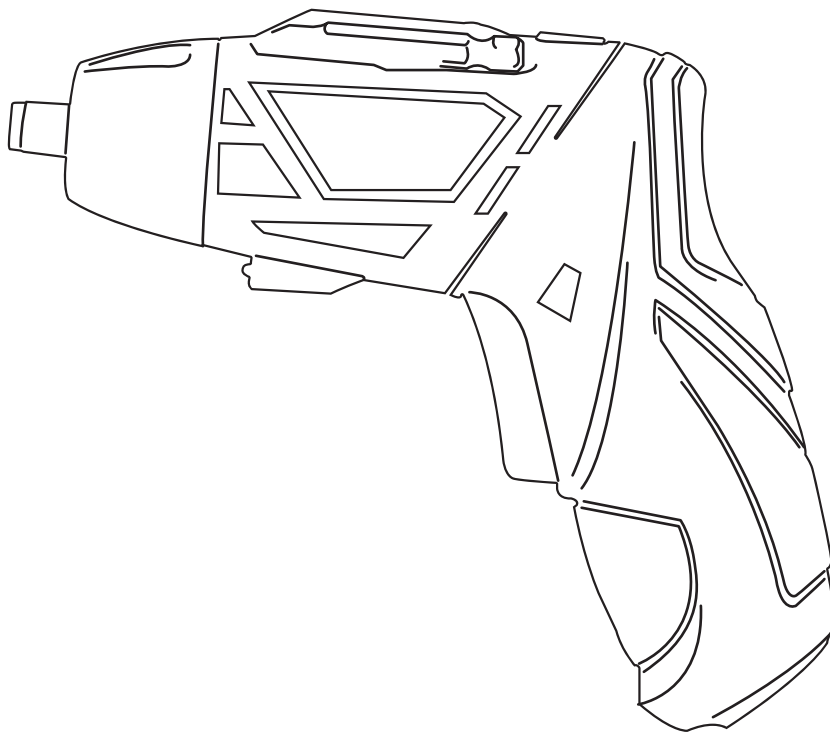
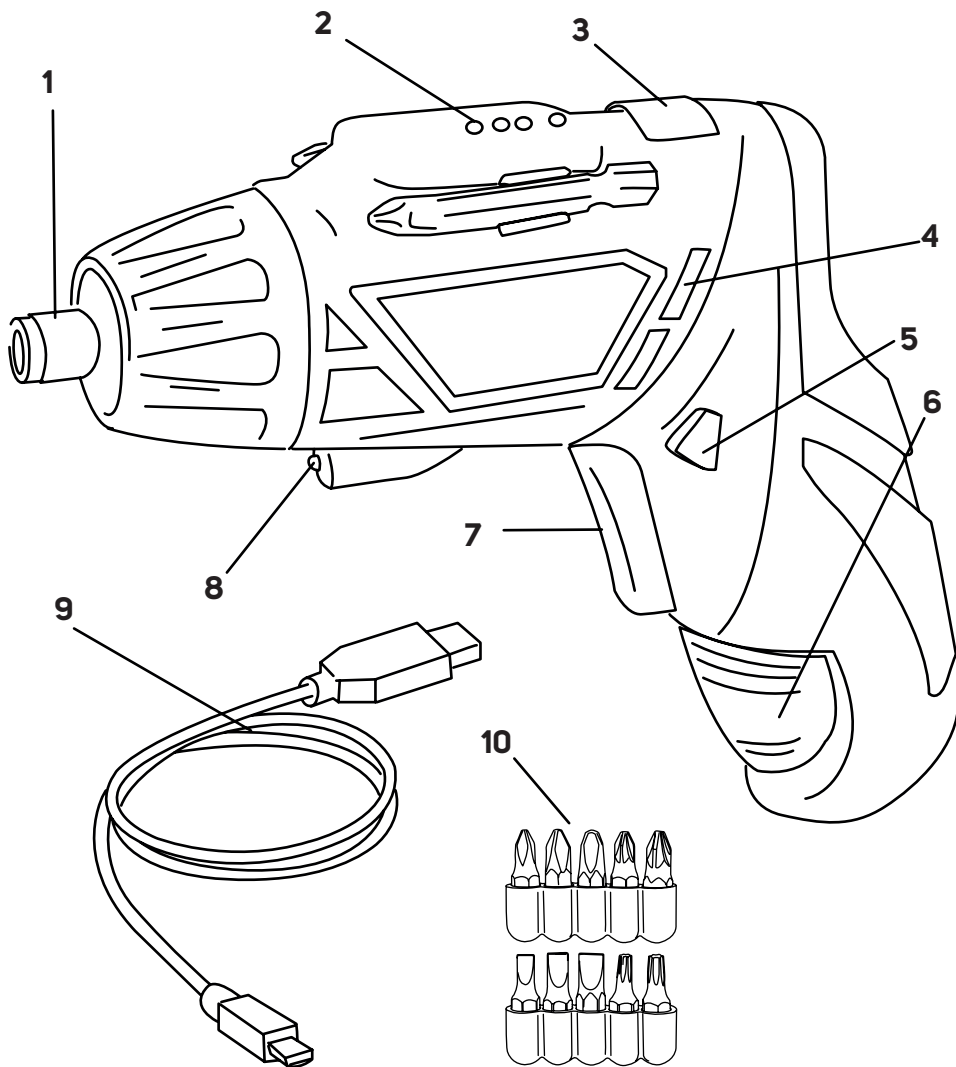


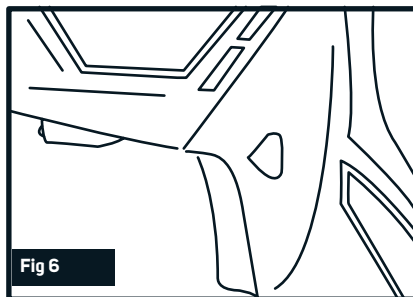
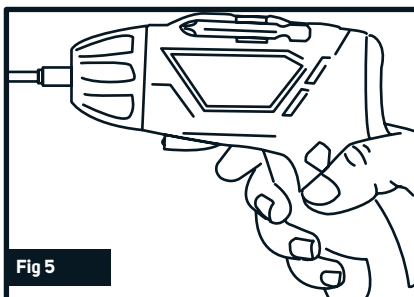
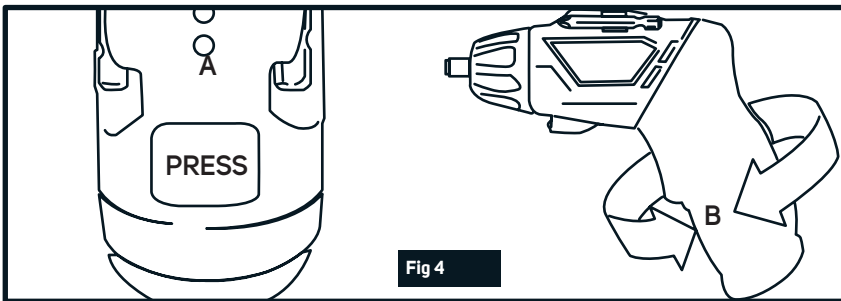
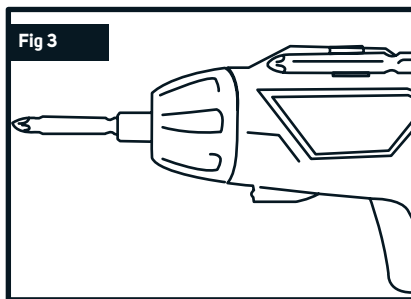
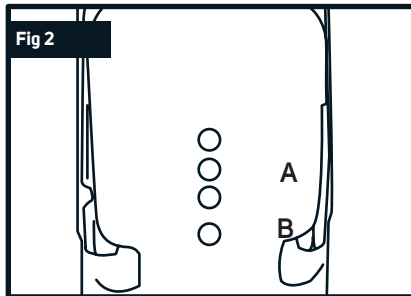
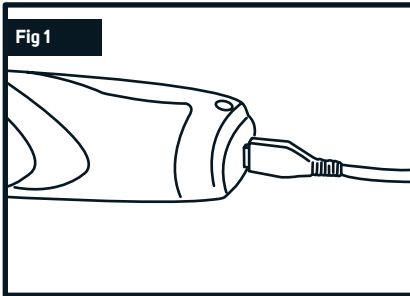


CSC36VA

CORDLESS SCREWDRIVER
DESTORNILLADOR INALÁMBRICO
TOURNEVIS SANS FIL
APARAFUSADORA SEM FIO







Cordless Screwdriver CSC36VA

Dear Customer, Many thanks for trusting to Casals. Thanks to its continuous effort, our innovation and the strictest quality controls, Casals develops electric Power Tools for the toughest jobs.

Description

1. Bit holder
2. Battery charge indicator lights
3. Rotating handle button
4. Air vents
5. Forward and reverse button (Rotational selector)
6. Rear handle
7. ON/OFF button
8. Front LED light
9. USB charging cable
10. Screwdriver bits

Safety advice and warnings

Read these instructions carefully before switching on the appliance and keep them for future reference. Failure to follow and observe these instructions could lead to an accident.

Working environment:

- Keep the working area clean and well lit. Cluttered and dark areas invite accidents.
- Keep children and bystanders away when using this appliance.
- Do not use the appliance in the vicinity of explosive atmospheres such as inflammable liquids, gases and dust. Appliances such as this can create sparks that may ignite these types of vapour or dust. - Do not place inflammable material near the appliance.
- CAUTION: To prevent overheating do not cover the appliance.
- Ensure that neither the air access nor exit become either totally or partially covered by drapery, clothing, etc., as this increases the risk of fire.

Electrical safety:

- Do not use the appliance if the cable or plug is damaged.
- Ensure that the voltage indicated on the rating label matches the mains voltage before plugging in the appliance.
- Avoid bodily contact with grounded surfaces such as pipes, radiators, electric cookers and refrigerators. There is an added risk of electrical shock if your body is in contact with the electric ground.

- The appliance's plug must fit into the mains socket properly. Do not alter the plug. Do not use plug adaptors.
- Do not leave the appliance out in the rain or exposed to moisture. If water gets into the appliance, this will increase the risk of electric shock.
- If any of the appliance casings breaks, immediately disconnect the appliance from the mains to prevent the possibility of an electric shock.
- Do not use the appliance if it has fallen on the floor if there are visible signs of damage or if it has a leak.
- CAUTION: Maintain the appliance dry.
- CAUTION: Do not use the appliance near water. - Do not use the appliance with damp hands or feet, or when barefooted.
- Do not force the power cord. Never use the power cord to lift up, carry or unplug the appliance.
- Check the state of the power cord. Damaged or tangled cables increase the risk of electric shock.
- Keep the appliance away from heat sources and sharp edges.
- Do not touch the plug with wet hands.

Personal safety:

- Keep any possible distractions far away from you when using the appliance as they may cause you to lose your concentration. Use common sense when operating the appliance. Do not use it when tired or under the effect of drugs, alcohol, or medication. A moment of inattention while operating this type of appliance may result in serious personal injury.
- Use safety equipment. Always wear eye protection. Safety equipment such as dust mask, non-skid safety shoes, hardhat, or hearing protection used for appropriate conditions will reduce personal injuries.
- Take the necessary measures to avoid starting the appliance involuntarily.
- Remove the tool fastening key(s) before starting up the appliance. A key or tool that is not well fastened to the appliance may cause accidents on start-up.
- Do not overreach. Always keep proper footing and balance. This will allow you to always maintain control of the appliance.
- Dress properly. Do not wear baggy or loose-hanging clothes or accessories. Keep your hair, clothing, and gloves away from moving parts. Loose clothes, jewellery or long hair can be caught in moving parts.



- Use clamps or a vise to secure the object to be worked in place. The work will be safer if both hands are free to control the tool.
- Do not touch any of the appliance's moving parts while it is operating.
- Protect yourself from contact with and the inhalation of dust created by sanding wood and metal surfaces and surfaces coated with lead paint. Use protective equipment that complies with the appropriate health and safety regulations.
- When working in amianthus/asbestos and/or silica stone, the dust produced is extremely harmful to your health. Wear protection against inhalation of this dust, in compliance with current regulations on accident prevention.
- Exercise precaution after employing the stop operation on the appliance as the tool will continue moving from the effect of its own mechanical inertia.
- When working take care to avoid electric wires and gas or water pipes to avoid an electric shock.

Use and care:

- Do not use the appliance if its accessories are not properly fitted.
- Do not use the appliance if the accessories or consumables attached to it are defective. Replace them immediately.
- Do not use the appliance if the on/off switch does not work.
- Do not force the appliance's work capacity. Use the correct power tool for each application. The correct power tool will do the job better and safer at the rate for which it was designed.
- Do not open the battery/ies under any circumstances whatsoever.
- When the battery/ies is not in use, keep it away from other metal objects like paper clips, coins, keys, screws ... that could connect a terminal to another.
- Do not short-circuit the battery terminals as this may cause an explosion or fire.
- The battery/ies should be stored at a temperature of below 40°C.
- Avoid all contact with the liquid that could be released from the battery. In case of contact with eyes, wash them thoroughly and seek medical advice. The liquid spilled from the battery may cause irritation or burns.
- This appliance is not a toy. Children should be supervised to ensure that they do not play with the appliance.
- This appliance is intended for adult use. Ensure that this product is not used by the disabled, children or people unused to its handling.
- This appliance should be stored out of reach of children and/or the disabled.

- Keep the appliance in a dry, dust-free place, out of direct sunlight.
- Keep the appliance in good condition. Check that the moving parts are not misaligned or jammed and make sure there are no broken parts or anomalies that may prevent the appliance from operating correctly.
- Keep the cutting tools sharp and clean.
- The appliance can be used on surfaces such as: wood, cardboard, plastic, plaster, etc.
- Do not use the appliance on any part of the body of a person or animal.
- Use the appliance and its accessories and tools in accordance with these instructions, considering the working conditions and the work to be performed. Use the appliance for operations different from those intended could result in a hazardous situation.
- Let the appliance running with no load for 30 seconds in a safe position. If you notice serious vibration or other defects stop the appliance immediately. Then check the problem and /or proceed as we describe on Anomalies and Repair clause.
- Recharge the battery/ies only with the charger supplied by the manufacturer. A charger that is suitable for one type of battery may cause explosion or fire hazard when used with other battery/ies.
- Use the device only with the battery/ies for which has been specifically designed. The use of any other battery/ies can cause an explosion or fire hazard.

Service:

- Make sure that the appliance is serviced only by specialist personnel, and that only original spare parts or accessories are used to replace existing parts/accessories.
- CAUTION: There is a risk of fire if the appliance's cleaning is not done according to these instructions.
- Any misuse or failure to follow the instructions for use renders the guarantee and the manufacturer's liability null and void.

Installation

Charging the battery (Fig 1)

- Caution: A new battery is not fully charged and must therefore be charged before the appliance is used for the first time.
- Caution: During the handling of batteries, do not touch both poles at the same time, as this will provoke the partial discharge of the stocked energy therefore affecting longevity.
- Charge the battery at an atmospheric temperature of between 4 and 40°C.
- Plug the charger jack (Fig 1) into the bottom of








the screwdriver handle. - Connect the USB input to a USB port.

- The red pilot light (Fig 2) will illuminate to indicate that the charger is charging the battery.
- Approximately 3 to 5 hours are needed for a complete charge of the battery. Never attempt to over charge the battery (although it is recommended that the first charge of the battery be of 5 hours in duration).

Charging indication:

The LED battery level indicator (Fig 2a) should be able to tell you the amount of charge that you have on the battery. For the indication press the button (Fig 2b)).

CHARGING		
•ON	Red light	Green light
Charger is connected to the mains		
The battery is charging		
Battery fully charged		

NB: Do not use the appliance while it is connected to the charger.

Instructions for use

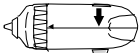
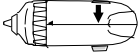
Before use:

- Make sure that all the product's packaging has been removed.
- Before using this product for the first time, it is important to make a full charge of batteries.

Screwing, unscrewing: (Fig 6)

- Insert the screwdriving bit or tool/accessory bit required for the job. To do so, fit the hexagonal male end into the hexagonal female socket on the bit holder (1) and press until it holds firmly.

See below diagram:

Rotation direction	Switch position (view from the top)
Charger is connected to the mains	
The battery is charging	

Inserting / clamping screwdriver bits

- As soon as the motor stops, the drive shaft automatically locks.

- Insert the desired bit into the chuck's hexagon socket (fig. 3).

Switch lock

- The ON/OFF switch can be locked in the OFF position. This feature can be used to prevent the possibility of accidental starting when not in use. To lock ON/OFF switch, place the direction of Fig 6 (rotation selector (Forward/Reverse Selector) in centre position.
- Note: When selector is in centre position, ON/OFF switch is locked.

Screwing

- Apply the power tool to the screw only when it is switched off. Rotating tool inserts can slip off.
- Place the point of the driver bit in the screw head and apply pressure to the tool. Start the tool slowly and then increase the speed gradually. Release the ON/OFF switch as soon as the clutch cuts in.
- Make sure that the driver bit is inserted straight in the screw head, or the screw and/or bit may be damaged.

Screwing into wood

- When screwing the screw on the edge of the wooden material you should predrill a pilot hole, which will reduce the likelihood of splitting. Use a drill with a diameter about 70% of the screw diameter.
- We recommend using self-centering screws designed for reliable working.
- Be sure to use a bit that matches the screw in shape and size.
- If screws are difficult to tighten, try applying a small amount of washing liquid or soap as a lubricant.

LED light

- When depressing the ON/OFF switch the LED light (8) serving for lighting the workplace in front of the tool clamped in the chuck, will go on automatically.

Adjusting the handle

- To change the positions, depress handle release button (Fig 4A) and swivel handle to desired position (Fig 4B).

Setting the rotation speed

- By pressing the ON/OFF switch (fig. 5) you can set the rotation speed during idle operation.
- The optimal rotation speed depends on the work piece, the operation mode, and the inserted accessory. Select the speed by applying a greater or lesser pressure to the ON/OFF switch.





Cleaning

- Allow it to cool before undertaking any cleaning task.
- Clean the equipment with a damp cloth with a few drops of washing-up liquid and then dry.
- Do not use solvents, or products with an acid or base pH such as bleach, or abrasive products, for cleaning the appliance.
- Do not let water or any other liquid get into the air vents to avoid damage to the inner parts of the appliance.
- Never submerge the appliance in water or any other liquid or place it under running water.
- If the appliance is not in good condition of cleanliness, its surface may degrade and inexorably affect the duration of the appliance's useful life and could become unsafe to use.

Supplies

- Always use original supplies, designed specifically for your appliance model.
- These supplies are available in specialist shops.

Anomalies and repair

- Take the appliance to an authorised technical support service if a product damage or other problems arise. Do not try to dismantle or repair without assistance, as this may be dangerous.
- If the connection to the mains has been damaged, it must be replaced and you should proceed as you would in the case of damage.

Recycling

- These electrical products, cables, batteries, packaging, and the manual, should not be mixed with general household waste. For proper recycling, please take these products to your nearest Creative Housewares office where they will be accepted for recycling free of charge.
- Alternatively, please contact your local authority or household waste disposal service for further details of your nearest designated collection point. Correct product disposal saves resources and prevents negative effects on human health and the environment.



Destornillador inalámbrico CSC36VA

Estimado cliente,
Muchas gracias por confiar en Casals. Gracias a su esfuerzo continuo, nuestra innovación y los más estrictos controles de calidad, Casals desarrolla herramientas eléctricas para los trabajos más duros.

Descripción

1. Portabrocas
2. Luces indicadoras de carga de la batería
3. Botón de mango giratorio
4. Rejillas de ventilación
5. Botón de avance y retroceso (selector giratorio)
6. Asa trasera
7. Botón de ENCENDIDO / APAGADO
8. Luz LED frontal
9. cable de carga USB
10. Puntas de destornillador

Advertencias y consejos de seguridad

Lea atentamente estas instrucciones antes de encender el aparato y consérvelas para consultarlas en el futuro. No seguir y observar estas instrucciones podría provocar un accidente.

Ambiente de trabajo:

- Mantenga el área de trabajo limpia y bien iluminada. Las áreas desordenadas y oscuras invitan a los accidentes.
- Mantenga alejados a los niños y transeúntes cuando utilice este aparato.
- No utilice el aparato cerca de atmósferas explosivas como líquidos, gases y polvos inflamables. Aparatos como este pueden crear chispas que pueden encender este tipo de vapor o polvo. - No coloque material inflamable cerca del aparato.
- PRECAUCIÓN: Para evitar el sobrecalentamiento, no cubra el aparato.
- Asegúrese de que ni el acceso ni la salida de aire queden cubiertos total o parcialmente por cortinas, ropa, etc., ya que esto aumenta el riesgo de incendio.

Seguridad ELECTRICA:

- No utilice el aparato si el cable o el enchufe están dañados.
- Asegúrese de que el voltaje indicado en la etiqueta de clasificación coincida con el voltaje de la red antes de enchufar el aparato.

- Evite el contacto corporal con superficies conectadas a tierra como tuberías, radiadores, cocinas eléctricas y refrigeradores. Existe un riesgo adicional de descarga eléctrica si su cuerpo está en contacto con la tierra eléctrica.

- El enchufe del aparato debe encajar correctamente en la toma de corriente. No altere el enchufe. No utilice adaptadores de enchufe.
- No deje el aparato bajo la lluvia o expuesto a la humedad. Si entra agua en el aparato, aumentará el riesgo de descarga eléctrica.
- Si alguna de las carcasas del aparato se rompe, desconecte inmediatamente el aparato de la red para evitar la posibilidad de una descarga eléctrica.

- No utilice el aparato si se ha caído al suelo, si hay signos visibles de daños o si tiene una fuga.

- PRECAUCIÓN: Mantenga el aparato seco.

- PRECAUCIÓN: No utilice el aparato cerca del agua. - No utilice el aparato con las manos o los pies húmedos, o descalzo.

- No fuerce el cable de alimentación. Nunca use el cable de alimentación para levantar, transportar o desenchufar el aparato.

- Verifique el estado del cable de alimentación. Los cables dañados o enredados aumentan el riesgo de descarga eléctrica.

- Mantenga el aparato alejado de fuentes de calor y bordes afilados.

- No toque el enchufe con las manos mojadas.

Seguridad personal:

- Mantenga las posibles distracciones lejos de usted cuando utilice el aparato, ya que pueden hacer que pierda la concentración. Use el sentido común al operar el aparato. No lo use cuando esté cansado o bajo el efecto de drogas, alcohol o medicamentos. Un momento de distracción mientras opera este tipo de aparato puede resultar en lesiones personales graves.

- Utilice equipo de seguridad. Utilice siempre protección para los ojos. El equipo de seguridad, como mascarilla antipolvo, calzado de seguridad antideslizante, casco o protección para los oídos utilizado en las condiciones adecuadas, reducirá las lesiones personales.

- Tomar las medidas necesarias para evitar la puesta en marcha involuntaria del aparato.

- Retire la (s) llave (s) de sujeción de la herramienta antes de poner en marcha el aparato. Una llave o herramienta que no esté bien sujeta al aparato puede provocar accidentes durante la puesta en



marcha.

- No se extralimite. Mantenga siempre el equilibrio y el equilibrio adecuados. Esto le permitirá mantener siempre el control del aparato.
- Vístete apropiadamente. No use ropa o accesorios holgados o sueltos. Mantenga su cabello, ropa y guantes alejados de las piezas móviles. La ropa holgada, las joyas o el cabello largo pueden quedar atrapados en las piezas móviles.
- Utilice abrazaderas o un tornillo de banco para asegurar el objeto a trabajar en su lugar. El trabajo será más seguro si ambas manos están libres para controlar la herramienta.
- No toque ninguna de las partes móviles del aparato mientras esté en funcionamiento.
- Protéjase del contacto y la inhalación de polvo creado por el lijado de superficies de madera y metal y superficies recubiertas con pintura con plomo. Use equipo de protección que cumpla con las regulaciones de salud y seguridad apropiadas.
- Al trabajar con amianthus / asbesto y / o piedra de sílice, el polvo producido es extremadamente perjudicial para su salud. Llevar protección contra la inhalación de este polvo, de acuerdo con la normativa vigente sobre prevención de accidentes.
- Proceda con precaución después de emplear la operación de parada en el aparato, ya que la herramienta continuará moviéndose por efecto de su propia inercia mecánica. - Cuando trabaje, tenga cuidado de evitar cables eléctricos y tuberías de gas o agua para evitar una descarga eléctrica.

Uso y cuidado:

- No utilice el aparato si sus accesorios no están correctamente colocados.
- No utilice el aparato si los accesorios o consumibles adjuntos están defectuosos. Reemplácelos inmediatamente.
- No utilice el aparato si el interruptor de encendido / apagado no funciona.
- No fuerce la capacidad de trabajo del aparato. Utilice la herramienta eléctrica adecuada para cada aplicación. La herramienta eléctrica correcta hará el trabajo mejor y con mayor seguridad a la velocidad para la que fue diseñada.
- No abra la (s) batería (s) bajo ninguna circunstancia.
- Cuando la / s batería / s no esté en uso, manténgala alejada de otros objetos metálicos como clips, monedas, llaves, tornillos ... que puedan conectar un terminal a otro.
- No provoque un cortocircuito en los terminales de la batería, ya que podría provocar una explosión o un incendio.
- La (s) batería (s) deben almacenarse a una temperatura inferior a 40°C.
- Evite todo contacto con el líquido que pueda

desprenderse de la batería. En caso de contacto con los ojos, lávelos minuciosamente y busque atención médica. El líquido derramado de la batería puede causar irritación o quemaduras.

- Este aparato no es un juguete. Los niños deben ser supervisados para asegurarse de que no jueguen con el aparato.
- Este aparato está diseñado para uso de adultos. Asegúrese de que este producto no sea utilizado por discapacitados, niños o personas no acostumbradas a su manipulación.
- Este aparato debe guardarse fuera del alcance de los niños y / o discapacitados.
- Mantenga el aparato en un lugar seco y sin polvo, alejado de la luz solar directa.
- Mantenga el aparato en buen estado. Compruebe que las piezas móviles no estén desalineadas o atascadas y asegúrese de que no haya piezas rotas o anomalías que puedan impedir que el aparato funcione correctamente.
- Mantenga las herramientas de corte afiladas y limpias.
- El aparato se puede utilizar sobre superficies como: madera, cartón, plástico, yeso, etc.
- No utilice el aparato en ninguna parte del cuerpo de una persona o animal.
- Utilizar el aparato y sus accesorios y herramientas de acuerdo con estas instrucciones, considerando las condiciones de trabajo y el trabajo a realizar. Usar el aparato para operaciones diferentes a las previstas podría resultar en una situación peligrosa.
- Deje que el aparato funcione sin carga durante 30 segundos en una posición segura. Si nota vibraciones graves u otros defectos, detenga el aparato inmediatamente. Luego verifique el problema y / o proceda como describimos en la cláusula de Anomalías y Reparación.
- Recargue la (s) batería (s) únicamente con el cargador suministrado por el fabricante. Un cargador que sea adecuado para un tipo de batería puede causar peligro de explosión o incendio cuando se usa con otras baterías.
- Utilice el dispositivo solo con las baterías para las que ha sido diseñado específicamente. El uso de cualquier otra batería puede provocar una explosión o peligro de incendio.

Servicio:

- Asegúrese de que el aparato sea reparado únicamente por personal especializado y que solo se utilicen repuestos o accesorios originales para reemplazar las piezas / accesorios existentes.
- PRECAUCIÓN: Existe riesgo de incendio si la limpieza del aparato no se realiza de acuerdo con estas instrucciones.
- Cualquier mal uso o incumplimiento de las in-





strucciones de uso anula la garantía y la responsabilidad del fabricante.

Instalación

Cargando la batería (Fig 1)

- Precaución: una batería nueva no está completamente cargada y, por lo tanto, debe cargarse antes de utilizar el aparato por primera vez.
- Precaución: Durante el manejo de las baterías, no toque ambos polos al mismo tiempo, ya que esto provocará la descarga parcial de la energía almacenada y afectará la longevidad.
- Cargue la batería a una temperatura atmosférica de entre 4 y 40°C.
- Enchufe el conector del cargador (Fig. 1) en la parte inferior del mango del destornillador. - Conecte la entrada USB a un puerto USB.
- La luz piloto roja (Fig. 2) se iluminará para indicar que el cargador está cargando la batería.
- Se necesitan aproximadamente de 3 a 5 horas para una carga completa de la batería. Nunca intente sobrecargar la batería (aunque se recomienda que la primera carga de la batería sea de 5 horas de duración).

Indicación de carga:

El indicador LED de nivel de batería (Fig. 2a) debería poder indicarle la cantidad de carga que tiene en la batería. Para la indicación presione el botón (Fig 2b)).

CARGANDO		
•ON	luz roja	Luz verde
El cargador está conectado a la red		
La batería se está cargando		
Batería completamente cargada		

NB: No utilice el aparato mientras esté conectado al cargador.

Instrucciones de uso.

Antes de usar:

- Asegúrese de que se haya retirado todo el embalaje del producto.
- Antes de utilizar este producto por primera vez, es importante realizar una carga completa de las baterías.

Atornillar, desenroscar: (Fig 6)

- Inserte la broca atornilladora o la herramienta / broca accesoria necesaria para el trabajo. Para

ello, coloque el extremo macho hexagonal en el casquillo hembra hexagonal del portapuntas (1) y presione hasta que se sujete firmemente.

Vea el diagrama a continuación:

Sentido de rotación	Posición del interruptor (vista desde arriba)
Right-rotation(forward/ tighteningthescrews)	
Left rotation(backward/ looseningthescrews)	

Insertar / sujetar puntas de destornillador

- Tan pronto como el motor se detiene, el eje de transmisión se bloquea automáticamente.
- Inserte la broca deseada en el casquillo hexagonal del portabrocas (fig. 3).

Bloqueo del interruptor

- El interruptor de ENCENDIDO / APAGADO se puede bloquear en la posición de APAGADO. Esta función se puede utilizar para evitar la posibilidad de un arranque accidental cuando no esté en uso. Para bloquear el interruptor de ENCENDIDO / APAGADO, coloque la dirección de la Fig 6 (selector de rotación (selector de avance / retroceso) en la posición central.
- Nota: Cuando el selector está en la posición central, el interruptor de ENCENDIDO / APAGADO está bloqueado.

Atornillar

- Aplique la herramienta eléctrica al tornillo solo cuando esté apagado. Los insertos de herramientas giratorias pueden deslizarse.
- Coloque la punta del destornillador en la cabeza del tornillo y aplique presión sobre la herramienta. Encienda la herramienta lentamente y luego aumente la velocidad gradualmente. Suelte el interruptor de ENCENDIDO / APAGADO tan pronto como se active el embrague.
- Asegúrese de que la broca de destornillador esté insertada en línea recta en la cabeza del tornillo, o el tornillo y / o la broca podrían dañarse.

Atornillar en madera

- Al atornillar el tornillo en el borde del material de madera, debe perforar previamente un orificio piloto, lo que reducirá la probabilidad de que se parta. Utilice un taladro con un diámetro de aproximadamente el 70% del diámetro del tornillo.
- Recomendamos utilizar tornillos autocentrantes diseñados para un trabajo fiable.
- Asegúrese de utilizar una broca que coincida con la forma y el tamaño del tornillo.





- Si los tornillos son difíciles de apretar, intente aplicar una pequeña cantidad de detergente líquido o jabón como lubricante.

Luz LED

- Al presionar el interruptor de ENCENDIDO / APAGADO, la luz LED (8) que sirve para iluminar el lugar de trabajo frente a la herramienta sujeta en el portabrocas, se encenderá automáticamente. Ajuste de la manija

- Para cambiar las posiciones, presione el botón de liberación de la manija (Fig 4A) y gire la manija a la posición deseada (Fig 4B).

Configuración de la velocidad de rotación

- Pulsando el interruptor de ENCENDIDO / APAGADO (fig. 5) puede configurar la velocidad de rotación durante el funcionamiento en ralentí.

- La velocidad de rotación óptima depende de la pieza de trabajo, el modo de funcionamiento y el accesorio insertado. Seleccione la velocidad aplicando una presión mayor o menor al interruptor de ENCENDIDO / APAGADO

Limpieza

- Deje que se enfríe antes de realizar cualquier tarea de limpieza.

- Limpiar el equipo con un paño húmedo con unas gotas de lavavajillas y luego secar.

- No utilice disolventes o productos con pH ácido o básico como lejía o productos abrasivos para limpiar el aparato.

- No permita que entre agua ni ningún otro líquido en las salidas de aire para evitar daños en las partes internas del aparato.

- Nunca sumerja el aparato en agua o cualquier otro líquido ni lo coloque bajo el chorro de agua.

- Si el electrodoméstico no está en buenas condiciones de limpieza, su superficie puede degradarse y afectar inexorablemente la duración de la vida útil del electrodoméstico y su uso podría resultar inseguro.

Suministros

- Utilice siempre consumibles originales, diseñados específicamente para su modelo de electrodoméstico.

- Estos suministros están disponibles en tiendas especializadas.

Anomalías y reparación

- Lleve el aparato a un servicio de asistencia técnica autorizado si se daña el producto o surgen otros problemas. No intente desmontar o reparar sin ayuda, ya que esto puede ser peligroso.

- Si la conexión a la red ha sido dañada, debe ser reemplazada y debe proceder como lo haría en caso de avería.

Reciclaje

- Estos productos eléctricos, cables, baterías, embalajes y el manual no deben mezclarse con la basura doméstica general. Para un reciclaje adecuado, lleve estos productos a la oficina de Creative Housewares más cercana, donde serán aceptados para reciclaje sin cargo.

- Alternativamente, comuníquese con su autoridad local o con el servicio de eliminación de residuos domésticos para obtener más detalles sobre el punto de recolección designado más cercano. La eliminación correcta del producto ahorra recursos y evita efectos negativos en la salud humana y el medio ambiente.



Tournevis sans fil CSC36VA

Merci beaucoup d'avoir fait confiance à Casals. Grâce à ses efforts continus, à notre innovation et aux contrôles de qualité les plus stricts, Casals développe des outils électriques pour les travaux les plus difficiles.

La description

1. Porte-embout
2. Voyants de charge de la batterie
3. Bouton de la poignée rotative
4. Bouches d'aération
5. Bouton avant et arrière (sélecteur rotatif)
6. Poignée arrière
7. Bouton ON / OFF
8. Lumière LED avant
9. Câble de chargement USB
10. Embouts de tournevis

Conseils de sécurité et avertissements

Lisez attentivement ces instructions avant d'allumer l'appareil et conservez-les pour référence ultérieure. Le non-respect de ces instructions peut entraîner un accident.

Environnement de travail:

- Gardez la zone de travail propre et bien éclairée. Les zones encombrées et sombres invitent aux accidents.
- Tenez les enfants et les spectateurs éloignés lors de l'utilisation de cet appareil.
- N'utilisez pas l'appareil à proximité d'atmosphères explosives telles que des liquides inflammables, des gaz et des poussières. Des appareils comme celui-ci peuvent créer des étincelles qui peuvent enflammer ces types de vapeur ou de poussière. - Ne placez pas de matériaux inflammables à proximité de l'appareil.
- ATTENTION: pour éviter la surchauffe, ne couvrez pas l'appareil.
- Veillez à ce que ni l'accès ni la sortie d'air ne soient totalement ou partiellement couverts par des draperies, des vêtements, etc., car cela augmente le risque d'incendie.

Sécurité électrique:

- N'utilisez pas l'appareil si le câble ou la fiche sont endommagés.
- Assurez-vous que la tension indiquée sur la plaque signalétique correspond à la tension du

secteur avant de brancher l'appareil.

- Évitez tout contact corporel avec les surfaces mises à la terre telles que les tuyaux, les radiateurs, les cuisinières électriques et les réfrigérateurs. Il existe un risque supplémentaire de choc électrique si votre corps est en contact avec la terre électrique.
- La fiche de l'appareil doit s'insérer correctement dans la prise de courant. Ne modifiez pas la fiche. N'utilisez pas d'adaptateurs de prise.
- Ne laissez pas l'appareil à l'extérieur sous la pluie ou exposé à l'humidité. Si de l'eau pénètre dans l'appareil, cela augmentera le risque de choc électrique.
- Si l'un des boîtiers de l'appareil casse, débranchez immédiatement l'appareil du secteur pour éviter tout risque d'électrocution.
- N'utilisez pas l'appareil s'il est tombé sur le sol s'il y a des signes visibles de dommages ou s'il présente une fuite.
- ATTENTION: Maintenez l'appareil au sec.
- ATTENTION: n'utilisez pas l'appareil à proximité de l'eau. - N'utilisez pas l'appareil avec les mains ou les pieds humides, ou pieds nus.
- Ne forcez pas le cordon d'alimentation. N'utilisez jamais le cordon d'alimentation pour soulever, transporter ou débrancher l'appareil.
- Vérifiez l'état du cordon d'alimentation. Les câbles endommagés ou emmêlés augmentent le risque de choc électrique.
- Tenez l'appareil éloigné des sources de chaleur et des arêtes vives.
- Ne touchez pas la fiche avec les mains mouillées.

Sécurité personnelle:

- Gardez toutes les distractions possibles loin de vous lorsque vous utilisez l'appareil car elles peuvent vous faire perdre votre concentration. Faites preuve de bon sens lors de l'utilisation de l'appareil. Ne l'utilisez pas en cas de fatigue ou sous l'effet de drogues, d'alcool ou de médicaments. Un moment d'inattention lors de l'utilisation de ce type d'appareil peut entraîner des blessures graves.
- Utilisez un équipement de sécurité. Portez toujours des lunettes de protection. Un équipement de sécurité tel qu'un masque anti-poussière, des chaussures de sécurité antidérapantes, un casque ou une protection auditive utilisé dans des conditions appropriées réduira les blessures corporelles.
- Prenez les mesures nécessaires pour éviter de démarrer l'appareil involontairement.



- Retirez la (les) clé (s) de fixation de l'outil avant de mettre l'appareil en marche. Une clé ou un outil mal fixé à l'appareil peut provoquer des accidents au démarrage.
- N'en faites pas trop. Gardez toujours une bonne position et un bon équilibre. Cela vous permettra de toujours garder le contrôle de l'appareil.
- Habillez-vous correctement. Ne portez pas de vêtements ou d'accessoires amples ou amples. Gardez vos cheveux, vêtements et gants éloignés des pièces mobiles. Les vêtements amples, les bijoux ou les cheveux longs peuvent être pris dans les pièces mobiles.
- Utilisez des pinces ou un étau pour fixer l'objet à travailler en place. Le travail sera plus sûr si les deux mains sont libres de contrôler l'outil.
- Ne touchez aucune des pièces mobiles de l'appareil pendant son fonctionnement.
- Protégez-vous du contact et de l'inhalation des poussières créées par le ponçage des surfaces en bois et en métal et des surfaces enduites de peinture au plomb. Utilisez un équipement de protection conforme aux réglementations appropriées en matière de santé et de sécurité.
- Lorsque vous travaillez dans l'amianthus / amiante et / ou pierre de silice, la poussière produite est extrêmement nocive pour votre santé. Porter une protection contre l'inhalation de cette poussière, conformément à la réglementation en vigueur en matière de prévention des accidents.
- Faites preuve de prudence après avoir utilisé l'opération d'arrêt sur l'appareil car l'outil continuera à se déplacer sous l'effet de sa propre inertie mécanique. - Lorsque vous travaillez, veillez à éviter les fils électriques et les conduites de gaz ou d'eau pour éviter un choc électrique.

Utilisation et entretien:

- N'utilisez pas l'appareil si ses accessoires ne sont pas correctement installés.
- N'utilisez pas l'appareil si les accessoires ou consommables qui y sont attachés sont défectueux. Remplacez-les immédiatement.
- N'utilisez pas l'appareil si l'interrupteur marche / arrêt ne fonctionne pas.
- Ne forcez pas la capacité de travail de l'appareil. Utilisez l'outil électrique approprié pour chaque application. L'outil électrique approprié fera le travail mieux et plus sûrement à la vitesse pour laquelle il a été conçu.
- N'ouvrez en aucun cas la / les batterie (s).
- Lorsque la ou les piles ne sont pas utilisées, éloignez-la des autres objets métalliques tels que trombones, pièces de monnaie, clés, vis ... qui pourraient connecter un terminal à un autre.
- Ne court-circuitez pas les bornes de la batterie car cela pourrait provoquer une explosion ou un

incendie.

- La / les batterie (s) doivent être stockées à une température inférieure à 40 ° C.
- Évitez tout contact avec le liquide qui pourrait s'échapper de la batterie. En cas de contact avec les yeux, lavez-les soigneusement et consultez un médecin. Le liquide renversé par la batterie peut provoquer une irritation ou des brûlures.
- Cet appareil n'est pas un jouet. Les enfants doivent être surveillés pour s'assurer qu'ils ne jouent pas avec l'appareil.
- Cet appareil est destiné à un usage adulte. Assurez-vous que ce produit n'est pas utilisé par des personnes handicapées, des enfants ou des personnes inutilisées pour sa manipulation.
- Cet appareil doit être rangé hors de portée des enfants et / ou des personnes handicapées.
- Conservez l'appareil dans un endroit sec, sans poussière, à l'abri de la lumière directe du soleil.
- Gardez l'appareil en bon état. Vérifiez que les pièces mobiles ne sont pas mal alignées ou coincées et assurez-vous qu'il n'y a pas de pièces cassées ou d'anomalies qui pourraient empêcher l'appareil de fonctionner correctement.
- Gardez les outils de coupe affûtés et propres.
- L'appareil peut être utilisé sur des surfaces telles que: bois, carton, plastique, plâtre, etc.
- N'utilisez l'appareil sur aucune partie du corps d'une personne ou d'un animal.
- Utiliser l'appareil et ses accessoires et outils conformément à ces instructions, en tenant compte des conditions de travail et des travaux à effectuer. Utiliser l'appareil pour des opérations différentes de celles prévues pourrait entraîner une situation dangereuse.
- Laisser l'appareil fonctionner à vide pendant 30 secondes dans une position sûre. Si vous remarquez de graves vibrations ou d'autres défauts, arrêtez immédiatement l'appareil. Vérifiez ensuite le problème et / ou procédez comme nous le décrivons dans la clause Anomalies and Repair.
- Rechargez la / les batterie (s) uniquement avec le chargeur fourni par le fabricant. Un chargeur adapté à un type de batterie peut provoquer une explosion ou un incendie lorsqu'il est utilisé avec d'autres batteries.
- N'utilisez l'appareil qu'avec la / les batterie (s) spécialement conçue (s). L'utilisation de toute autre batterie peut entraîner un risque d'explosion ou d'incendie.

Le service:

- Assurez-vous que l'appareil n'est entretenu que par du personnel spécialisé et que seules des pièces de rechange ou des accessoires d'origine sont utilisés pour remplacer les pièces / accessoires existants.





- ATTENTION: Il existe un risque d'incendie si le nettoyage de l'appareil n'est pas effectué conformément à ces instructions.
- Toute mauvaise utilisation ou non-respect des instructions d'utilisation rend la garantie et la responsabilité du fabricant nulles et non avenues.

Installation

Chargement de la batterie (Fig 1)

- Attention: une nouvelle batterie n'est pas complètement chargée et doit donc être chargée avant la première utilisation de l'appareil.
- Attention: lors de la manipulation des batteries, ne touchez pas les deux pôles en même temps, car cela provoquerait une décharge partielle de l'énergie stockée affectant ainsi la longévité.
- Chargez la batterie à une température atmosphérique comprise entre 4 et 40 ° C.
- Branchez la prise du chargeur (Fig 1) dans le bas de la poignée du tournevis. - Connectez l'entrée USB à un port USB.
- Le voyant rouge (Fig 2) s'allumera pour indiquer que le chargeur charge la batterie.
- Environ 3 à 5 heures sont nécessaires pour une charge complète de la batterie. N'essayez jamais de surcharger la batterie (bien qu'il soit recommandé que la première charge de la batterie dure 5 heures).

Indication de charge:

L'indicateur LED de niveau de batterie (Fig 2a) devrait être en mesure de vous indiquer la quantité de charge que vous avez sur la batterie. Pour l'indication, appuyez sur le bouton (Fig 2b).

MISE EN CHARGE		
•ON	Lumière rouge	Lumière verte
Le chargeur est connecté au secteur		
La batterie se recharge		
Batterie complètement charge		

NB: N'utilisez pas l'appareil lorsqu'il est connecté au chargeur.

Mode d'emploi

Avant utilisation:

- Assurez-vous que tous les emballages du produit ont été retirés.
- Avant d'utiliser ce produit pour la première fois, il est important d'effectuer une charge complète des

batteries.

Vissage, dévissage: (Fig 6)

- Insérez l'embout de vissage ou l'outil / embout accessoire requis pour le travail. Pour ce faire, insérez l'extrémité mâle hexagonale dans la douille femelle hexagonale du porte-embout (1) et appuyez jusqu'à ce qu'elle soit fermement maintenue.

Voir le diagramme ci-dessous:

Sens de rotation	Position du commutateur (vue du dessus)
Charger is connected to the mains	
The battery is charging	

Insertion / serrage des embouts de tournevis

- Dès que le moteur s'arrête, l'arbre d'entraînement se bloque automatiquement.
- Insérez la mèche souhaitée dans la douille hexagonale du mandrin (fig. 3).

Verrouillage de l'interrupteur

- L'interrupteur ON / OFF peut être verrouillé en position OFF. Cette fonction peut être utilisée pour éviter la possibilité d'un démarrage accidentel lorsqu'il n'est pas utilisé. Pour verrouiller l'interrupteur MARCHE / ARRÊT, placez le sens de la Fig 6 (sélecteur de rotation (sélecteur avant / arrière) en position centrale.

- Remarque: lorsque le sélecteur est en position centrale, l'interrupteur MARCHE / ARRÊT est verrouillé.

Baise

- Appliquer l'outil électroportatif sur la vis uniquement lorsqu'il est éteint. Les inserts d'outils rotatifs peuvent glisser.

- Placer la pointe du foret dans la tête de vis et appliquer une pression sur l'outil. Démarrez l'outil lentement, puis augmentez progressivement la vitesse. Relâchez l'interrupteur MARCHE / ARRÊT dès que l'embrayage s'enclenche.

- Assurez-vous que l'embout de tournevis est inséré bien droit dans la tête de la vis, sinon la vis et / ou l'embout pourraient être endommagés.

Vissage dans le bois

- Lors du vissage de la vis sur le bord du matériau en bois, vous devez pré-percer un trou pilote, ce qui réduira le risque de fissuration. Utilisez une perceuse d'un diamètre d'environ 70% du diamètre de la vis.





- Nous vous recommandons d'utiliser des vis auto-centrantes conçues pour un travail fiable.
- Veillez à utiliser un embout correspondant à la forme et à la taille de la vis.
- Si les vis sont difficiles à serrer, essayez d'appliquer une petite quantité de liquide de lavage ou de savon comme lubrifiant.

Lumière LED

- En appuyant sur l'interrupteur ON / OFF, la lumière LED (8) servant à éclairer le poste de travail devant l'outil serré dans le mandrin, s'allumera automatiquement.

Réglage de la poignée

- Pour changer les positions, appuyez sur le bouton de déverrouillage de la poignée (Fig 4A) et faites pivoter la poignée dans la position souhaitée (Fig 4B).

Réglage de la vitesse de rotation

- En appuyant sur l'interrupteur MARCHÉ / ARRÊT (fig. 5), vous pouvez régler la vitesse de rotation pendant le fonctionnement au ralenti.
- La vitesse de rotation optimale dépend de la pièce à usiner, du mode de fonctionnement et de l'accessoire inséré. Sélectionnez la vitesse en appliquant une pression plus ou moins grande sur l'interrupteur MARCHÉ / ARRÊT.

Nettoyage

- Laissez-le refroidir avant d'entreprendre toute tâche de nettoyage.
- Nettoyez le matériel avec un chiffon humide avec quelques gouttes de liquide vaisselle, puis séchez.
- N'utilisez pas de solvants ou de produits à pH acide ou basique tels que l'eau de Javel ou des produits abrasifs pour nettoyer l'appareil.
- Ne laissez pas l'eau ou tout autre liquide pénétrer dans les orifices d'aération pour éviter d'endommager les parties internes de l'appareil.
- Ne plongez jamais l'appareil dans l'eau ou tout autre liquide et ne le placez jamais sous l'eau courante.
- Si l'appareil n'est pas en bon état de propreté, sa surface peut se dégrader et affecter inexorablement la durée de vie utile de l'appareil et devenir dangereux à utiliser.

Fournitures

- Utilisez toujours des fournitures d'origine, conçues spécifiquement pour votre modèle d'appareil.
- Ces fournitures sont disponibles dans les magasins spécialisés.

Anomalies et réparation

- Apportez l'appareil à un service d'assistance technique agréé si un produit est endommagé ou

si d'autres problèmes surviennent. N'essayez pas de démonter ou de réparer sans assistance, car cela peut être dangereux.

- Si la connexion au secteur a été endommagée, elle doit être remplacée et vous devez procéder comme vous le feriez en cas de dommage.

Recyclage

- Ces produits électriques, câbles, batteries, emballages et le manuel ne doivent pas être mélangés avec les déchets ménagers généraux. Pour un recyclage correct, veuillez apporter ces produits au bureau Creative Housewares le plus proche où ils seront acceptés pour recyclage gratuitement.
- Sinon, veuillez contacter votre autorité locale ou le service d'élimination des déchets ménagers pour plus de détails sur le point de collecte désigné le plus proche. Une élimination correcte des produits permet d'économiser des ressources et de prévenir les effets négatifs sur la santé humaine et l'environnement.



Aparafusadora sem fio CSC36VA

Estimado cliente,
Muito obrigado por confiar em Casals. Graças ao seu esforço contínuo, nossa inovação e os mais rígidos controles de qualidade, Casals desenvolve ferramentas elétricas para os trabalhos mais difíceis.

Descrição

1. Porta-bits
2. Luzes indicadoras de carga da bateria
3. Botão de manopla giratória
4. Ventiladores de ar
5. Botão Avançar e retroceder (seletor rotativo)
6. Alça traseira
7. Botão ON / OFF
8. Luz LED frontal
9. Cabo de carregamento USB
10. Brocas de chave de fenda

Conselhos e avisos de segurança

Leia atentamente estas instruções antes de ligar o aparelho e guarde-as para consultas futuras. O não cumprimento e não cumprimento destas instruções pode causar um acidente.

Ambiente de trabalho:

- Mantenha a área de trabalho limpa e bem iluminada. Áreas desordenadas e escuras são um convite a acidentes.
- Mantenha crianças e espectadores afastados quando usar este aparelho.
- Não utilize o aparelho nas proximidades de atmosferas explosivas, como líquidos inflamáveis, gases e poeiras. Eletrodomésticos como este podem criar faíscas que podem inflamar esses tipos de vapor ou poeira. - Não coloque materiais inflamáveis perto do aparelho.
- CUIDADO: Para evitar superaquecimento, não cubra o aparelho.
- Certifique-se de que nem o acesso nem a saída de ar fiquem total ou parcialmente cobertos por cortinas, roupas, etc., pois isso aumenta o risco de incêndio.

Segurança elétrica:

- Não utilize o aparelho se o cabo ou a ficha estiverem danificados.
- Certifique-se de que a voltagem indicada na etiqueta de classificação corresponde à voltagem da rede antes de conectar o aparelho.

- Evite o contato corporal com superfícies aterradas, como canos, radiadores, fogões elétricos e geladeiras. Existe um risco adicional de choque elétrico se o seu corpo estiver em contato com o aterramento elétrico.

- O plugue do aparelho deve se encaixar corretamente na tomada. Não altere o plugue. Não use adaptadores de plugue.
- Não deixe o aparelho exposto à chuva ou exposto à umidade. Se entrar água no aparelho, isso aumentará o risco de choque elétrico.
- Se alguma das estruturas do aparelho se partir, desligue imediatamente o aparelho da corrente para evitar a possibilidade de um choque elétrico.
- Não utilize o aparelho se este tiver caído no chão, se houver sinais visíveis de danos ou se houver fugas.

- CUIDADO: Mantenha o aparelho seco.

- CUIDADO: Não use o aparelho perto de água.

- Não utilize o aparelho com as mãos ou pés húmidos ou descalço.

- Não force o cabo de alimentação. Nunca use o cabo de alimentação para levantar, carregar ou desconectar o aparelho.

- Verifique o estado do cabo de alimentação.

Cabos danificados ou emaranhados aumentam o risco de choque elétrico.

- Mantenha o aparelho afastado de fontes de calor e arestas afiadas.

- Não toque na ficha com as mãos molhadas.

Segurança pessoal:

- Mantenha as possíveis distrações longe de você ao usar o aparelho, pois podem fazer com que você perca a concentração. Use o bom senso ao operar o aparelho. Não use quando estiver cansado ou sob efeito de drogas, álcool ou medicamentos. Um momento de desatenção ao operar este tipo de aparelho pode resultar em lesões pessoais graves.

- Use equipamentos de segurança. Sempre use proteção para os olhos. Equipamentos de segurança como máscara contra poeira, sapatos de segurança antiderrapantes, capacete de segurança ou proteção auditiva usados em condições apropriadas reduzirão os ferimentos pessoais.

- Tome as medidas necessárias para evitar ligar o aparelho involuntariamente.

- Remova a (s) chave (s) de fixação da ferramenta antes de ligar o aparelho. Uma chave ou ferramenta que não esteja bem fixada ao aparelho pode causar acidentes no arranque.



- Não exagere. Mantenha sempre os pés e o equilíbrio adequados. Isso permitirá que você sempre mantenha o controle do aparelho.
- Vista-se adequadamente. Não use roupas ou acessórios largos ou soltos. Mantenha seu cabelo, roupas e luvas longe de peças móveis. Roupas largas, joias ou cabelos compridos podem ficar presos nas peças móveis.
- Use grampos ou um torno para prender o objeto a ser trabalhado no lugar. O trabalho será mais seguro se ambas as mãos estiverem livres para controlar a ferramenta.
- Não toque em nenhuma das partes móveis do aparelho durante o funcionamento.
- Proteja-se do contacto e da inalação do pó criado pelo lixamento de superfícies de madeira e metal e superfícies revestidas com tinta de chumbo. Use equipamento de proteção que esteja em conformidade com os regulamentos de saúde e segurança apropriados.
- No trabalho com amianto / amianto e / ou pedra de sílica, o pó produzido é extremamente prejudicial à saúde. Use proteção contra a inalação deste pó, de acordo com as normas vigentes de prevenção de acidentes.
- Tenha cuidado após empregar a operação de parada no aparelho, pois a ferramenta continuará se movendo devido ao efeito de sua própria inércia mecânica. - Ao trabalhar, tome cuidado para evitar fios elétricos e canos de gás ou água para evitar um choque elétrico.

Use e cuide:

- Não utilize o aparelho se os acessórios não estiverem devidamente colocados.
- Não use o aparelho se os acessórios ou consumíveis acoplados estiverem com defeito. Substitua-os imediatamente.
- Não utilize o aparelho se o interruptor ligar / desligar não funcionar.
- Não force a capacidade de trabalho do aparelho. Use a ferramenta elétrica correta para cada aplicação. A ferramenta elétrica correta fará o trabalho melhor e com mais segurança na velocidade para a qual foi projetada.
- Não abra a (s) bateria (s) em nenhuma circunstância.
- Quando a (s) bateria (s) não estiver (ão) em uso, mantenha-a longe de outros objetos de metal como cliques de papel, moedas, chaves, parafusos ... que podem conectar um terminal a outro.
- Não provoque curto-circuito nos terminais da bateria, pois isso pode causar uma explosão ou incêndio.
- A (s) bateria (s) deve (m) ser armazenada (s) a uma temperatura abaixo de 40°C.
- Evite todo contacto com o líquido que possa ser

liberado da bateria. Em caso de contacto com os olhos, lave-os bem e consulte um médico. O líquido derramado da bateria pode causar irritação ou queimaduras.

- Este aparelho não é um brinquedo. As crianças devem ser supervisionadas para garantir que não brinquem com o aparelho.
- Este aparelho destina-se ao uso adulto. Certifique-se de que este produto não seja usado por pessoas com deficiência, crianças ou pessoas não habituadas ao seu manuseio.
- Este aparelho deve ser guardado fora do alcance de crianças e / ou pessoas com deficiência.
- Mantenha o aparelho em local seco e sem poeira, ao abrigo da luz solar direta.
- Mantenha o aparelho em boas condições. Verifique se as partes móveis não estão desalinhasadas ou emperradas e certifique-se de que não há peças quebradas ou anomalias que possam impedir o funcionamento correto do aparelho.
- Mantenha as ferramentas de corte afiadas e limpas.
- O aparelho pode ser usado em superfícies como: madeira, papelão, plástico, gesso, etc.
- Não use o aparelho em nenhuma parte do corpo de uma pessoa ou animal.

- Utilize o aparelho e seus acessórios e ferramentas de acordo com estas instruções, considerando as condições de trabalho e o trabalho a ser executado. O uso do aparelho para operações diferentes das pretendidas pode resultar em uma situação perigosa.

- Deixe o aparelho funcionando sem carga por 30 segundos em uma posição segura. Se notar vibrações graves ou outros defeitos, pare o aparelho imediatamente. Em seguida, verifique o problema e / ou proceda conforme descrevemos na cláusula

Anomalies and Repair.

- Recarregue a (s) bateria (s) apenas com o carregador fornecido pelo fabricante. Um carregador adequado para um tipo de bateria pode causar risco de explosão ou incêndio quando usado com outra (s) bateria (s).
- Use o dispositivo apenas com a (s) bateria (s) para as quais foi especificamente projetado. O uso de qualquer outra bateria pode causar risco de explosão ou incêndio.

Serviço:

- Certifique-se de que o aparelho é reparado apenas por pessoal especializado e que apenas peças sobressalentes ou acessórios originais são usados para substituir peças / acessórios existentes.
- **ATENÇÃO:** existe o risco de incêndio se a limpeza do aparelho não for efectuada de acordo





com estas instruções.

- Qualquer uso indevido ou não cumprimento das instruções de uso anula a garantia e a responsabilidade do fabricante.

Instalação

Carregando a bateria (Fig 1)

- Atenção: uma bateria nova não está totalmente carregada e deve, portanto, ser carregada antes de o aparelho ser usado pela primeira vez.
- Atenção: Durante o manuseio das baterias, não toque nos dois pólos ao mesmo tempo, pois isso provocará a descarga parcial da energia estocada, afetando a longevidade.
- Carregue a bateria a uma temperatura atmosférica entre 4 e 40°C.
- Conecte o conector do carregador (Fig 1) na parte inferior do cabo da chave de fenda. - Conecte a entrada USB a uma porta USB.
- A luz piloto vermelha (Fig 2) acenderá para indicar que o carregador está carregando a bateria.
- São necessárias cerca de 3 a 5 horas para uma carga completa da bateria. Nunca tente sobrecarregar a bateria (embora seja recomendado que a primeira carga da bateria seja de 5 horas de duração).

Indicação de carregamento:

O indicador LED de nível de bateria (Fig 2a) deve ser capaz de informar a quantidade de carga que há na bateria. Para a indicação pressione o botão (Fig 2b)).

	Carregando		
	•ON	Luz vermelha	Luz verde
Carregador está conectado à rede			
A bateria está			
Bateria totalmente carregada			

NB: Não use o aparelho enquanto estiver conectado ao carregador.

Instruções de uso.

Antes de usar:

- Certifique-se de que toda a embalagem do produto foi removida.
- Antes de usar este produto pela primeira vez, é importante fazer uma carga completa das baterias.

Aparafusar, desparafusar: (Fig 6)

- Insira a broca aparafusadora ou ferramenta /

broca acessória necessária para o trabalho. Para isso, encaixe a extremidade macho hexagonal no encaixe fêmea hexagonal do porta-bits (1) e pressione até que fique firme.

Veja o diagrama abaixo:

Direção de rotação	Mudar de posição (vista de cima)
Charger is connected to the mains	
The battery is charging	

Inserindo / fixando bits de chave de fenda

- Assim que o motor parar, o eixo de transmissão trava automaticamente.
- Insira a broca desejada no soquete sextavado do mandril (fig. 3).

Mudar de bloqueio

- O interruptor ON / OFF pode ser travado na posição OFF. Este recurso pode ser usado para prevenir a possibilidade de inicialização acidental quando não estiver em uso. Para travar o interruptor ON / OFF, coloque a direção da Fig 6 (seletor de rotação (seletor para frente / para trás) na posição central.
- Nota: Quando o seletor está na posição central, o interruptor ON / OFF é bloqueado.

Trepando

- Aplicar a ferramenta elétrica no parafuso apenas quando estiver desligado. As inserções da ferramenta rotativa podem escorregar.
- Coloque a ponta da broca na cabeça do parafuso e aplique pressão na ferramenta. Inicie a ferramenta lentamente e aumente a velocidade gradualmente. Solte o interruptor LIGA / DESLIGA assim que a embreagem ligar.
- Certifique-se de que a broca está inserida em linha reta na cabeça do parafuso, ou o parafuso e / ou a broca podem ser danificados.

Parafusando em madeira

- Ao aparafusar o parafuso na borda do material de madeira deve-se pré-perfurar um orifício piloto, o que reduzirá a probabilidade de rachaduras. Use uma broca com um diâmetro de cerca de 70% do diâmetro do parafuso.
- Recomendamos o uso de parafusos autocentrantes projetados para um trabalho confiável.
- Certifique-se de usar uma broca que corresponda ao formato e tamanho do parafuso.
- Se os parafusos forem difíceis de apertar, tente





aplicar uma pequena quantidade de detergente ou sabão como lubrificante.

Luz LED

- Ao pressionar o botão ON / OFF a luz LED (8) que serve para iluminar o local de trabalho em frente à ferramenta fixada na bucha, acenderá automaticamente.

Ajustando a alça

- Para alterar as posições, pressione o botão de liberação da alça (Fig 4A) e gire a alça para a posição desejada (Fig 4B).

Configurando a velocidade de rotação

- Ao premir o interruptor ON / OFF (fig. 5), pode definir a velocidade de rotação durante o funcionamento em vazio.

- A velocidade de rotação ideal depende da peça de trabalho, do modo de operação e do acessório inserido. Selecione a velocidade aplicando uma pressão maior ou menor ao botão LIGA / DES-LIGA.

Limpeza

- Deixe esfriar antes de realizar qualquer tarefa de limpeza.

- Limpe o equipamento com um pano úmido com algumas gotas de detergente e seque.

- Não use solventes ou produtos com pH ácido ou básico, como lixívia ou produtos abrasivos, para limpar o aparelho.

- Não deixe entrar água ou qualquer outro líquido nas aberturas de ventilação para evitar danos nas partes internas do aparelho.

- Nunca mergulhe o aparelho em água ou qualquer outro líquido, nem o coloque sob água corrente.

- Se o aparelho não estiver em boas condições de limpeza, sua superfície pode degradar e afetar inexoravelmente a duração da vida útil do aparelho e pode se tornar insegura para uso.

Suprimentos

- Use sempre suprimentos originais, projetados especificamente para o modelo do seu aparelho.

- Esses suprimentos estão disponíveis em lojas especializadas.

Anomalias e reparo

- Leve o aparelho a um serviço de assistência técnica autorizado se houver algum produto danificado ou outros problemas. Não tente desmontar ou consertar sem ajuda, pois isso pode ser perigoso.

- Se a ligação à rede estiver danificada, tem de ser substituída e deve proceder como faria em caso de danos.

Reciclando

- Esses produtos elétricos, cabos, baterias, embalagens e o manual não devem ser misturados ao lixo doméstico geral. Para uma reciclagem adequada, leve esses produtos ao escritório da Creative Housewares mais próximo, onde serão aceitos para reciclagem gratuitamente.

- Como alternativa, entre em contato com a autoridade local ou o serviço de coleta de lixo doméstico para obter mais detalhes sobre o ponto de coleta designado mais próximo. O descarte correto do produto economiza recursos e evita efeitos negativos na saúde humana e no meio ambiente.





casals

2 YEAR WARRANTY

Casals guarantees that this product has been thoroughly inspected and tested before being dispatched and is free from mechanical and electrical defects and complies with the applicable safety standards. However, should defects due to faulty material or workmanship develop, under normal domestic use, within 6 months from the date of purchase please return the product to the store from where it was purchased for a full refund or replacement.

The following conditions apply:

1. Please ensure you retain your receipt as this must be presented when making a claim under the terms of the warranty. It is impossible to determine the warranty period without proof of purchase, so please keep this in a safe place.
2. If a refund or exchange is required the product must be complete with all accessories, parts and packaging.
3. Missing parts will render the warranty void.
4. Upon receipt of your appliance check it for any transport damage to ensure it is safe for use. Return it to the store as soon as possible for exchange if damaged. The warranty is void if products are damaged after use, so please do not use the damaged product.
5. Your product is designed for normal domestic household use. Failure to read and comply with the instructions for use, cleaning and maintenance will render your warranty void, so please read these instructions carefully to ensure your safety, and get the most effective use from the product.
6. Any abuse, negligent, improper use will render the warranty void and Creative Housewares (Pty) Ltd will not be liable for any loss or damage.
7. This Warranty will not apply if this tool is damaged by accident or from normal wear and tear.
8. Any attempted repair, or replacement of unauthorised parts will render the warranty void, so please contact an authorised service centre or agent for any service or repair requirements.
9. Accessories such as bits, blades, sanding disc, cutting lines, etc are excluded from this warranty.
10. Normal consumables parts, such as carbon brushes, bearings, chucks, cord assembly's, spark plugs, recoil pulleys and bump head assembly's are specifically excluded from this warranty.

Extended 24 Month Limited Warranty

- Casals takes pride in their product quality and therefore offer an extended 24 month limited warranty from the original date of purchase to offer the consumer peace of mind on their purchase.
- Should defects due to faulty material or workmanship develop, under normal domestic use, within 24 months from the original date of purchase, please return the product to the store from where it was purchased for repair free of charge.
- Casals will however replace a product, if the cost of the repair is not commercially viable or if their ability to conduct repair effectively cannot be guaranteed.
- NB: The warranty on replaced products will be from the original date of purchase.
- All repairs carry a 3 month warranty even if this falls outside of the 2 year warranty period. Casals will attempt to conduct repairs within reasonable industry standards but cannot be held responsible or liable for any circumstances not under their control.

Before returning your product, check for the following:

1. Your household mains supply socket is working and switched on.
2. The mains supply circuit is not overloaded (White trip switch on your DB board is off).
3. You have read the trouble shooting guide in your Instructions for Use.
4. All accessories and parts are present.

If service or repair becomes necessary outside the warranty period, this service is still available however all transport/postage, spares and labour costs will be paid by the consumer. All chargeable repairs will require the consumers' approval in writing once the quote is accepted. Once the go-ahead has been received Casals will undertake to conduct the repair within a reasonable time and maintain the condition of the product as received.

For any assistance, service, queries and complaints please contact our Customer Care on 086 111 5006 or e-mail help@creativehousewares.co.za.

Cape Town

20 Tekstiel Street, Parow, Cape Town,
7493, South Africa • P.O. Box 6156 Parow
East, 7501, South Africa Tel: +27 21 931
8117
Fax: +27 21 931 4058

Durban

243 Percy Osborn Road Morningside,
Durban, South Africa
Tel: +27 31 303 3465
Fax: +27 31 303 8259

Johannesburg

9 Hamburg Road, Aeroport,
Spartan, Johannesburg, South Africa
Tel: +27 11 392 5652
Fax: 086 567 9222





Be on the look-out for these Casals products at your local outlet



CSC36V



CSC36



CSC12



CID18K-2



ID1050REAK



ID810RE



1500/32QREAK+C



DE2000/600



PL82650



BS76810



OS150



SD200



SD75



SA400



SA650PEL



CS184L



R1200EA



AG115500



AG2302000A



SP1200



Casals Power Tools, S.L.
AV. Barcelona, s/n 25790 Oliana Lleida Spain



Casals Power Tools,
20 Tekstiel St, Parow. Cape Town. 7493, RSA

