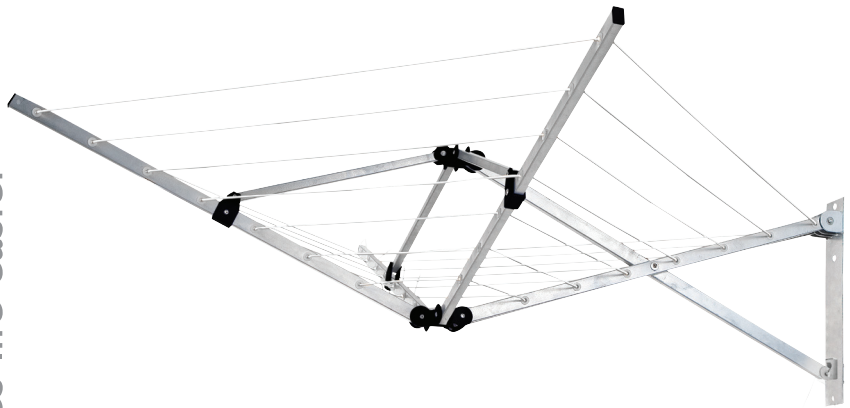


mellerware®

makes life easier

GALE umbrella washline



16 Meters of
drying space

Folds down for
easy storage

Easy lock system

Durable nylon
washing line



m

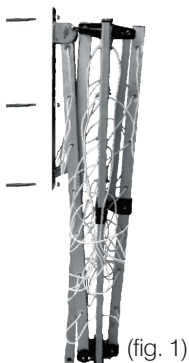
2 YEAR
WARRANTY

Model:
MELCLO3

Umbrella Washline

Setup:

1. Ensure the wall surface that the wash line bracket will be mounted against is smooth and free of obstructions that might prevent it from being securely attached to the wall.
2. The wash line should be secured to the wall using 3 M10 coach screws and wall plugs or the 4 supplied M8 rawl bolts.
3. Hold the wash line bracket vertically against the wall, use a spirit level to make sure the bracket is straight, and mark holes for drilling (fig. 1).



(fig. 1)

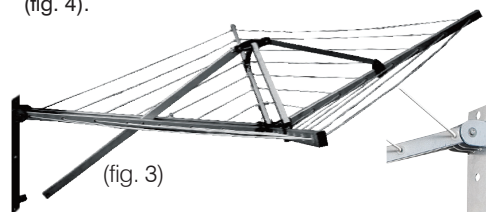


(fig. 2)

4. Drill holes where you have made markings, using an appropriately sized masonry bit.
5. Mount both brackets using coach screws or raw bolts as mentioned in point 2. Tighten until the bracket is securely mounted against the wall (fig 2).
6. Once the bracket has been properly secured, the wash line may now be extended and used.

Use:

1. Extend the wash line by pulling each of the arms away from the centre assembly (fig. 3).
2. Once the arms are fully extended, insert the locking support arm into the housing on the bracket (fig. 3).
3. Insert locking pin to lock the support arm in place (fig. 4).



(fig. 3)



(fig. 4)

4. When the clothes line is no longer required, pull the locking pin out & pull the locking support arm out of the housing and fold down (fig. 2).

General:

1. This wash line is recommended for light to medium weight items, for example; socks, underwear, shorts, shirts, trousers, jackets, sheets etc.
2. In order to prevent the wash line from sagging over time, always ensure that it is evenly loaded with clothing items. This will keep the wash line straight and ensure that the clothing items dry equally.
3. Do not hang on the wash line.
4. When the wash line is not in use, fold it away as explained in the 'Use' section.
5. When folding the wash line away, do not allow the cords to become tangled. Over time the cords will start to sag as a result of tangling.
6. In order for clothes to dry quickly and sufficiently, allow space between the clothing items so that wind and sunlight can pass through.
7. When extending or folding away the arms use the supporting arms to push and pull. Do not use the cords as this creates unnecessary tension and will cause them to sag over time.
8. Do not fold away the wash line while the locking support arm is still locked in place.
9. Do not place any additional tension or strain on the arms or bracket.
10. Mount the wash line where there is sufficient space for the arms to fully extend.

creative housewares

🏠 20 Tekstiel St, Parow, Cape Town, 7493, RSA

✉ P.O. Box 6156 Parow East, 7501, RSA

☎ +27 21 931 8117

☎ +27 21 931 4058

Service Centre Helpline: 086 111 5006

🌐 www.creativehousewares.co.za