

# Lucky<sup>®</sup>

LIFESTYLE



## LA BELLE WALL MOUNTED DRYER

complies with  
INTERNATIONAL  
IEC60335  
SAFETY SPECIFICATIONS

L  
1000W

1YEAR  
WARRANTY

Model:  
WHDDLX1A



PLEASE READ ALL INSTRUCTIONS BEFORE USE

## Dear customer,

Thank you for choosing to purchase a Lucky brand product. Thanks to its technology, design and operation and the fact that it exceeds the strictest quality standards, a fully satisfactory use and long product life can be assured.

## When using an electrical appliance, basic safety precautions should always be followed:

1. Carefully read all instructions before using appliance.
2. Do not immerse in water or other liquids - do not use whilst bathing, with wet hands, or over a filled sink. If the appliance falls into water, disconnect the power plug immediately before removing it out of the water.
3. This appliance is only for domestic use, not for industrial or professional use. It is not intended to be used by guests in hospitality environments such as bed and breakfast, hotels, motels, and other types of residential environments, even in farm houses, areas of the kitchen staff in shops, offices and other work environments. This appliance is not intended for use by persons (including children) with reduced physical, sensory or mental capabilities, or lack of experience and knowledge, unless they have been given supervision or instruction concerning use of the appliance by a person responsible for their safety. This appliance is not a toy. Children should be supervised to ensure that they do not play with the appliance.
4. Unplug the appliance from outlet when not in use and before cleaning. Do not leave appliance unattended when it is operating.
5. If the supply cord is damaged, it must be replaced by the manufacturer or its service agent, or similarly qualified person in order to avoid a hazard.

6. Use appliance only for its intended professional use, namely drying hair.

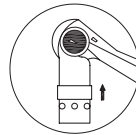
7. This appliance is protected against overheating - it stops automatically if the air inlet is covered. After a short time cooling, the appliance can be restarted.

8. To clean your appliance after use, disconnect the dryer first and wipe with a slightly damp cloth and wipe dry.

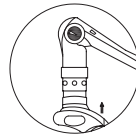
9. Do not use to dry synthetic hair or wigs.

## INSTALLATION PICTURE AND DESCRIPTION

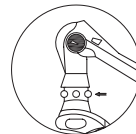
### 1. Installation



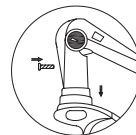
1. Stainless steel, which is placed at the top of the small hole, will be set at the end of the hanging arms.



2. The heads of the machine will be inserted into the hanging arms to absolutely coincide.

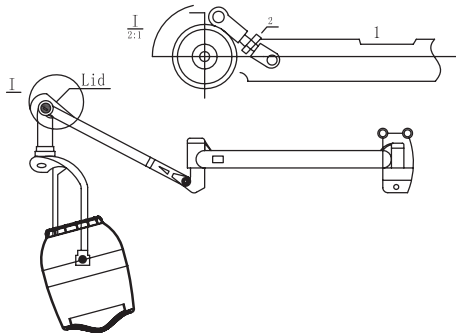


3. Four small steel balls will be moistened with oil. Put the small balls at the end of the hanging arms.



4. Stainless steel will be dragged into the end of the hanging arms, so that it can combine with the heads of the machines. Lastly, tighten it firm with the small nuts.

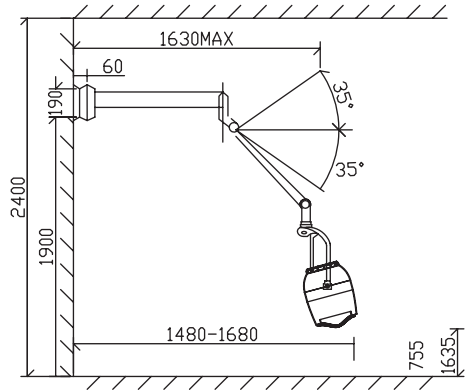
## 2. Crane Adjustment



### Attention:

- If it can not stop anywhere, you shall adjust the slasticity of the hanging arms.
- Open the ornamental cover with professional screwdriver, and adjust sleeve nut of picture one, until the head of the machine can stop at random.

## 3. Crane Installation size and height



### OPERATING INSTRUCTIONS:

- After washing and towel drying your hair and setting hair/treatments on hair, connect the plug of you dryer to a power supply (230V).
- Turn the time switch clockwise to set the time (between 0 and 60 minutes).
- Press the power switch and adjust the temperature control between 0 degrees centigrade (COLD) to 70 degrees centigrade (HOT). Drying is completed.
- Select the desired wind speed between setting I (Low) and II (High).
- Switch off the appliance after use and disconnect the plug from the power supply. Store in a dry, dust free place, out of reach of children.

## Geagte Klient

Baie dankie vir u keuse om 'n Lucky handelsmerk produk te koop. Danksy die tegnologie, ontwerp en werking en die feit dat dit voldoen aan die strengste gehalte standaarde, is u verseker van 'n volle bevredigende gebruik en lang produklewe.

## Wanneer 'n elektriese toestel gebruik word, moet die basiese veiligheidsmaatreëls altyd gevolg word:

1. Lees instruksies noukeuring voor gebruik

2. Moenie in water of ander vloeistowwe druk nie - moenie tydens bad gebruik of met nat hande hanteer of oor 'n gevulde wasbak gebruik nie. As die toestel in die water val, moet die muurprop onmiddellik ontkoppel word voordat dit uit die water verwyder word.

3. Hierdie toestel is slegs vir huishoudelike gebruik, nie vir industriële of professionele gebruik. Dit is nie bedoel om te wees nie wat deur gaste in gasvryheidsomgewings gebruik word bed en ontbyt, hotelle, motelle en ander soorte residensiële omgewings, selfs in plaashuise, areas van kombuispersoneel in winkels, kantore en ander werk omgewings. Hierdie toestel is nie bedoel vir gebruik deur persone (insluitende kinders) met verminderde fisiese, sensoriese of geestelike vermoëns, of gebrek aan onderverinding en kennis, tensy hulle toesig of instruksies aangaande die gebruik van die toestel deur 'n persoon wat verantwoordelik is vir hul veiligheid. Hierdie toestel is nie 'n speelding nie. Kinders moet wees onder toesig om te verseker dat hulle nie met die toestel.

5. As die krag koord beskadig is, moet dit vervang word deur die vervaardiger of sy diensagent of soortgelyke gekwalifiseerde persoon om 'n gevaar te vermy.

6. Gebruik apparaat net vir die beoogde professionele gebruik, naamlik om hare te droog.

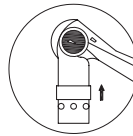
7. Hierdie toestel word beskerm teen oorverhitting - sal outomaties stop as die luginlaat bedek word. Na 'n kort tydjie vanafkoeling kan die toestel herbegin word.

8. Om jou toestel na gebruik skoon te maak, skakel eers die droer af en vee dit af met 'n effens klam lap en maak droog.

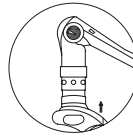
9. Moet nie gebruik word om sintetiese hare of pruike droog te maak nie

## INSTALLASIE FOTOS EN BESKRYWING

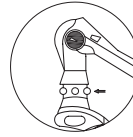
### 1. Installasie



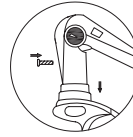
1. Vlekvrye staal wat geplaas is op die kelin gaatjie sal gestel word vir die arms.



2. Die koppe sal in die arms gedruk word en opgelyn word.

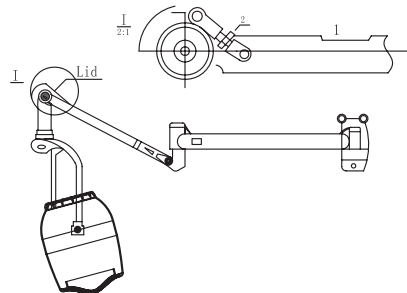


3. Vier klein staal balletjies wat met olie gesmeer is gaan aan die einde van die arms.



4. Vlekvrye staal word aan die einde van die arms gedruk om aan mekaar te sit en maak vas met klein skroewe.

### 2. Kraan verstelling

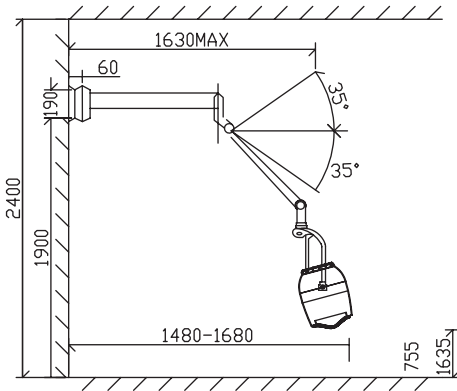


### Aaandag:

A. As dit nie oral kan stop nie, moet jy die slastiteit van die hangende arms aanpas.

B. Maak die ornamentele deksel oop met 'n professionele skroewedraaier, en pas die moer van prent een aan totdat die kop van die masjien willekeurig kan stop.

### 3. Kraan installasie, groote en hoogte



### BEDRYFSINSTRUKSIES:

- Nadat die hare gewas en handdoek gedroog het en hare / behandelings op hare geplaas is, konnekteer die droer aan kragtoevoer (230V).
- Draai die tydskakelaar kloksgewys om die tyd te stel (tussen 0 en 60 minute).
- Druk die kragkakelaar aan en pas die temperatuurbeheer aan tussen 0 grade sentrale (KOEL) tot 70 grade sentrigade (WARM). Drooging is voltooi.
- Kies die verlangde blaas snelheid tussen die instellings I (Laag) en II (Hoog).
- Skakel die apparaat na gebruik af en ontkoppel van die kragtoevoer. Berg in 'n droë, stofvrye plek, buite bereik van kinders.



Lucky guarantees that this product has been thoroughly inspected and tested before being dispatched and is free from mechanical and electrical defects and complies with the applicable safety standards. However, should defects due to faulty material or workmanship develop, under normal domestic use, within 6 months from the date of purchase please return the product to the store from where it was purchased for a full refund or replacement.

The following conditions apply:

- 1) Please ensure you retain your receipt as this must be presented when making a claim under the terms of the warranty. It is impossible to determine the warranty period without proof of purchase, so please keep this in a safe place.
- 2) If a refund or exchange is required the product must be complete with all accessories, parts and packaging. Missing parts will render the warranty void.
- 3) Upon receipt of your appliance check it for any transport damage to ensure it is safe for use. Return it to the store as soon as possible for exchange if damaged. The warranty is void if products are damaged after use, so please do not use the damaged product.
- 4) Your product is designed for normal domestic household use. Failure to read and comply with the instructions for use, cleaning and maintenance will render your warranty void, so please read these instructions carefully to ensure your safety, and get the most effective use from the product. (e.g. lime scale; water deposits; and/or insect infestation)
- 5) Any abuse, negligent, improper or accidental use or care will render the warranty void and Creative Housewares (Pty) Ltd will not be liable for any loss or damage.
- 6) Any attempted repair, or replacement of unauthorised parts will render the warranty void, so please contact an authorised service centre or agent for any service or repair requirements.

#### Extended 12 Month Limited Warranty

Lucky offer an extended 12 month limited warranty from the date of purchase to offer the consumer peace of mind on their purchase. Should defects due to faulty material or workmanship develop, under normal domestic use, within 12 months from the date of purchase, please return the product to the store from where it was purchased for replacement.

Before returning your product, check for the following:

- 1) Your household mains supply socket is working and switched on.
- 2) The mains supply circuit is not overloaded (White trip switch on your DB board is off).
- 3) You have read the trouble shooting guide in your Instructions for Use.
- 4) All accessories and parts are present.

If service or repair becomes necessary outside the warranty period, this service is still available however all transport/postage, spares and labour costs will be paid by the consumer. All chargeable repairs will require the consumers' approval in writing once the quote is accepted. Once the go-ahead has been received Lucky will undertake to conduct the repair within a reasonable time and maintain the condition of the product as received.

All repairs carry a 3 month warranty. Lucky will attempt to conduct repairs within reasonable industry standards but cannot be held responsible or liable for any circumstances not under their direct control.

**National Service Centre: 086 111 5006**

**e-mail: [help@creativehousewares.co.za](mailto:help@creativehousewares.co.za)**

**creative housewares**

web: [www.creativehousewares.co.za](http://www.creativehousewares.co.za)

#### **Cape Town**

20 Tekstiel Street, Parow, Cape Town, 7493, South Africa • P.O. Box 6156 Parow East, 7501, South Africa  
Tel: +27 21 931 8117  
Fax: +27 21 931 4058

#### **Durban**

35 Adrain Road, Windermere, Durban, South Africa, 4001  
Tel: +27 31 303 3465  
Fax: +27 31 303 8259






#### **Johannesburg**

Unit 25 & 26 San Croy Officepark, Die Agora Road, Croydon, 1619  
Tel: +27 11 392 5652  
Fax: +27 11 392 1694

**1 year warranty**

Durban  
35 Adrain Road, Windermere,  
Durban, South Africa, 4001  
Tell: +27 31 303 3465  
Fax: +27 31 303 8259

creative housewares

 20 Tekstiel St, Parow, Cape Town, 7493, RSA  
 P.O. Box 6156 Parow East, 7501, RSA  
 +27 21 931 8117  +27 21 931 4058  
Service Centre Helpline: 086 111 5006  
 [www.creativehousewares.co.za](http://www.creativehousewares.co.za)

Johannesburg  
Unit 25 & 26 San Croy Office Park  
Die Agora Road, Croydon, 1619  
Tell: +27 11 392 5652  
Fax: +27 11 392 1694